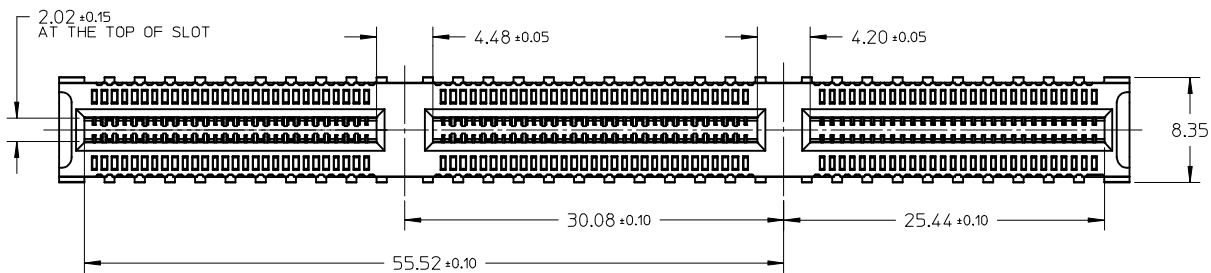
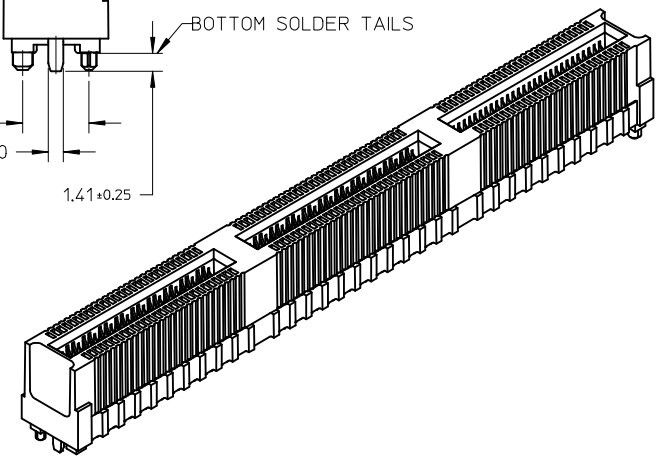
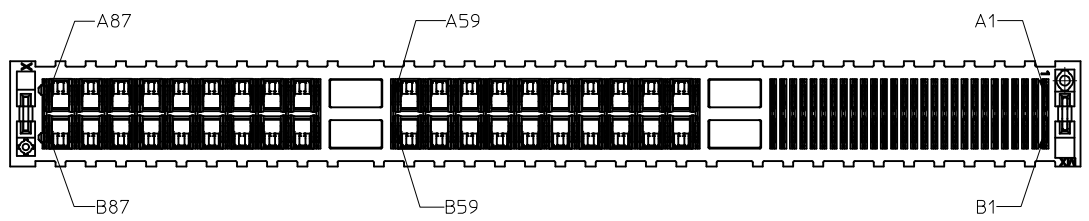
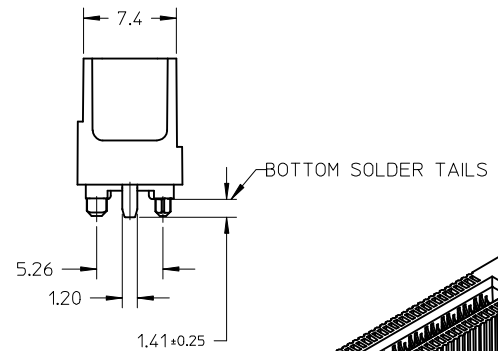
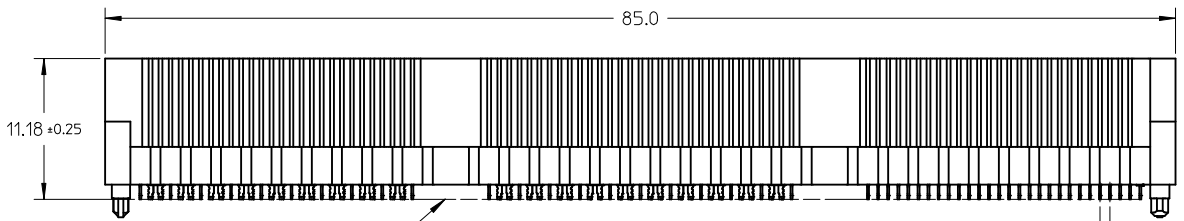


10 9 8 7 6 5 4 3 2 1



MATERIAL NUMBER	PACKAGING SPECIFICATION
151214-2174	PK-151214-0001 (TUBE)
151214-1174	PK-151214-0002 (TRAY)



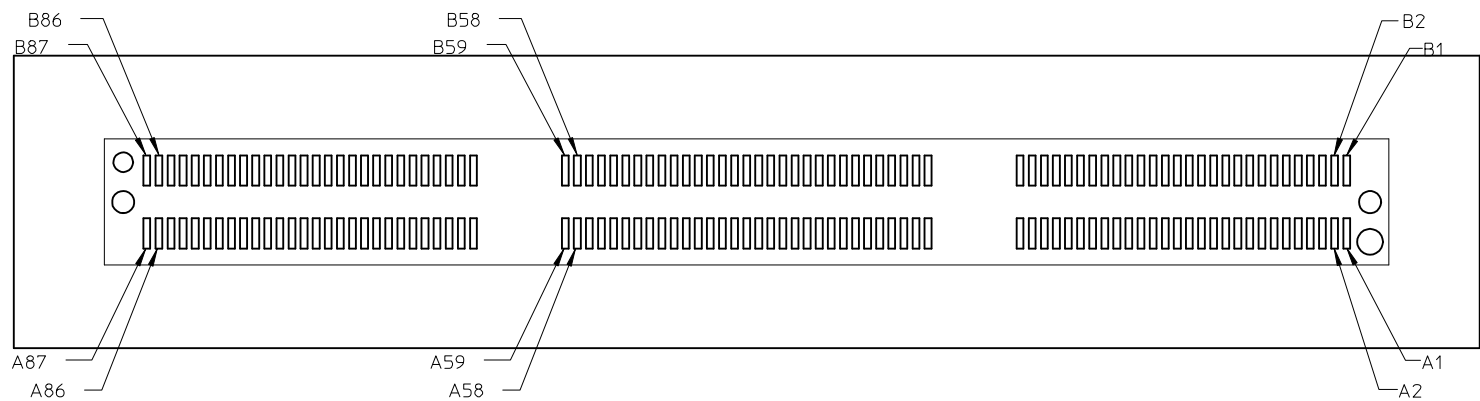
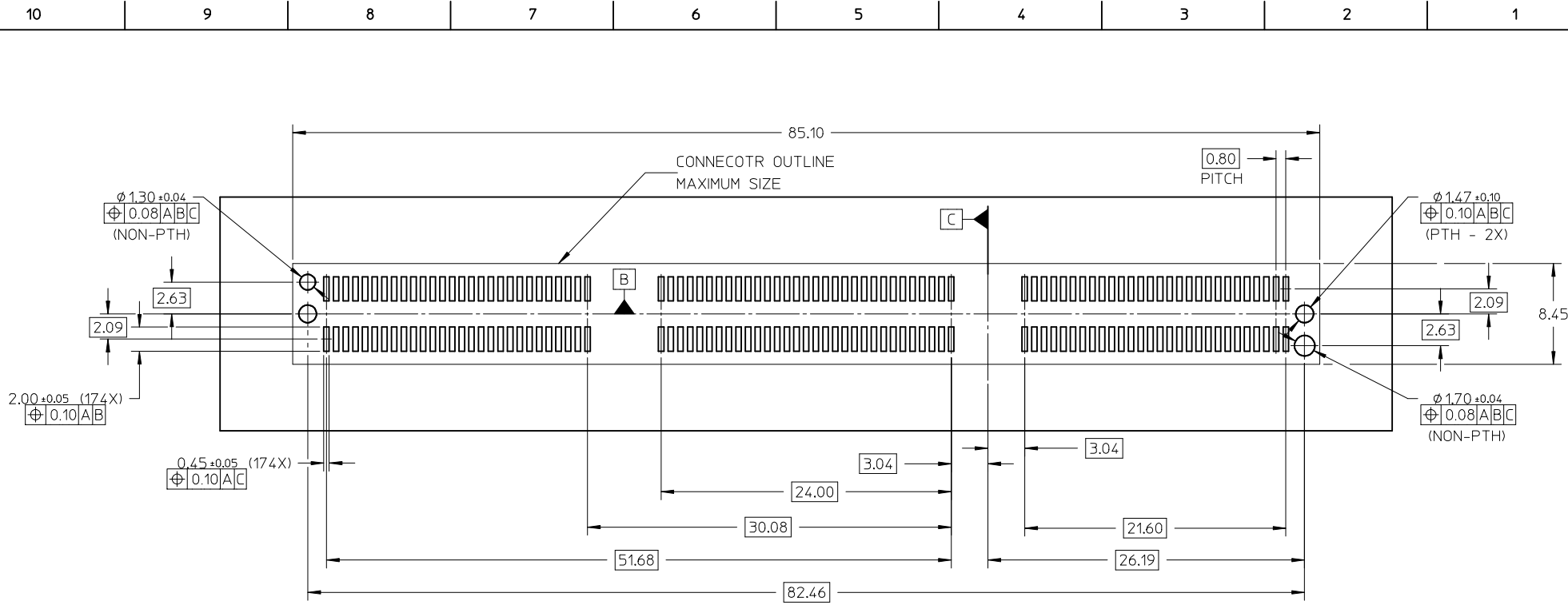
PICK AND PLACE CAP POSITION



- NOTES:
- MATERIALS:
HOUSING - LIQUID CRYSTAL POLYMER, GLASS FILLED, 94-V0, COLOR: BLACK
TERMINALS - COPPER ALLOY
 - FINISH:
CONTACT AREA: SELECTIVE GOLD 0.76 MICROMETER MINIMUM
SOLDER TAIL: 2.54 MICROMETER MINIMUM TIN (MATTE)
UNDERPLATE: 1.27 MICROMETER MINIMUM NICKEL ALL OVER
 - PRODUCT SPECIFICATION: PS-151214-0001.
 - PACKAGING SPECIFICATION: SEE TABLE.
 - APPLICATION SPECIFICATION: AS-151214-0001.
 - MATING PC BOARD THICKNESS = 1.60±0.16mm OVER CONTACT PADS.
 - PRODUCT IS ELV AND ROHS COMPLIANT. LEVEL OF COMPLIANCE:6/7
ALL LEADED SUBSTANCES ARE REMOVED:
Pb (LEAD)
HEXAVALENT CHROMIUM (CrVI)
CADMIUM
MERCURY
POLYBROMINATED BIPHENYL (PBB)
POLYBROMINATED DIPHENYL ETHER (PBDE)
 - THIS PART CONFORMS TO CLASS B REQUIREMENTS OF COSMETIC SPEC PS-45499-002.
 - COPLANARITY OF SOLDER TAIL SHALL NOT EXCEED 0.10MM.

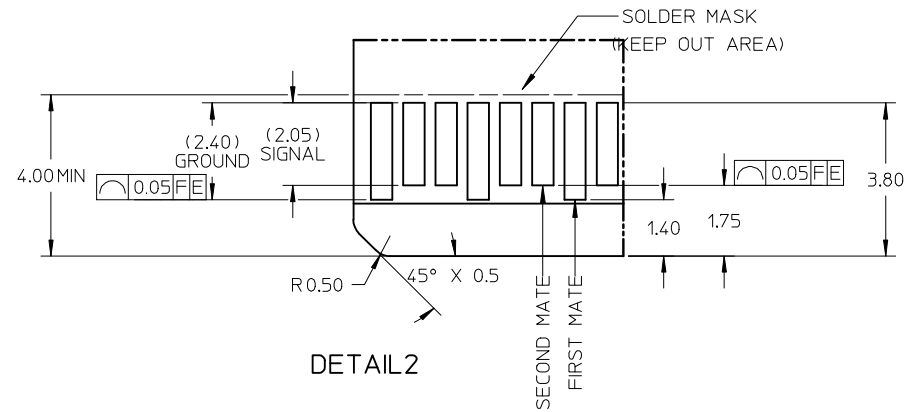
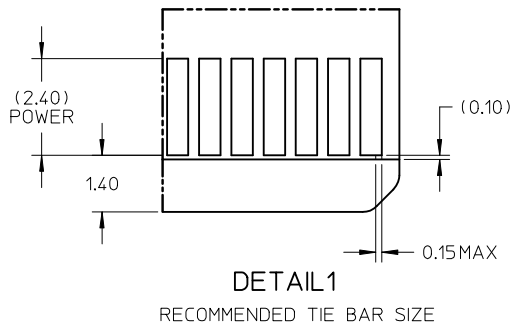
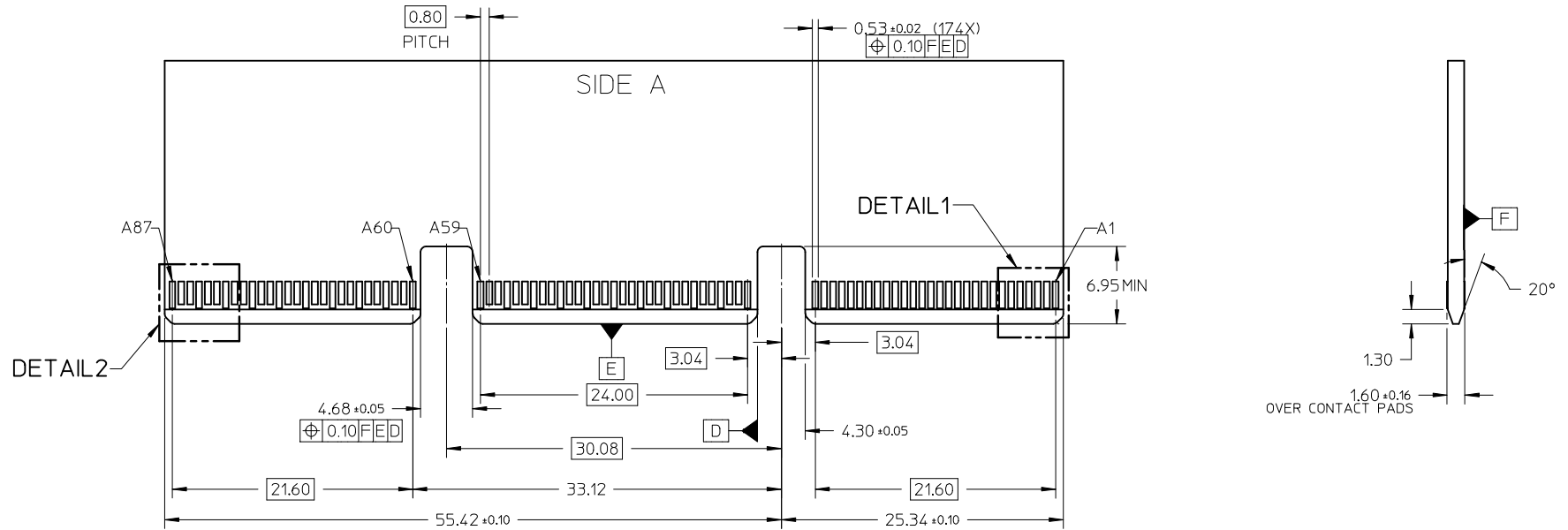
REV. KEY THICKNESS EC NO: S2017-0346 DRW: CCTEH 2016/12/08 CHKD: VMANICKAM 2016/12/29 APPR: SHLENI 2016/12/29	QUALITY SYMBOLS $F_A=0$ $F_C=0$ $F_P=0$	GENERAL TOLERANCES (UNLESS SPECIFIED)		DIMENSION STYLE MM ONLY	SCALE NTS	DESIGN UNITS METRIC	THIRD ANGLE PROJECTION	
		4 PLACES ± --- ± ---	3 PLACES ± --- ± ---	DRAWN BY CCTEH	DATE 2016/06/28	TITLE EDGELINE25 174CKTS .062" PCB 0.8MM PITCH SALES DRAWING		
		2 PLACES ± 0.13 ± ---	1 PLACE ± 0.25 ± ---	CHECKED BY CGTAN	DATE 2016/06/28	APPROVED BY SHLENI		
		0 PLACE ± --- ± ---	ANGULAR ± 1 °	DATE 2016/10/18	MATERIAL NO. SEE TABLE	DOCUMENT NO. SD-151214-2174	SHEET NO. 1 OF 3	
4	DRAFT WHERE APPLICABLE MUST REMAIN WITHIN DIMENSIONS	THIS DRAWING CONTAINS INFORMATION THAT IS PROPRIETARY TO MOLEX INCORPORATED AND SHOULD NOT BE USED WITHOUT WRITTEN PERMISSION						

9 8 7 6 5 4 3 2 1



FOOT PRINT NOTES:
1. DATUM -A- IS THE TOP OF PCB

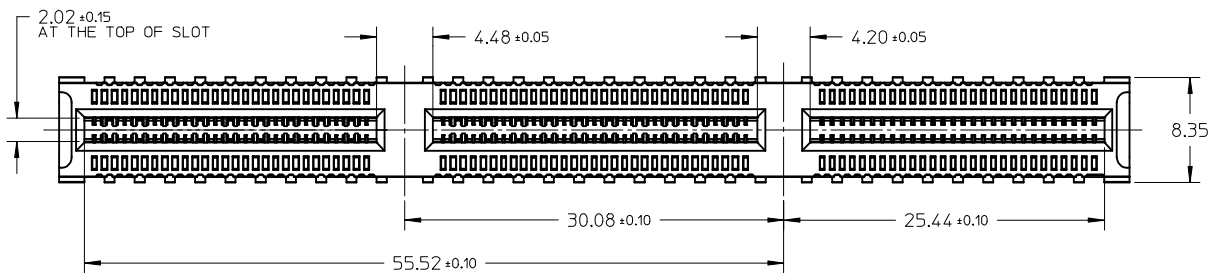
REV. KEY THICKNESS EC NO: S2017-0346 DRW: CCTEH 2016/12/08 CHKD: VMANICKAM 2016/12/29 APPR: SHLENI 2016/12/29	QUALITY SYMBOLS $F_A=0$ $F_G=0$ $F_P=0$	GENERAL TOLERANCES (UNLESS SPECIFIED)		DIMENSION STYLE MM ONLY	SCALE NTS	DESIGN UNITS METRIC	THIRD ANGLE PROJECTION		
		mm	INCH	DRAWN BY CCTEH	DATE 2016/06/28	TITLE EDGELINE25 174CKTS .062" PCB 0.8MM PITCH SALES DRAWING			
		4 PLACES	± ---	± ---	CHECKED BY CGTAN	DATE 2016/06/28			
		3 PLACES	± ---	± ---	APPROVED BY SHLENI	DATE 2016/10/18			
2 PLACES	± 0.13	± ---	SEE TABLE		DOCUMENT NO. SD-151214-2174	SHEET NO. 2 OF 3			
1 PLACE	± 0.25	± ---	DRAFT WHERE APPLICABLE MUST REMAIN WITHIN DIMENSIONS		THIS DRAWING CONTAINS INFORMATION THAT IS PROPRIETARY TO MOLEX INCORPORATED AND SHOULD NOT BE USED WITHOUT WRITTEN PERMISSION				
0 PLACE	± ---	± ---	ANGULAR ± 1 °		SIZE A3				



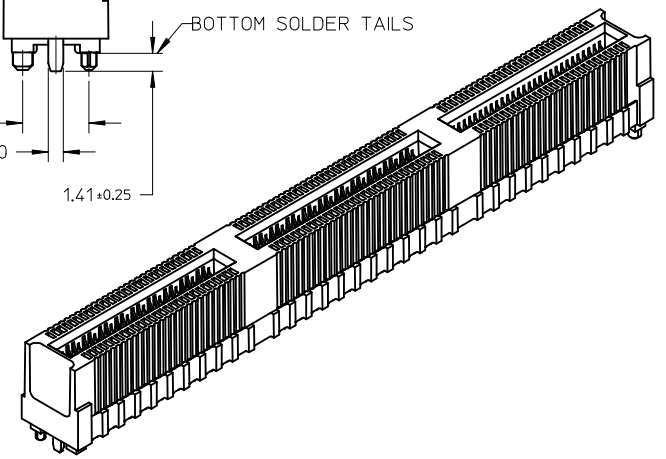
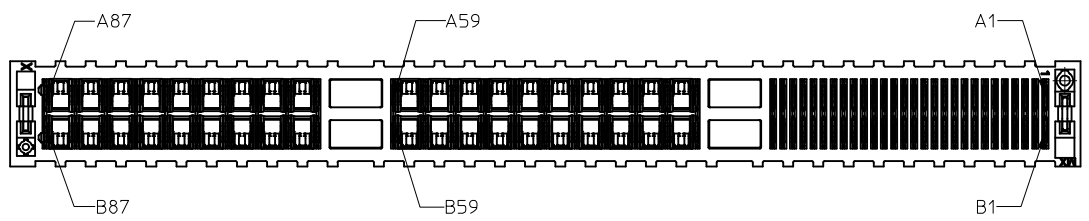
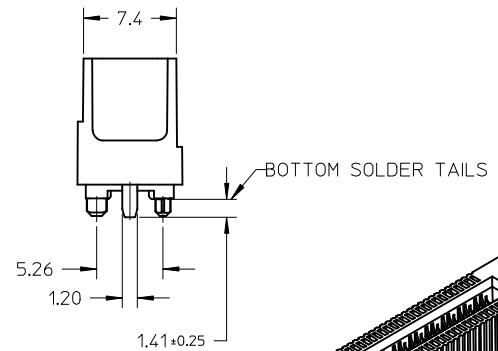
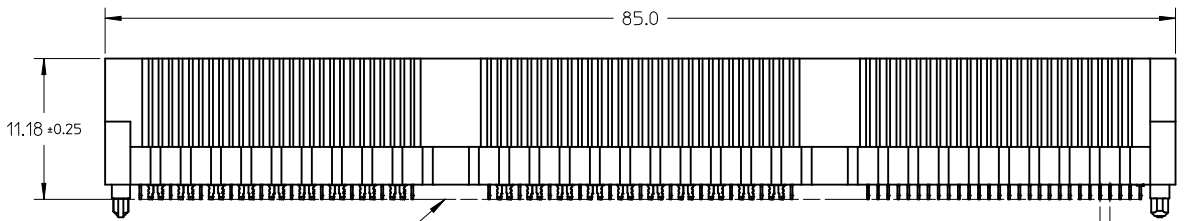
NOTE:
 1. THESE ARE GENERIC DETAILS THAT DESCRIBES THE CONFIGURATION OF VARIOUS PCB DESIGN ELEMENTS. THE CUSTOMER MUST DETERMINE WHERE AND WHEN TO USE EACH ELEMENT TO ACCOMODATE THEIR SPECIFIC APPLICATION.
 2. CHAMFER ROUGHNESS NOT TO EXCEED 3.174m.
 3. EDGE CARD CHAMFER NOT TO GO THRU GOLD PAD.

REV. KEY THICKNESS EC NO: S2017-0346 DRWN: CCTEH 2016/12/08 CHKD: VMANICKAM 2016/12/29 APPR: SHLENI 2016/12/29	QUALITY SYMBOLS F _A =0 F _G =0 F _P =0	GENERAL TOLERANCES (UNLESS SPECIFIED)		DIMENSION STYLE MM ONLY		SCALE NTS	DESIGN UNITS METRIC	THIRD ANGLE PROJECTION		
			mm	INCH	DRAWN BY CCTEH	DATE 2016/06/28	TITLE EDGELINE25 174CKTS .062" PCB 0.8MM PITCH SALES DRAWING			
		4 PLACES	± ---	± ---	CHECKED BY CGTAN	DATE 2016/06/28	molex			
		3 PLACES	± ---	± ---	APPROVED BY SHLENI	DATE 2016/10/18				
2 PLACES	± 0.13	± ---	MATERIAL NO. SEE TABLE		DOCUMENT NO. SD-151214-2174	SHEET NO. 3 OF 3				
1 PLACE	± 0.25	± ---	DRAFT WHERE APPLICABLE MUST REMAIN WITHIN DIMENSIONS							
0 PLACE	± ---	± ---	SIZE A3 THIS DRAWING CONTAINS INFORMATION THAT IS PROPRIETARY TO MOLEX INCORPORATED AND SHOULD NOT BE USED WITHOUT WRITTEN PERMISSION							

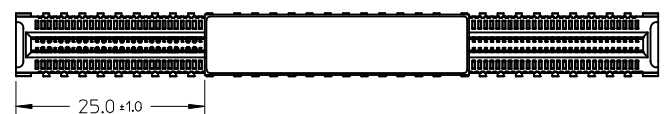
10 9 8 7 6 5 4 3 2 1



MATERIAL NUMBER	PACKAGING SPECIFICATION
151214-2174	PK-151214-0001 (TUBE)
151214-1174	PK-151214-0002 (TRAY)



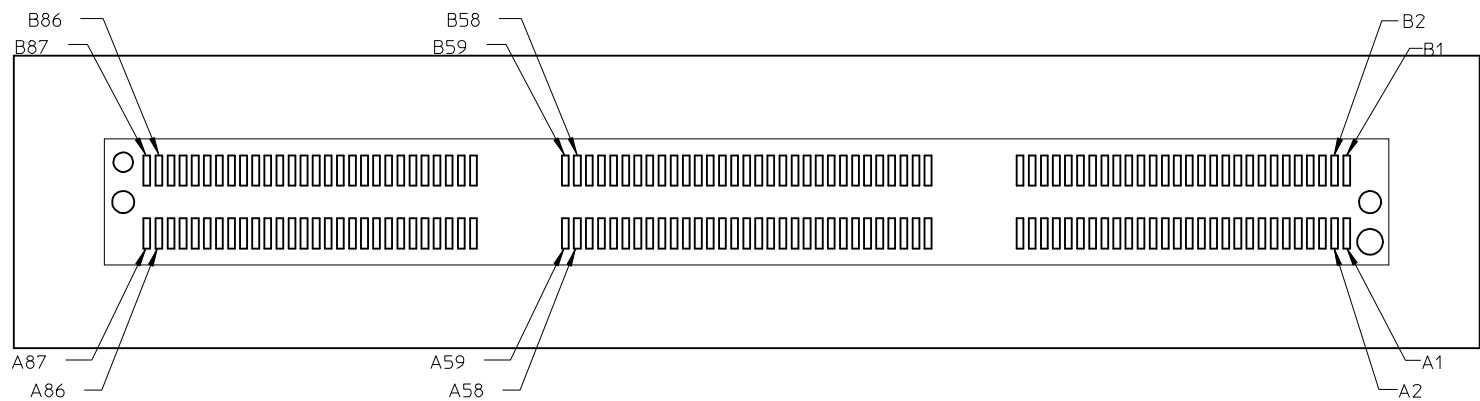
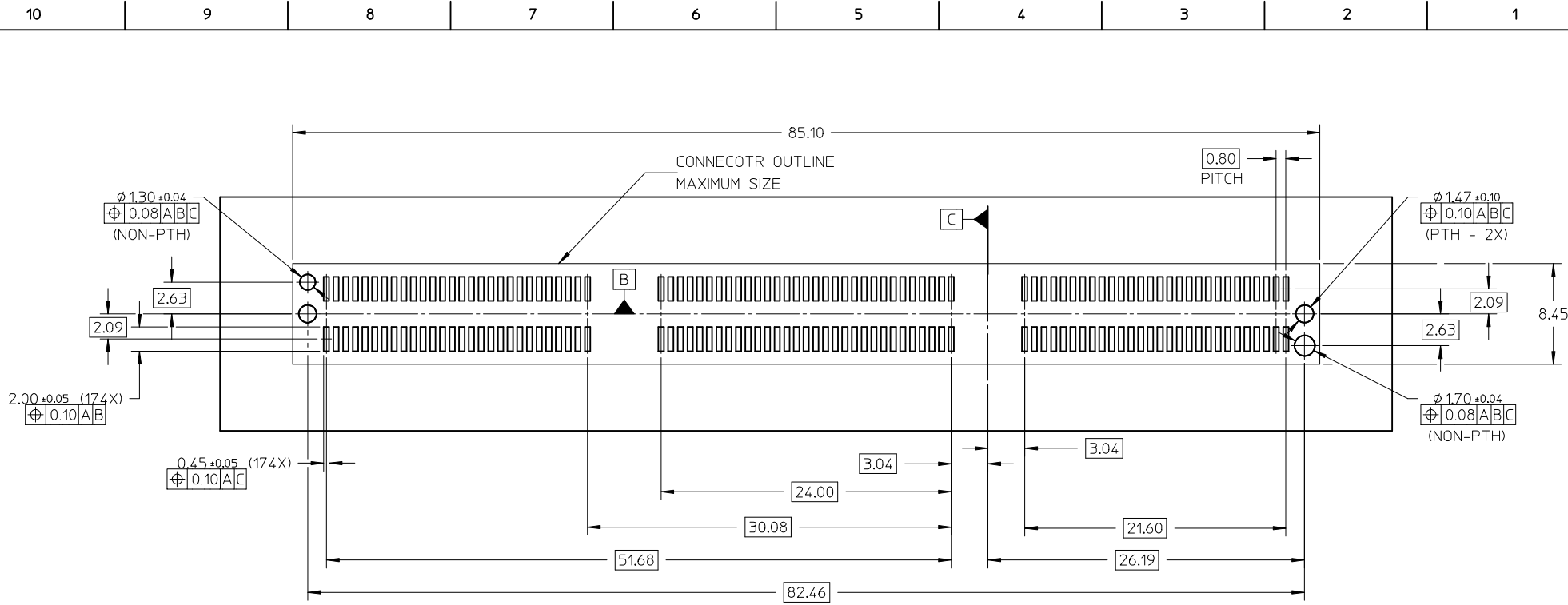
PICK AND PLACE CAP POSITION



- NOTES:
- MATERIALS:
HOUSING - LIQUID CRYSTAL POLYMER, GLASS FILLED, 94-V0, COLOR: BLACK
TERMINALS - COPPER ALLOY
 - FINISH:
CONTACT AREA: SELECTIVE GOLD 0.76 MICROMETER MINIMUM
SOLDER TAIL: 2.54 MICROMETER MINIMUM TIN (MATTE)
UNDERPLATE: 1.27 MICROMETER MINIMUM NICKEL ALL OVER
 - PRODUCT SPECIFICATION: PS-151214-0001.
 - PACKAGING SPECIFICATION: SEE TABLE.
 - APPLICATION SPECIFICATION: AS-151214-0001.
 - MATING PC BOARD THICKNESS = 1.60±0.16mm OVER CONTACT PADS.
 - PRODUCT IS ELV AND ROHS COMPLIANT. LEVEL OF COMPLIANCE:6/7
ALL LEADED SUBSTANCES ARE REMOVED:
Pb (LEAD)
HEXAVALENT CHROMIUM (CrVI)
CADMIUM
MERCURY
POLYBROMINATED BIPHENYL (PBB)
POLYBROMINATED DIPHENYL ETHER (PBDE)
 - THIS PART CONFORMS TO CLASS B REQUIREMENTS OF COSMETIC SPEC PS-45499-002.
 - COPLANARITY OF SOLDER TAIL SHALL NOT EXCEED 0.10MM.

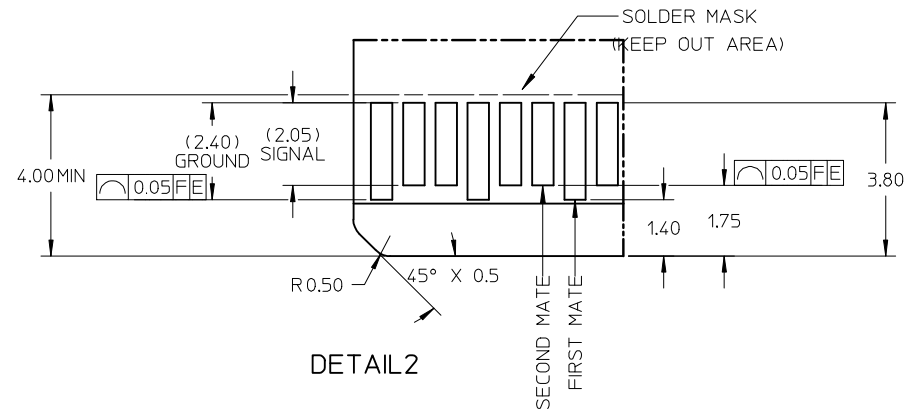
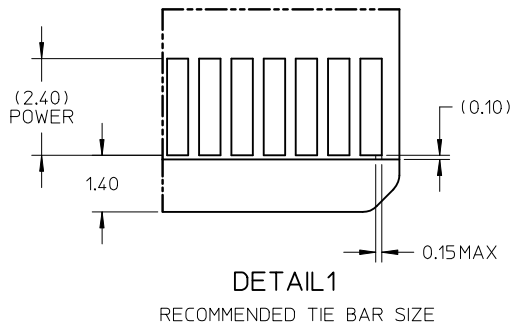
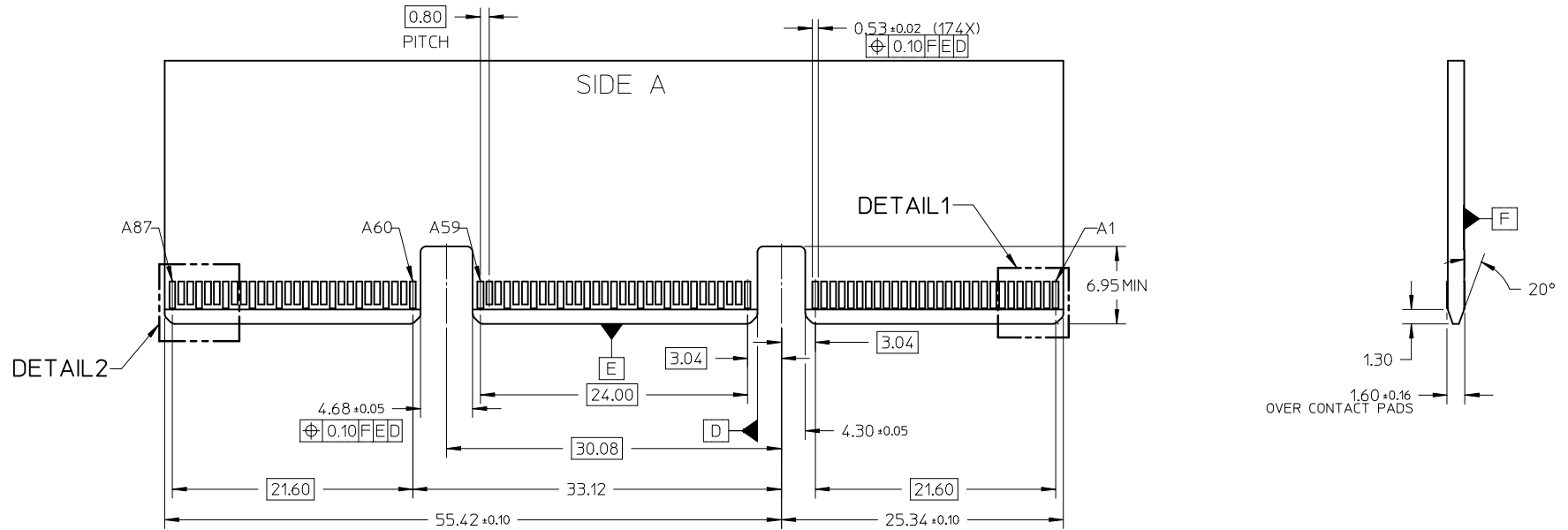
REV. KEY THICKNESS EC NO: S2017-0346 DRW: CCTEH 2016/12/08 CHKD: VMANICKAM 2016/12/29 APPR: SHLENI 2016/12/29	QUALITY SYMBOLS $F_A=0$ $F_C=0$ $F_P=0$	GENERAL TOLERANCES (UNLESS SPECIFIED)		DIMENSION STYLE MM ONLY	SCALE NTS	DESIGN UNITS METRIC	THIRD ANGLE PROJECTION		
		4 PLACES ± --- ± --- 3 PLACES ± --- ± --- 2 PLACES ± 0.13 ± --- 1 PLACE ± 0.25 ± --- 0 PLACE ± --- ± ---	mm INCH	DRAWN BY CCTEH	DATE 2016/06/28	TITLE EDGELINE25 174CKTS .062" PCB 0.8MM PITCH SALES DRAWING			
		ANGULAR ± 1 °		CHECKED BY CGTAN	DATE 2016/06/28	molex			
		DRAFT WHERE APPLICABLE MUST REMAIN WITHIN DIMENSIONS		APPROVED BY SHLENI	DATE 2016/10/18				
4	REV	THIS DRAWING CONTAINS INFORMATION THAT IS PROPRIETARY TO MOLEX INCORPORATED AND SHOULD NOT BE USED WITHOUT WRITTEN PERMISSION							

9 8 7 6 5 4 3 2 1



FOOT PRINT NOTES:
1. DATUM -A- IS THE TOP OF PCB

REV. KEY THICKNESS EC NO: S2017-0346 DRW: CCTEH 2016/12/08 CHKD: VMANICKAM 2016/12/29 APPR: SHLENI 2016/12/29	QUALITY SYMBOLS	GENERAL TOLERANCES (UNLESS SPECIFIED)	DIMENSION STYLE	SCALE	DESIGN UNITS	THIRD ANGLE PROJECTION																		
	$\nabla_A = 0$ $\nabla_C = 0$ $\nabla_P = 0$	<table border="1"> <thead> <tr> <th></th> <th>mm</th> <th>INCH</th> </tr> </thead> <tbody> <tr> <td>4 PLACES</td> <td>± ---</td> <td>± ---</td> </tr> <tr> <td>3 PLACES</td> <td>± ---</td> <td>± ---</td> </tr> <tr> <td>2 PLACES</td> <td>± 0.13</td> <td>± ---</td> </tr> <tr> <td>1 PLACE</td> <td>± 0.25</td> <td>± ---</td> </tr> <tr> <td>0 PLACE</td> <td>± ---</td> <td>± ---</td> </tr> </tbody> </table>		mm	INCH	4 PLACES	± ---	± ---	3 PLACES	± ---	± ---	2 PLACES	± 0.13	± ---	1 PLACE	± 0.25	± ---	0 PLACE	± ---	± ---	MM ONLY	NTS	METRIC	
		mm	INCH																					
	4 PLACES	± ---	± ---																					
3 PLACES	± ---	± ---																						
2 PLACES	± 0.13	± ---																						
1 PLACE	± 0.25	± ---																						
0 PLACE	± ---	± ---																						
ANGULAR ± 1 ° DRAFT WHERE APPLICABLE MUST REMAIN WITHIN DIMENSIONS	DRAWN BY: CCTEH CHECKED BY: CGTAN APPROVED BY: SHLENI DATE: 2016/06/28 DATE: 2016/06/28 DATE: 2016/10/18	TITLE	EDGELINE25 174CKTS .062" PCB 0.8MM PITCH SALES DRAWING																					
4	SEE TABLE	MATERIAL NO.	DOCUMENT NO.	molex SD-151214-2174																				
	SIZE A3	THIS DRAWING CONTAINS INFORMATION THAT IS PROPRIETARY TO MOLEX INCORPORATED AND SHOULD NOT BE USED WITHOUT WRITTEN PERMISSION			SHEET NO. 2 OF 3																			



NOTE:
 1. THESE ARE GENERIC DETAILS THAT DESCRIBES THE CONFIGURATION OF VARIOUS PCB DESIGN ELEMENTS. THE CUSTOMER MUST DETERMINE WHERE AND WHEN TO USE EACH ELEMENT TO ACCOMODATE THEIR SPECIFIC APPLICATION.
 2. CHAMFER ROUGHNESS NOT TO EXCEED 3.174m.
 3. EDGE CARD CHAMFER NOT TO GO THRU GOLD PAD.

REV. KEY THICKNESS EC NO: S2017-0346 DRWN: CCTEH 2016/12/08 CHKD: VMANICKAM 2016/12/29 APPR: SHLENI 2016/12/29	DESCRIPTION	QUALITY SYMBOLS	GENERAL TOLERANCES (UNLESS SPECIFIED)		DIMENSION STYLE	SCALE	DESIGN UNITS	THIRD ANGLE PROJECTION	
		$\nabla_A = 0$ $\nabla_C = 0$ $\nabla_P = 0$	mm	INCH	MM ONLY	NTS	METRIC		
			4 PLACES	± ---	± ---	DRAWN BY	DATE		TITLE
			3 PLACES	± ---	± ---	CCTEH	2016/06/28		EDGELINE25 174CKTS .062" PCB 0.8MM PITCH SALES DRAWING
2 PLACES	± 0.13	± ---	CHECKED BY	DATE		DOCUMENT NO. SD-151214-2174 SHEET NO. 3 OF 3			
1 PLACE	± 0.25	± ---	CGTAN	2016/06/28					
0 PLACE	± ---	± ---	APPROVED BY	DATE	MATERIAL NO. SEE TABLE				
4	REV	ANGULAR ± 1 °	DRAFT WHERE APPLICABLE MUST REMAIN WITHIN DIMENSIONS		SIZE	THIS DRAWING CONTAINS INFORMATION THAT IS PROPRIETARY TO MOLEX INCORPORATED AND SHOULD NOT BE USED WITHOUT WRITTEN PERMISSION			
					A3				