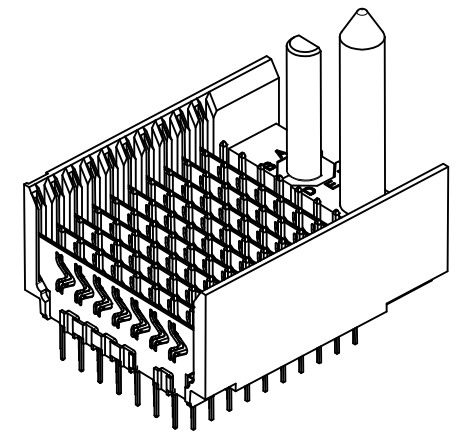
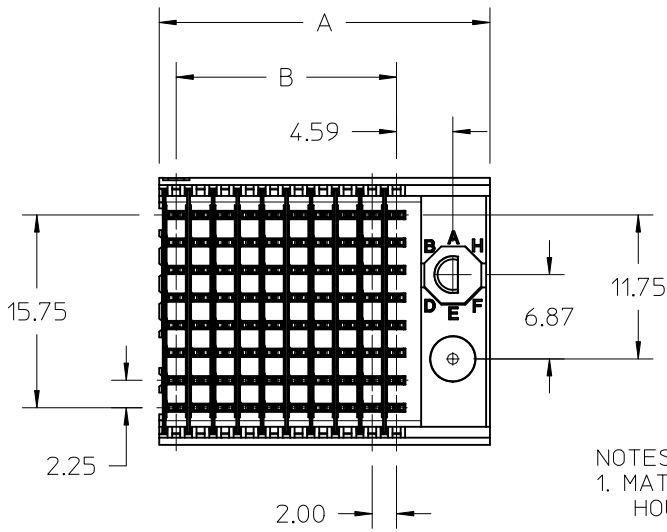
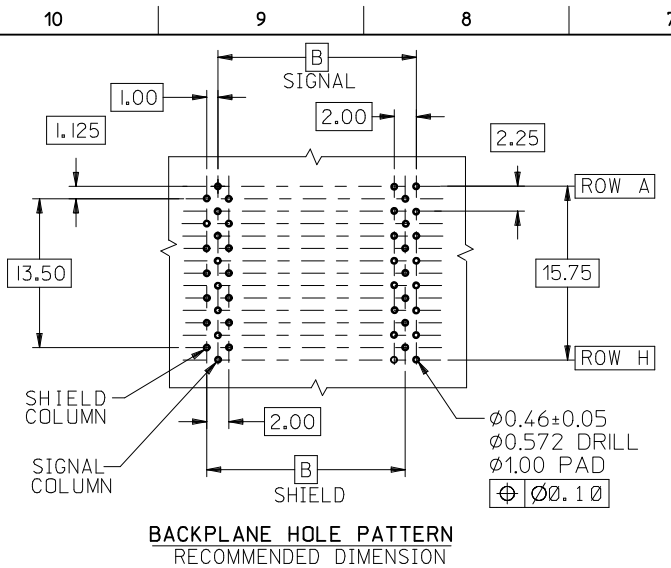


NOTES:

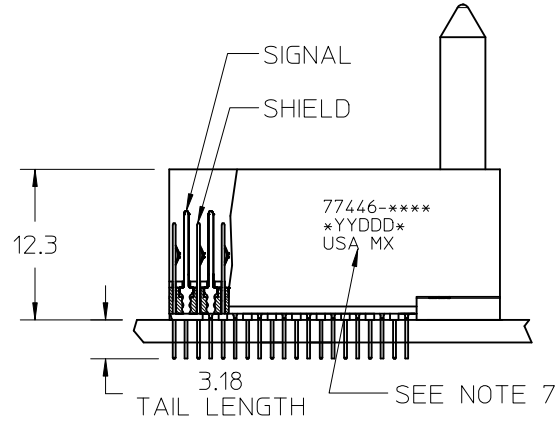
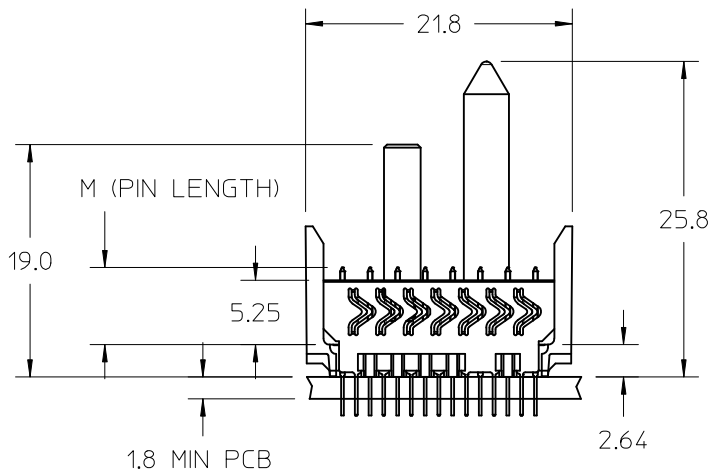
1. MATERIALS:
HOUSING - LIQUID CRYSTAL POLYMER (LCP),
GLASS-FILLED, UL 94V-0, COLOR: BLACK
SIGNAL PIN & SHIELD - COPPER ALLOY
2. FINISHES:
CONTACT AREA: SELECTIVE GOLD (Au)
PCB TAILS: SELECTIVE MATTE TIN (Sn)
NICKEL (Ni) OVERALL.
3. THIS PART CONFORMS TO MOLEX PRODUCT SPECIFICATION PS-74031-999
4. FOR MIXED CONTACT LENGTHS CONSULT MOLEX FOR AVAILABILITY
5. FOR SPECIFIC MATERIAL NUMBERS & MATING INFORMATION REFER TO SHEET 2
6. PACKAGE PER PK-74061-003
7. MARK PART WITH PART NUMBER & DATE CODE APPROXIMATELY WHERE SHOWN
8. MAPS (MOLEX ADVANCED PLATING SYSTEM).

THE PRIMARY CARTON WITH A LABEL STATING "ELV AND RoHS COMPLAINT" IS LEAD FREE. CARTONS WITHOUT THIS LABEL MAY CONTAIN LEAD.

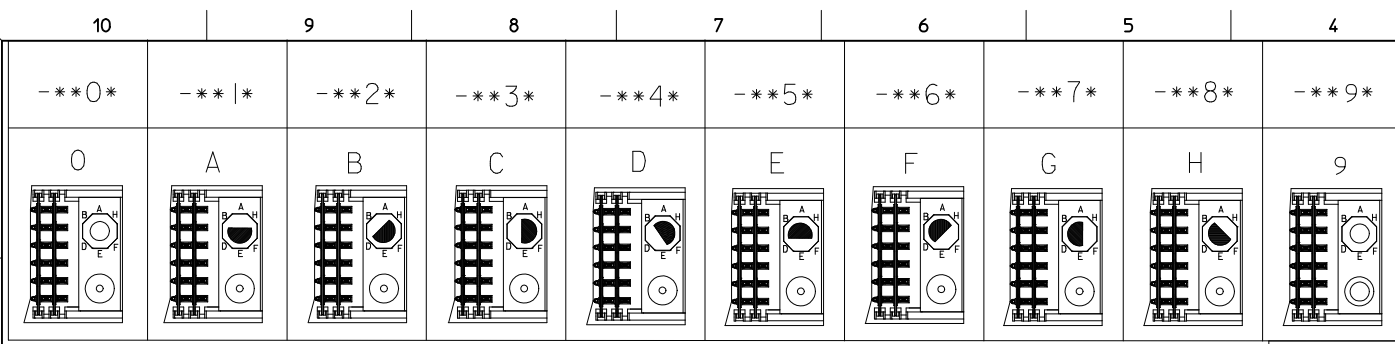
LEAD FREE CONVERSION EC NO: UCP2013-0687 DRAWINGS: 2012/08/23 CHKD:MMOLFE 2012/11/26 APPR:SMILLER 2012/12/14	QUALITY SYMBOLS ∇=0 ∇=0 ∇=0	GENERAL TOLERANCES (UNLESS SPECIFIED) <table border="1"> <thead> <tr> <th></th> <th>mm</th> <th>INCH</th> </tr> </thead> <tbody> <tr> <td>4 PLACES</td> <td>± ---</td> <td>± ---</td> </tr> <tr> <td>3 PLACES</td> <td>± ---</td> <td>± ---</td> </tr> <tr> <td>2 PLACES</td> <td>± ---</td> <td>± ---</td> </tr> <tr> <td>1 PLACE</td> <td>± ---</td> <td>± ---</td> </tr> <tr> <td>0 PLACE</td> <td>± ---</td> <td>± ---</td> </tr> </tbody> </table>		mm	INCH	4 PLACES	± ---	± ---	3 PLACES	± ---	± ---	2 PLACES	± ---	± ---	1 PLACE	± ---	± ---	0 PLACE	± ---	± ---	DIMENSION STYLE MM ONLY DRAWN BY: MWANG DATE: 1998/11/12 CHECKED BY: JLAURX DATE: 1998/11/12 APPROVED BY: CBI XLER DATE: 1998/11/12	SCALE: 2.5:1 DESIGN UNITS: METRIC THIRD ANGLE PROJECTION	TITLE: VHDM 8 ROW SHIELD END BACKPLANE SALES ASSEMBLY molex DOCUMENT NO.: SD-74062-002	SHEET NO.: 1 OF 2
		mm	INCH																					
	4 PLACES	± ---	± ---																					
	3 PLACES	± ---	± ---																					
2 PLACES	± ---	± ---																						
1 PLACE	± ---	± ---																						
0 PLACE	± ---	± ---																						
	ANGULAR ±1/2° DRAFT WHERE APPLICABLE MUST REMAIN WITHIN DIMENSIONS	MATERIAL NO.: SEE SHEET 2	THIS DRAWING CONTAINS INFORMATION THAT IS PROPRIETARY TO MOLEX INCORPORATED AND SHOULD NOT BE USED WITHOUT WRITTEN PERMISSION																					



- NOTES:
- MATERIALS:
HOUSING - LIQUID CRYSTAL POLYMER (LCP),
GLASS-FILLED, UL 94V-0, COLOR: BLACK
SIGNAL PIN & SHIELD - COPPER ALLOY
 - FINISHES: CONTACT AREA: SELECTIVE GOLD (Au)
0.25 OR 0.76 MICROMETERS MINIMUM
PCB TAILS: SELECTIVE MATTE TIN (Sn)
2.54 MICROMETERS MINIMUM; NICKEL (Ni) OVERALL.
 - THIS PART CONFORMS TO MOLEX PRODUCT SPECIFICATION PS-74031-999
 - FOR MIXED CONTACT LENGTHS CONSULT MOLEX FOR AVAILABILITY
 - FOR SPECIFIC MATERIAL NUMBERS & MATING INFORMATION REFER TO SHEET 2
 - PACKAGE PER PK-74061-003
 - MARK PART WITH PART NUMBER & DATE CODE APPROXIMATELY WHERE SHOWN
 - THIS PART CONFORMS TO CLASS "B" REQUIREMENTS OF MOLEX COSMETIC SPECIFICATION PS-45499-002.
 - MAPS (MOLEX ADVANCED PLATING SYSTEM)



CHG TABLE EC NO: UCP2012-4000 DRWN: MWOLFE 2012/06/05 CHKD: MORGAN 2012/06/05 APPR: SMILLER 2012/06/07	QUALITY SYMBOLS $\nabla = 0$ $\nabla = 0$ $\nabla = 0$	GENERAL TOLERANCES (UNLESS SPECIFIED)		DIMENSION STYLE MM ONLY		SCALE 2.5:1	DESIGN UNITS METRIC	THIRD ANGLE PROJECTION		
		mm INCH		DRAWN BY MWOLFE	DATE 2012/04/24	VHDM 8 ROW SHIELD END SOLDER TAIL BACKPLANE SALES DRAWING				
		4 PLACES ± --- ± --- 3 PLACES ± --- ± --- 2 PLACES ± 0.25 ± --- 1 PLACE ± 0.38 ± --- 0 PLACE ± --- ± ---		CHECKED BY SDANNELLEY	DATE 2012/04/24					
		ANGULAR ± 1/2° DRAFT WHERE APPLICABLE MUST REMAIN WITHIN DIMENSIONS		APPROVED BY SMILLER	DATE 2012/04/27	MATERIAL NO. SEE TABLE	DOCUMENT NO. SD-77446-001	SHEET NO. 1 OF 2		
B	REV	SIZE B		THIS DRAWING CONTAINS INFORMATION THAT IS PROPRIETARY TO MOLEX INCORPORATED AND SHOULD NOT BE USED WITHOUT WRITTEN PERMISSION						



MATERIAL NUMBER ASSIGNMENT

KEY ORIENTATION

NO GUIDE PIN
NO KEYING PIN

77446-****

NUMBER OF COLUMNS/PLATING
 70 = 10 COLUMN MATTE TIN 0.25µm GOLD
 75 = 25 COLUMN MATTE TIN 0.25µm GOLD
 90 = 10 COLUMN MATTE TIN 0.76µm GOLD
 85 = 25 COLUMN MATTE TIN 0.76µm GOLD

PIN HEIGHT
 1 = 4.75
 2 = 6.25
 3 = 4.25
 4 = 5.15

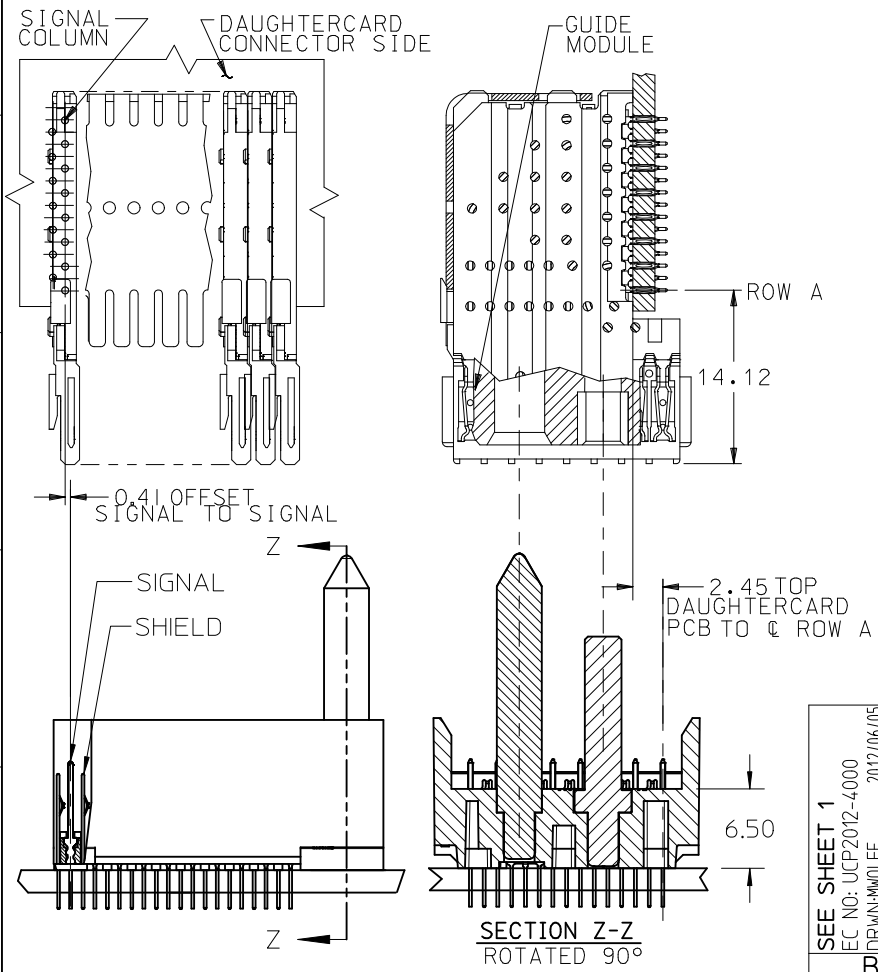


TABLE 1

PART NUMBER	PIN LENGTH (M)	COLUMN	NUMBER OF SIGNALS	NUMBER OF SHIELDS	A	B	GOLD (µm) THICKNESS
77446-70**	LAST *	10	60	10	20.00	18.00	0.25 MAPS (SEE NOTE 9)
77446-75**	* = 1 - 4 1 = 4.75	25	150	25	50.00	48.00	
77446-90**	2 = 6.25 3 = 4.25	10	60	10	20.00	18.00	0.76
77446-85**	4 = 5.15	25	150	25	50.00	48.00	

SEE SHEET 1 EC NO: UCP2012-4000 DRAWN: MWOLFE 2012/06/05 CHKD: DMORGAN 2012/06/05 APPR: SMILLER 2012/06/07 B	QUALITY SYMBOLS $\nabla/0$ $\nabla/0$ $\nabla/0$	GENERAL TOLERANCES (UNLESS SPECIFIED) mm INCH	DIMENSION STYLE MM ONLY	SCALE 2.5:1	DESIGN UNITS METRIC	THIRD ANGLE PROJECTION
		4 PLACES ± --- ± --- 3 PLACES ± --- ± --- 2 PLACES ± 0.25 ± --- 1 PLACE ± 0.38 ± --- 0 PLACE ± --- ± ---	DRAWN BY DATE MWOLFE 2012/04/24 CHECKED BY DATE SDANNELLEY 2012/04/24 APPROVED BY DATE SMILLER 2012/04/27	TITLE VHDM 8 ROW SHIELD END SOLDER TAIL BACKPLANE SALES DRAWING	DOCUMENT NO. SD-77446-001	SHEET NO. 2 OF 2
		ANGULAR ± 1/2° DRAFT WHERE APPLICABLE MUST REMAIN WITHIN DIMENSIONS	MATERIAL NO. SEE TABLE	molex		

THIS DRAWING CONTAINS INFORMATION THAT IS PROPRIETARY TO MOLEX INCORPORATED AND SHOULD NOT BE USED WITHOUT WRITTEN PERMISSION