



Phoenix Contact Inc.
P.O. BOX 4100
Harrisburg, PA 17111-0100
Phone: 717-944-1300
Fax: 717-944-1625

Product Change Notification

PCN-ICC-6761-2021

Business Unit	Product Line Code	Type of Change	Action	Date of Issue
ICC - Industrial Cabinet	BE2	Product Change Notification	Notify Distributors and Field	3/30/2021

The following Phoenix Contact products have been modified. Existing specifications will be met or exceeded. Please review and acknowledge this document and inform your personnel as needed.

Description for Product Change Notification

Installation space enlarged in the housing for component installation.

Stock Status

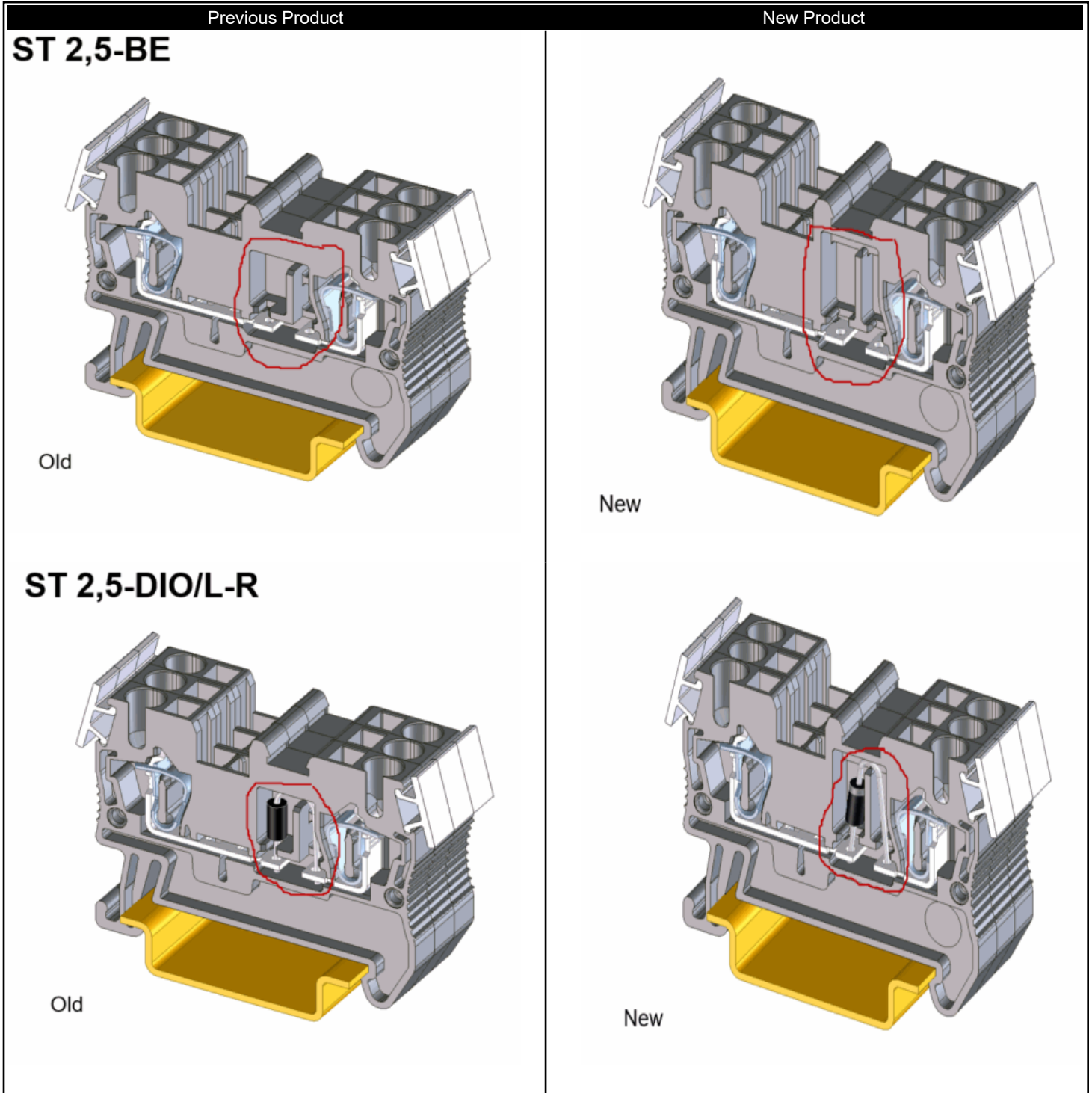
Can existing stock still be used? Yes
Is mixture of stock acceptable? No

Transaction Dates

Date modification goes into effect from Germany: 9/30/2021
Expected first shipment (from Phoenix Contact) of the modified products(s): 3/30/2022



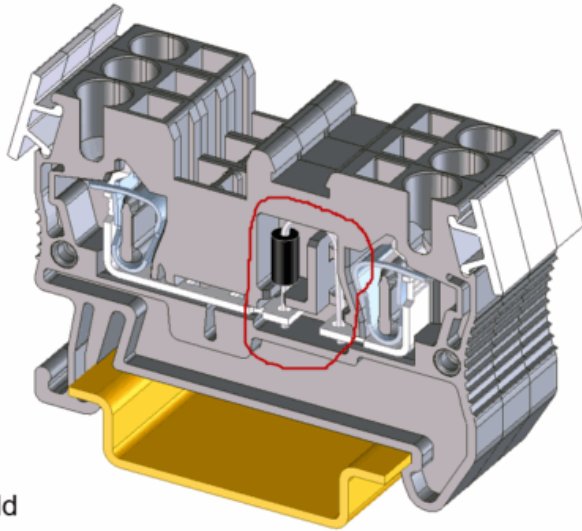
Product Change Notification



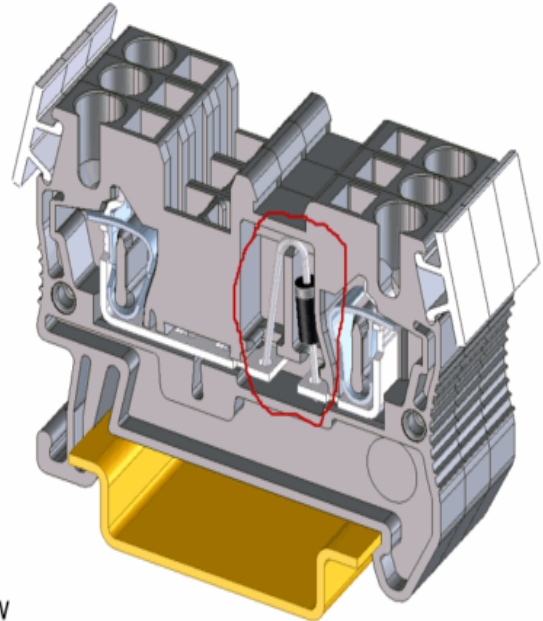


Product Change Notification

ST 2,5-DIO/R-L



Old



New

Should you have any issues with the timeline or content of this product change, please contact Phoenix Contact using the information below. Customers should acknowledge receipt of the PCN within 30 days of delivery of the PCN; provided, however, that the failure to acknowledge receipt does not affect the product change or the effective date thereof.

Contact Info:

Cory Myer
cmyer@phoenixcontact.com

Thank you,

Alan P. Sappe

Alan Sappe

Product Marketing Manager - Industrial Cabinet Conn.



Phoenix Contact Inc.
P.O. BOX 4100
Harrisburg, PA 17111-0100
Phone: 717-944-1300
Fax: 717-944-1625

Product Change Notification

Part #	Type Description
3036260	ST 2,5-BE
3036262	ST 2,5-DIO/L-R
3036518	ST 2,5-DIO/R-L