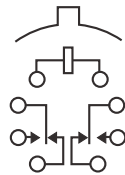


Double Pole, Electrically Held, 1 Amp and Less (Continued)

HM, HMD, HS, HSD



HM, HS
Standard / Sensitive TO-5
Commercial Relay



Terminal View

Product Facts

- Hermetically sealed
- Spreader Pads
- Excellent RF switching

Electrical Characteristics

Contact Arrangement —
2 Form C (DPDT)

Contact Material —
Stationary —
Gold/platinum/palladium/silver alloy
(gold plated)

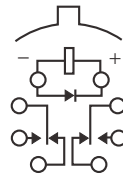
Moveable —
Gold/platinum/palladium/silver alloy
(gold plated)

Contact Resistance —
Before Life — 100 milliohms max.
(measured @ 10 mA @ 6 Vdc)

After Life — 200 milliohms max.
(measured @ 1 A @ 28 Vdc)

Mechanical Life Expectancy —
1 million operations

HMD, HSD
Standard / Sensitive TO-5
Diode Suppressed
Commercial Relay



Terminal View

Product Facts

- Suppression Diode
- Hermetically sealed
- Spreader Pads
- Excellent RF switching

Electrical Characteristics

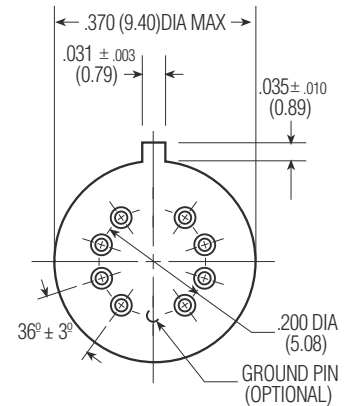
Coil Voltage —
5 to 30 Vdc (HM/HMD)
5 to 48 Vdc (HS/HSD)

Coil Power —
HM/HMD — 675 mW max. @ 25°C
HS/HSD — 565 mW max. @ 25°C

Duty Cycle — Continuous

Pick-up Voltage — Approximately
70% of nominal coil voltage

Pick-up Sensitivity —
HM/HMD — 180 mW max. @ 25°C
HS/HSD — 90 mW max. @ 25°C



Header

Contact Ratings

Contact Load	Type	Operations Min.
1.0 A @ 28 Vdc	Resistive	100,000
250 mA @ 115 Vac, 60 Hz & 400 Hz	Resistive (Case not grounded)	100,000
100 mA @ 115 Vac, 60 Hz & 400 Hz	Resistive	100,000
0.2 A @ 28 Vdc	Inductive (0.32 Henry)	100,000
0.1 A @ 28 Vdc	Lamp	100,000
30 μA @ 50 mVdc	Low Level	1,000,000

Double Pole, Electrically Held, 1 Amp and Less (Continued)

HM, HMD, HS, HSD

(Continued)

Operating Characteristics

Timing —

- Operate Time —
- HM/HMD — 4.0 ms max.
- HS/HSD — 6.0 ms max.
- Release Time —
- HM — 3.0 ms max.
- HS — 3.0 ms max.
- HMD — 6.0 ms max.
- (suppression diode)
- HSD — 7.5 ms max.
- (suppression diode)

Dielectric Withstanding Voltage —

- Between Open Contacts —
- 350 Vrms 60 Hz
- Between Adjacent Contacts —
- 350 Vrms 60 Hz
- Between Contacts & Coil —
- 350 Vrms 60 Hz

Insulation Resistance —

1,000 megohms @ 500 Vdc

Environmental Characteristics

Temperature Range —

-55°C to +85°C

Weight —

- HM/HMD —
- 0.09 oz. (2.55 gms)
- 0.099 oz. (2.80 gms) w/ spreader pad
- HS/HSD —
- 0.12 oz. (3.40 gms)
- 0.129 oz. (3.45 gms) w/ spreader pad

Vibration Resistance —

10 G's, 10 to 500 Hz

Shock Resistance —

30 G's, 6 ±1 ms

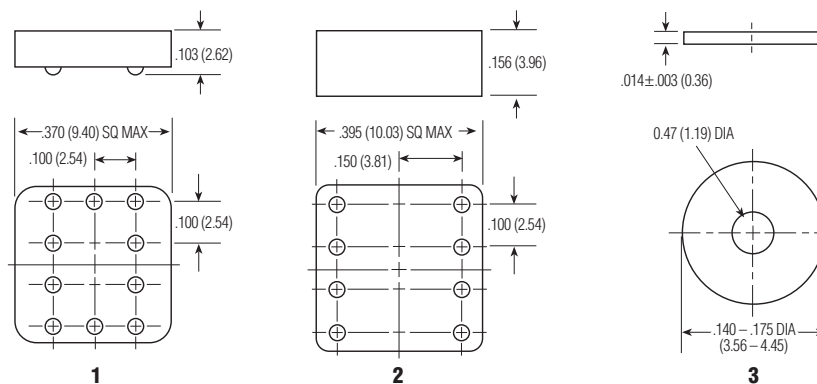
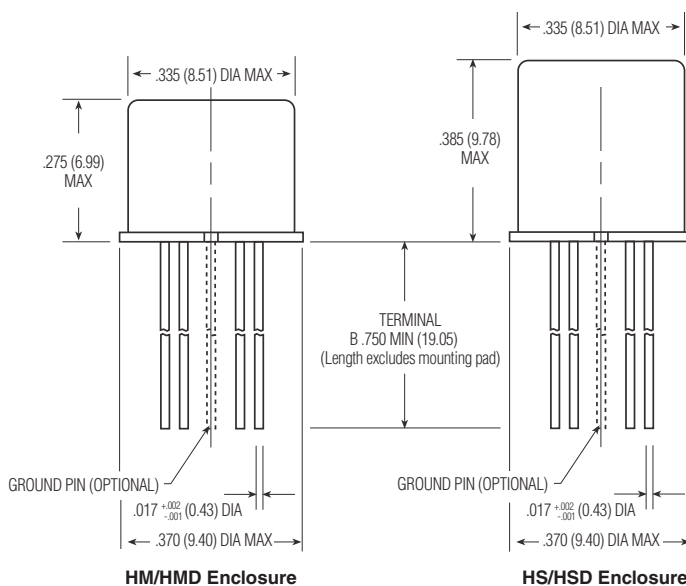
Semiconductor Characteristics

Diode —

- 100 Vdc peak inverse voltage (PIV)
- 1.0 Vdc max. transient voltage

Standard Coil Data

	Nom. Coil Voltage (Vdc)	Coil Resistance in Ohms ±20% @ 25°C	Pickup Voltage Vdc (max.) @ 25°C	Nom. Coil Power (mW) @ 25°C	Max. Coil Voltage	Coil Desig.
HM/HMD	5.0	50	3.6	500	5.8	5
	6.0	98	4.2	367	8.0	6
	9.0	220	6.5	368	12.0	9
	12.0	390	8.4	369	16.0	12
	18.0	880	13.0	368	24.0	18
	26.5	1,560	17.0	450	32.0	26
HS/HSD	30.0	2,500	22.0	360	36.0	30
	5.0	100	3.5	250	7.5	5
	6.0	200	4.5	180	10.0	6
	9.0	400	6.8	203	15.0	9
	12.0	850	9.0	169	20.0	12
	18.0	1,600	13.5	203	30.0	18
	26.5	3,300	18.0	213	40.0	26
	36.0	6,500	24.0	199	57.0	36
	48.0	11,000	32.0	209	75.0	48



Spreader and Mounting Pads

Ordering Instructions

Catalog-selected Relays: The catalog number is derived by choosing the proper CODE for each of the relay characteristics in the order in which the codes are listed.

Specifying a Part Number Example:

Type	Diodes	Ground Pin	Spreader/Mounting Pads	Coils	Terminals
HM	D	X	3	-26	B