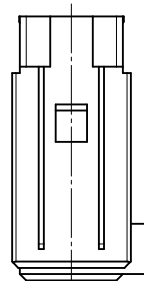
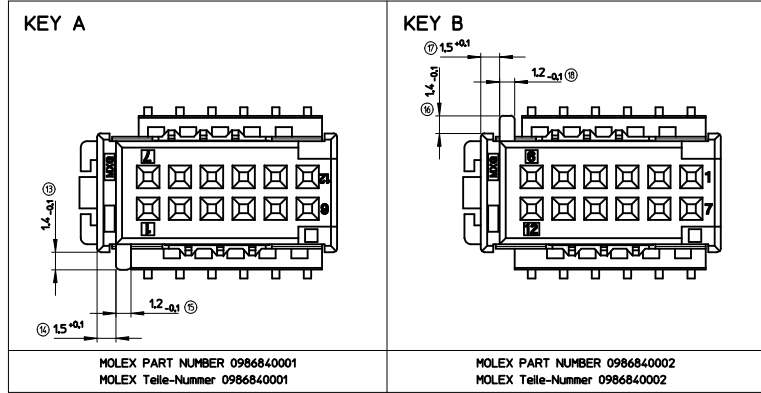


DELIVERY POSITION  
Lieferposition



LOCKED POSITION  
endverrastet



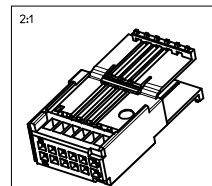
MOLEX PART NUMBER 0986840001  
MOLEX Teile-Nummer 0986840001

MOLEX PART NUMBER 0986840002  
MOLEX Teile-Nummer 0986840002

NOTES  
Bemerkungen

- 1 - PARTS FITS INTO MOST MASTER RECEPTACLE ASSEMBLY P/N 0986811001. Modul paßt in den Most Master Aufnahmerahmen Teile-Nr. 0986811001.
- 2 - DRAFT ANGLE INCLUDED IN THE TOLERANCE AREA IF NOT DESCRIBED OTHER WISE. Entformungsschraen innerhalb des Toleranzbereiches wenn nicht anders beschrieben.
- 3 - NO SHARP OUTSIDE EDGES PERMITTED. OUTSIDE EDGES HAVE TO BE ROUNDED OR CHAMFERED. Keine scharfen Aussenkanten zulässig. Außenkanten verrundet oder mit Fase.
- 4 - RADIUS R0.3 IF NOT OTHERWISE SPECIFIED. Radien R0.3 wenn nicht anders spezifiziert.
- 5 - PART ARE SUITABLE FOR MOX 0.635 FEMALE TERMINAL ACC. TO MOLEX-DRAWING NO. SD-98658-004: WIRE SIZE MOLEX P/N  
0.22 - 0.5mm<sup>2</sup> 0986581213  
0.22 - 0.6mm<sup>2</sup> 0986581211  
0.75mm<sup>2</sup> 0986581212  
Passend zu MOX 0.635 Buchsen Kontakt laut Molex-Zeichnung SD-98658-004:  
Drahtgröße MOLEX Teile-Nr.  
0.22 - 0.5mm<sup>2</sup> 0986581213  
0.22 - 0.6mm<sup>2</sup> 0986581211  
0.75mm<sup>2</sup> 0986581212
- 6 - PARTS ARE SUITABLE FOR MOS FEMALE TERMINAL: WIRE SIZE TYCO P/N  
MOS 0.14 - 0.22mm<sup>2</sup> Sn 0-1355 717-1  
MOS 0.2 - 0.5 mm<sup>2</sup> Sn 0-928 999-1  
MOS 0.75mm<sup>2</sup> Sn 0-963 715-1  
Passend zu MOS Buchsen Kontakt:  
Drahtgröße TYCO Teile-Nr.  
MOS 0.14 - 0.22mm<sup>2</sup> Sn 0-1355 717-1  
MOS 0.2 - 0.5 mm<sup>2</sup> Sn 0-928 999-1  
MOS 0.75mm<sup>2</sup> Sn 0-963 715-1
- 7 - ENGINEERING CONTROL ID: MXG Identifikation der verantwortlichen Entwicklungszentrum: MXG
- 8 - CIRCUIT-MARKING, CHARACTER HEIGHT: 0.8mm Kammerkennzeichnung, Schrifthöhe: 0.8mm
- 9 - CAVITY NO. Nest Nr.
- 10 - REVISION LEVEL (TOOL) Revisionsstand (Werkzeug)
- 11 - REVISION LEVEL (PART) Revisionsstand (Teil)
- 12 - MATERIAL MARKING: >PBT-GF0< Materialkennzeichnung: >PBT-GF0<
- 13 - PRODUCTION CLOCK Produktionsuhr
- 14 - KEY B SHOWN Kädierung B dargestellt

MOLEX P/N MOLEX Teile-Nr.	MATERIAL/ Werkstoff	COLOUR/ Farbe	DESCRIPTION/ Beschreibung	WEIGHT (CALCULATED) Gewicht (ferrechnet)
0986840001	PBT GF0%	BLACK/ schwarz	MOST RCPT HSG MOX 0.64 KEY A 12CKT	2.42g
0986840002	PBT GF0%	NATURAL/ natur	MOST RCPT HSG MOX 0.64 KEY B 12CKT	2.42g



LAST INSPECTION NUMBER / Letzte Maßidentifikationsnr.: 18  
INSPECTION NUMBER REMOVED (ALL REVISIONS) /  
entfallene Maßidentifikationsnr., (alle Revisionsstände):

EC NO: G2007-0216 TIT DRINKLUTZ CHKO/SFARKAS APPROX/LEZARE 2007/03/01 2007/03/02 2007/03/05	QUALITY SYMBOLS 0 10	GENERAL TOLERANCES (UNLESS SPECIFIED) mm INCH 4 PLACES ± --- ± --- 3 PLACES ± --- ± --- 2 PLACES ± 0.10 ± --- 1 PLACE ± 0.2 ± --- ANGULAR ± 1/2°	DIMENSION STYLE MM ONLY DRAWN BY DATE MMH 2002/09/20 CHECKED BY DATE SFARKAS 2002/10/17 APPROVED BY DATE	SCALE 5:1 DESIGN UNITS METRIC FIRST ANGLE PROJECTION	MOST RCPT HOUSING 12CKT MOX 0.64 MOLEX INCORPORATED DOCUMENT NO. SD-98684-001 SHEET NO. 1 OF 1
		DRAFT WHERE APPLICABLE MUST REMAIN WITHIN DIMENSIONS		MATERIAL NO. SEE TABLE DOCUMENT NO. SD-98684-001	
		THIS DRAWING CONTAINS INFORMATION THAT IS PROPRIETARY TO MOLEX INCORPORATED AND SHOULD NOT BE USED WITHOUT WRITTEN PERMISSION			