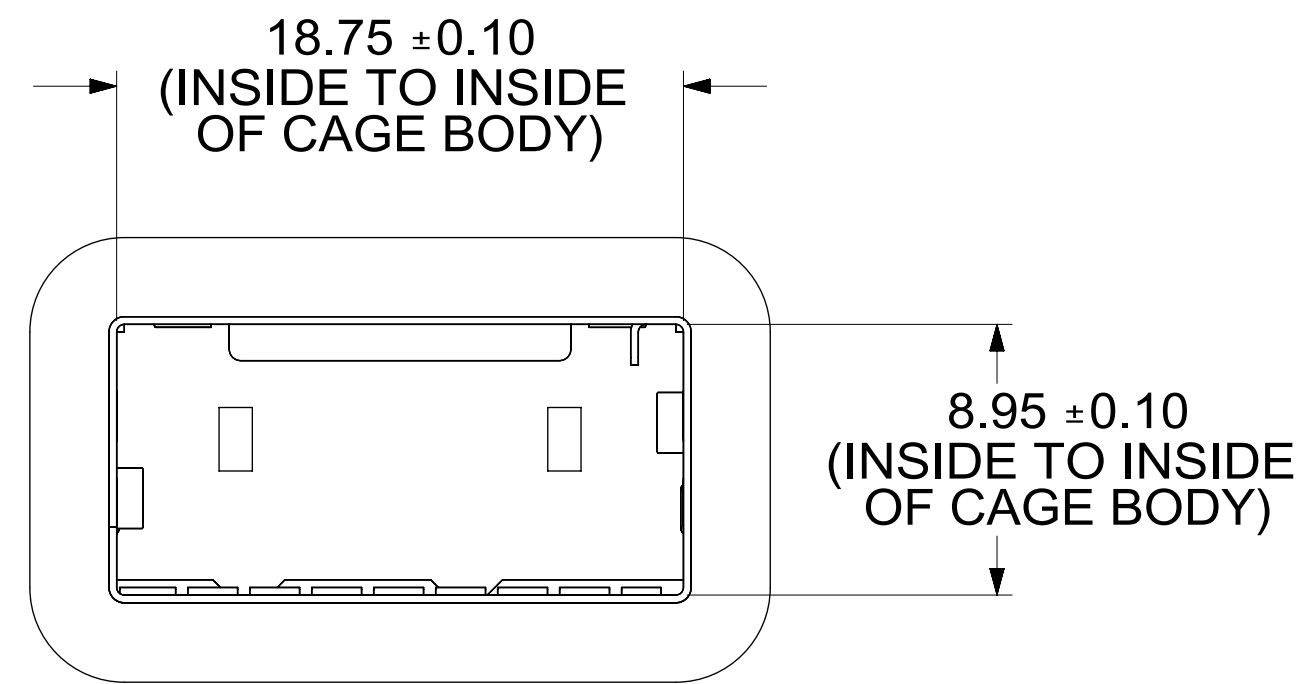
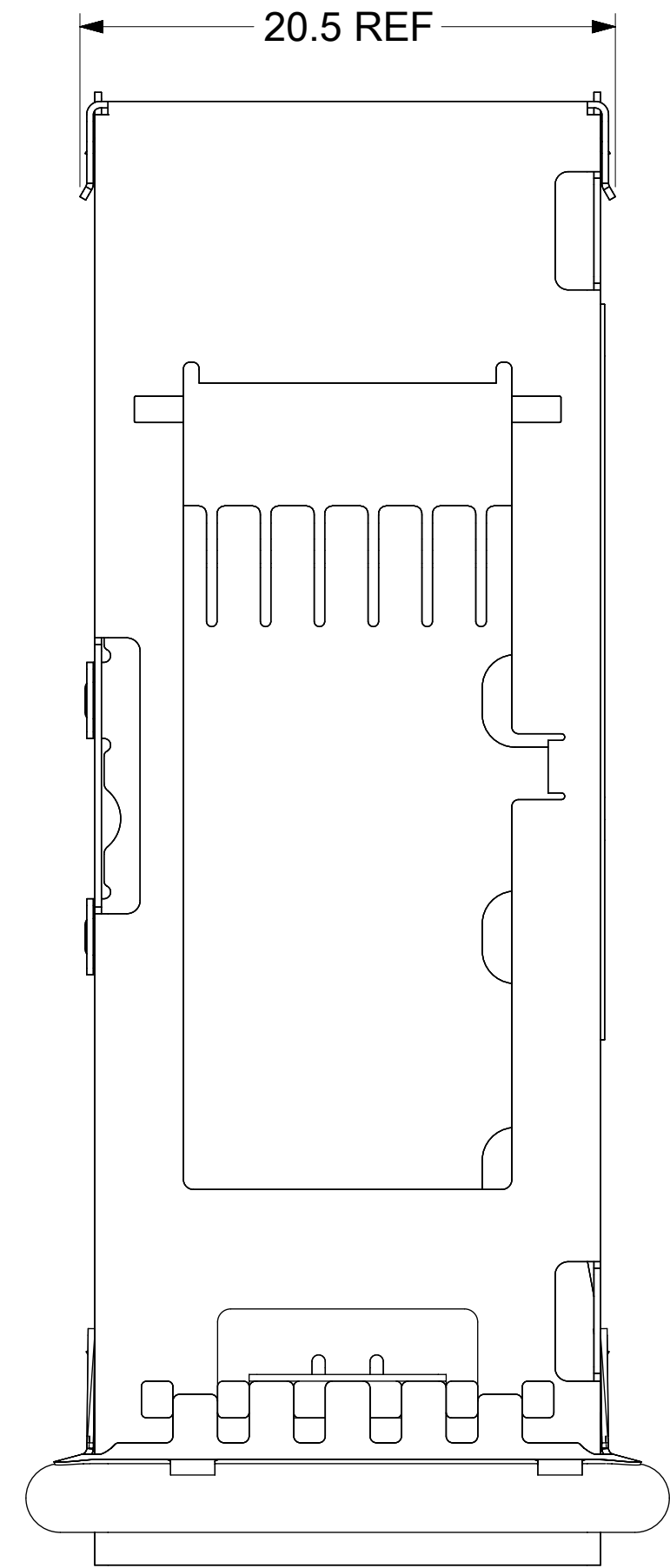
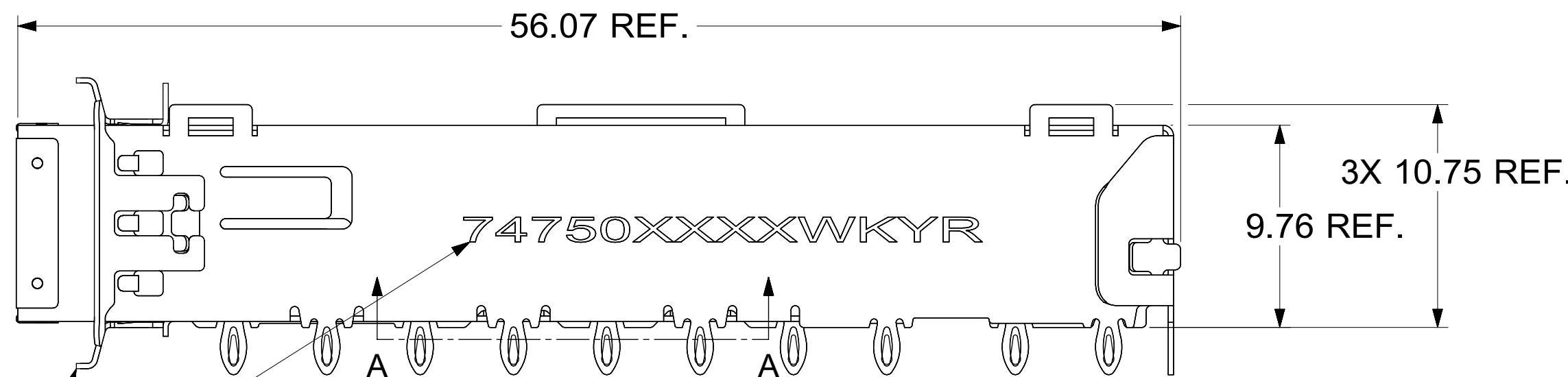
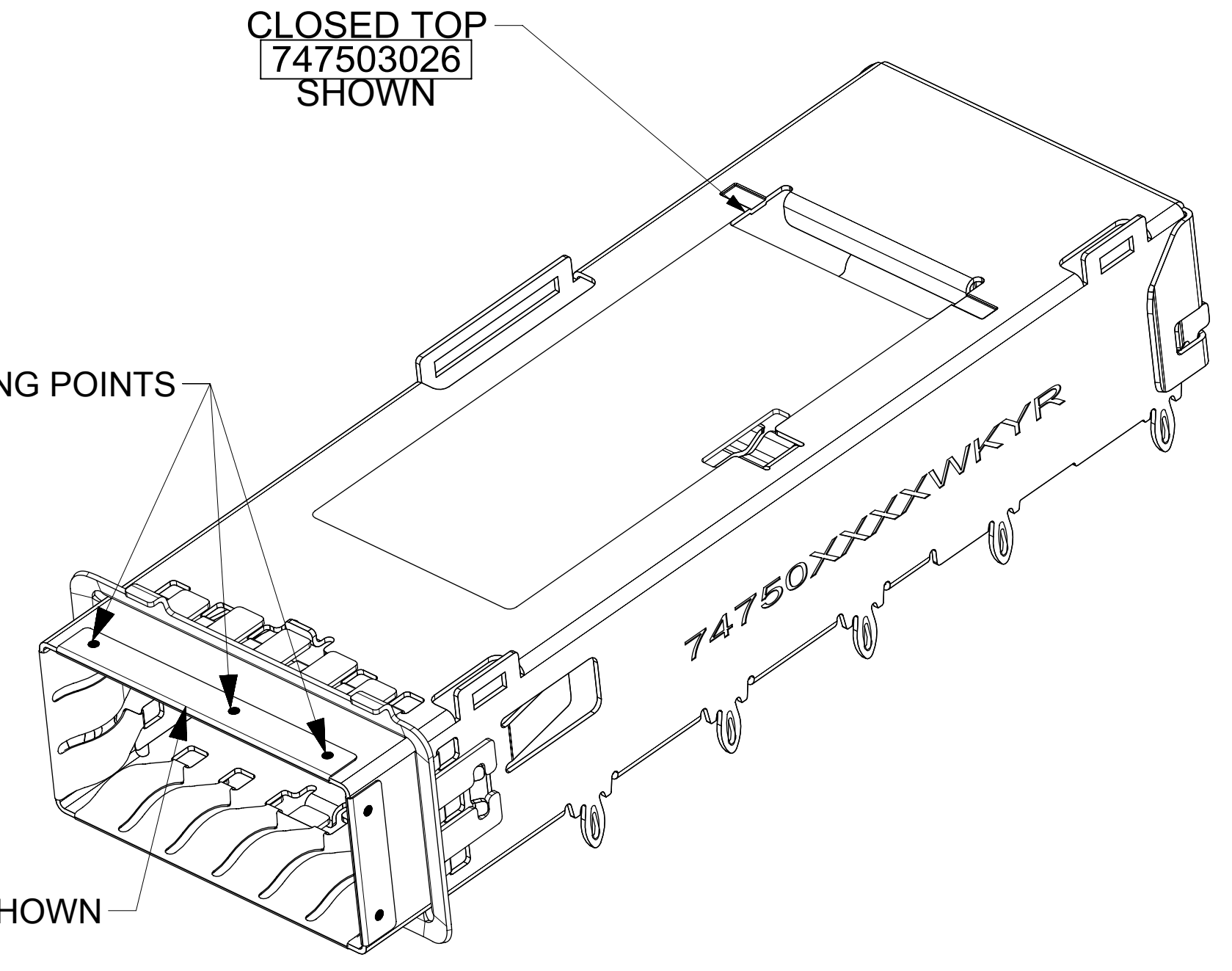
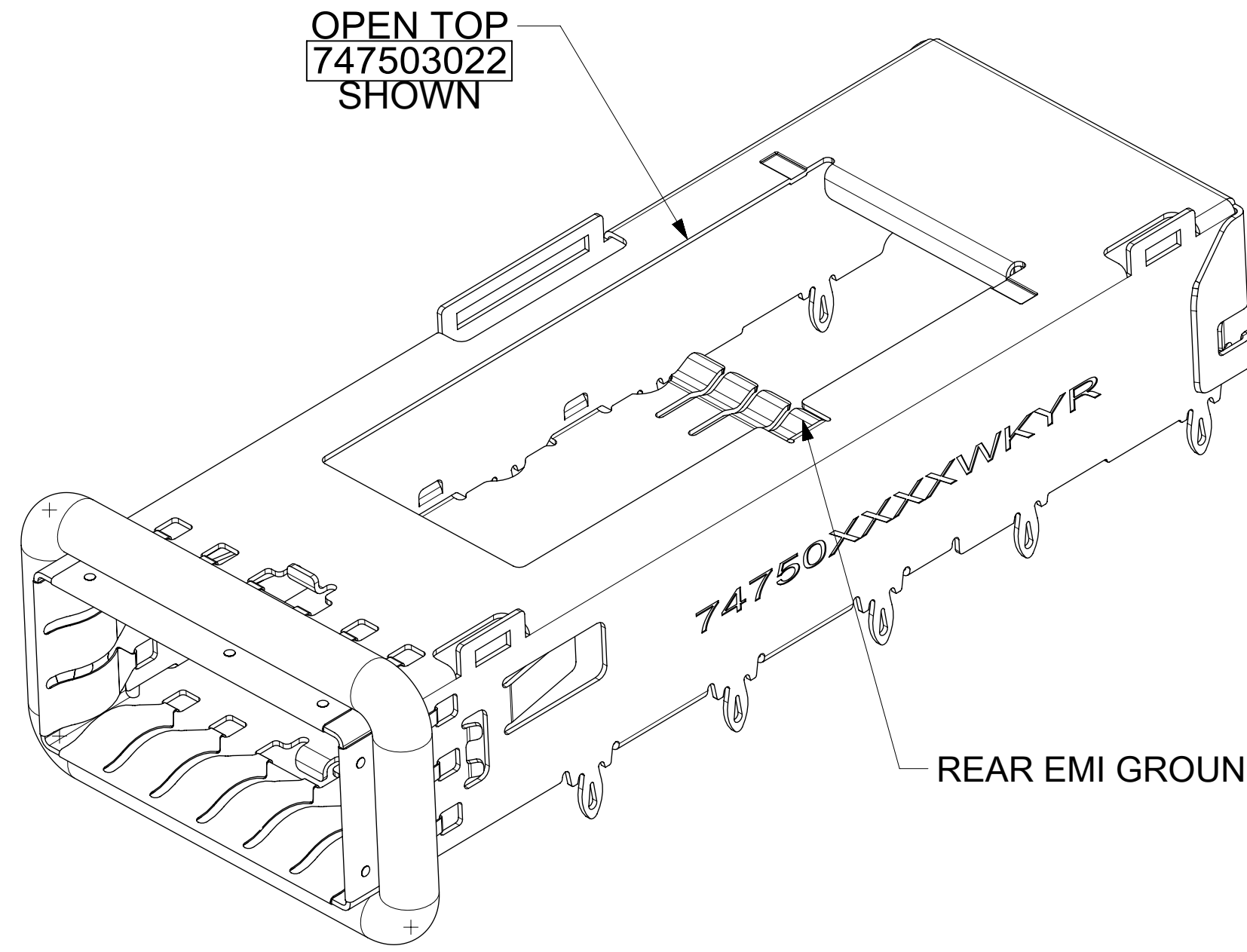


CAGE DETAILS

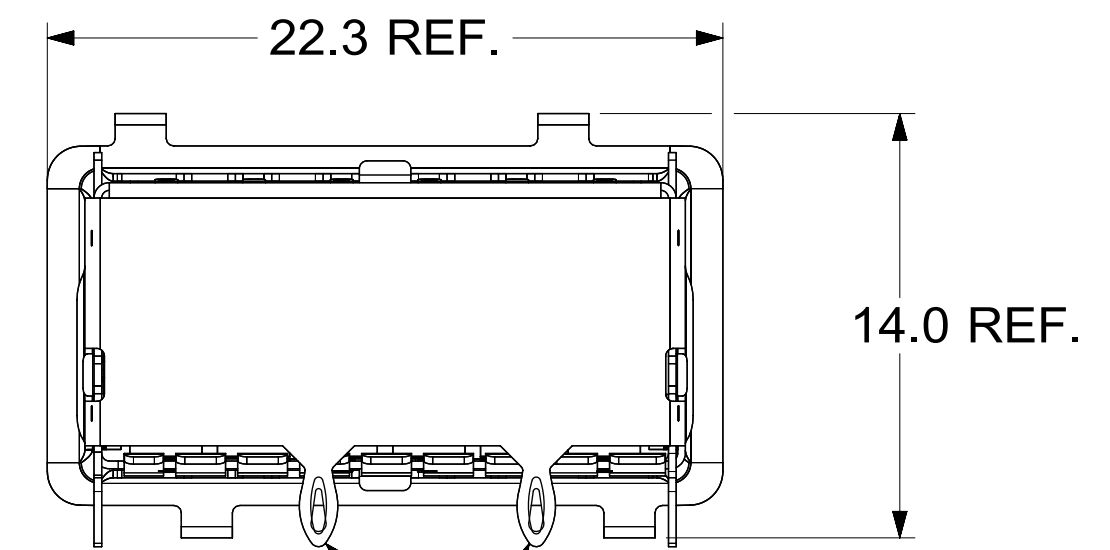
(APPLIES TO ALL CAGES IN THIS DRAWING)



NOTE:
INTERNAL SPRING FINGERS
REMOVED FROM THIS VIEW FOR CLARITY.



PN/DATE CODE TO BE PRINTED ON THE SIDE OF COMPLETED CAGE ASSEMBLY APPROXIMATELY AS SHOWN. SEE TABLE BELOW FOR DATE CODE INFORMATION.

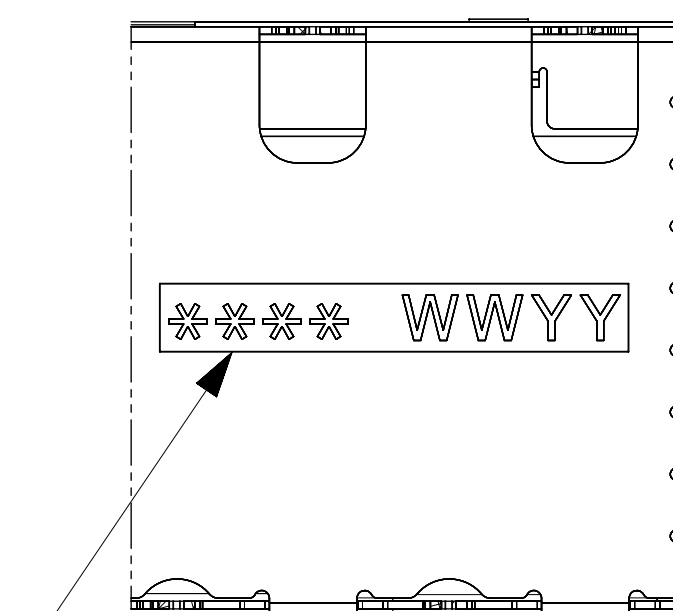


REAR PINS ARE OPTIONAL
(SEE CHART)

NOTE:
GASKET REMOVED FROM THIS
VIEW FOR CLARITY.

WEEK/YEAR DATE CODE TABLE	
WK	WEEK OF THE YEAR 01 THRU 52 (EXAMPLE: 01= FIRST WEEK OF YEAR 52= LAST WEEK OF YEAR)
YR	22, 23, 24 ETC.. (EXAMPLE: YEAR 2022= 22)

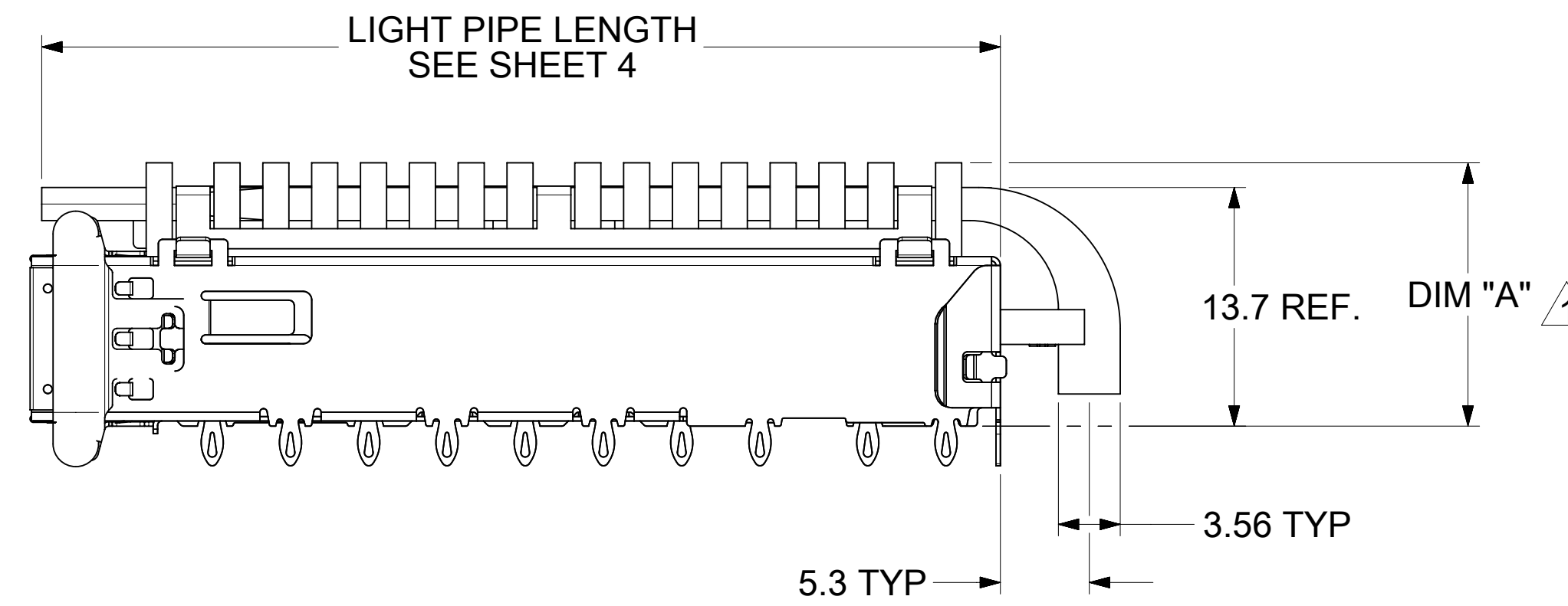
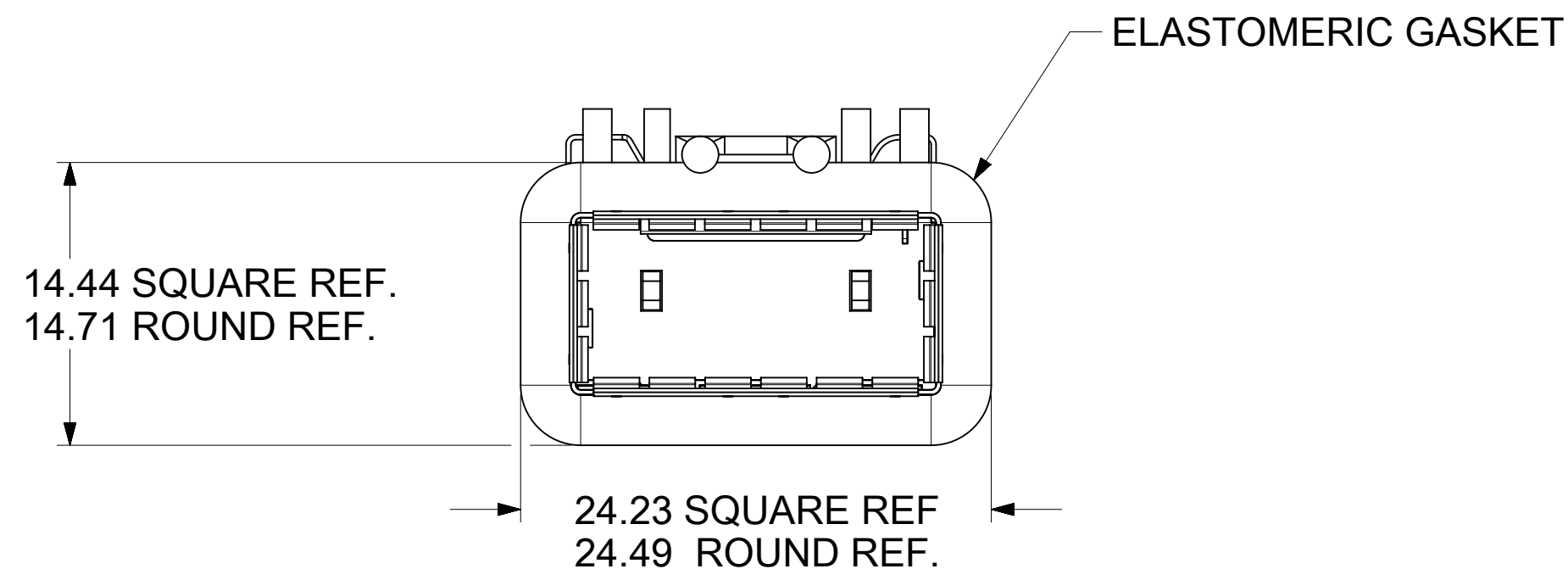
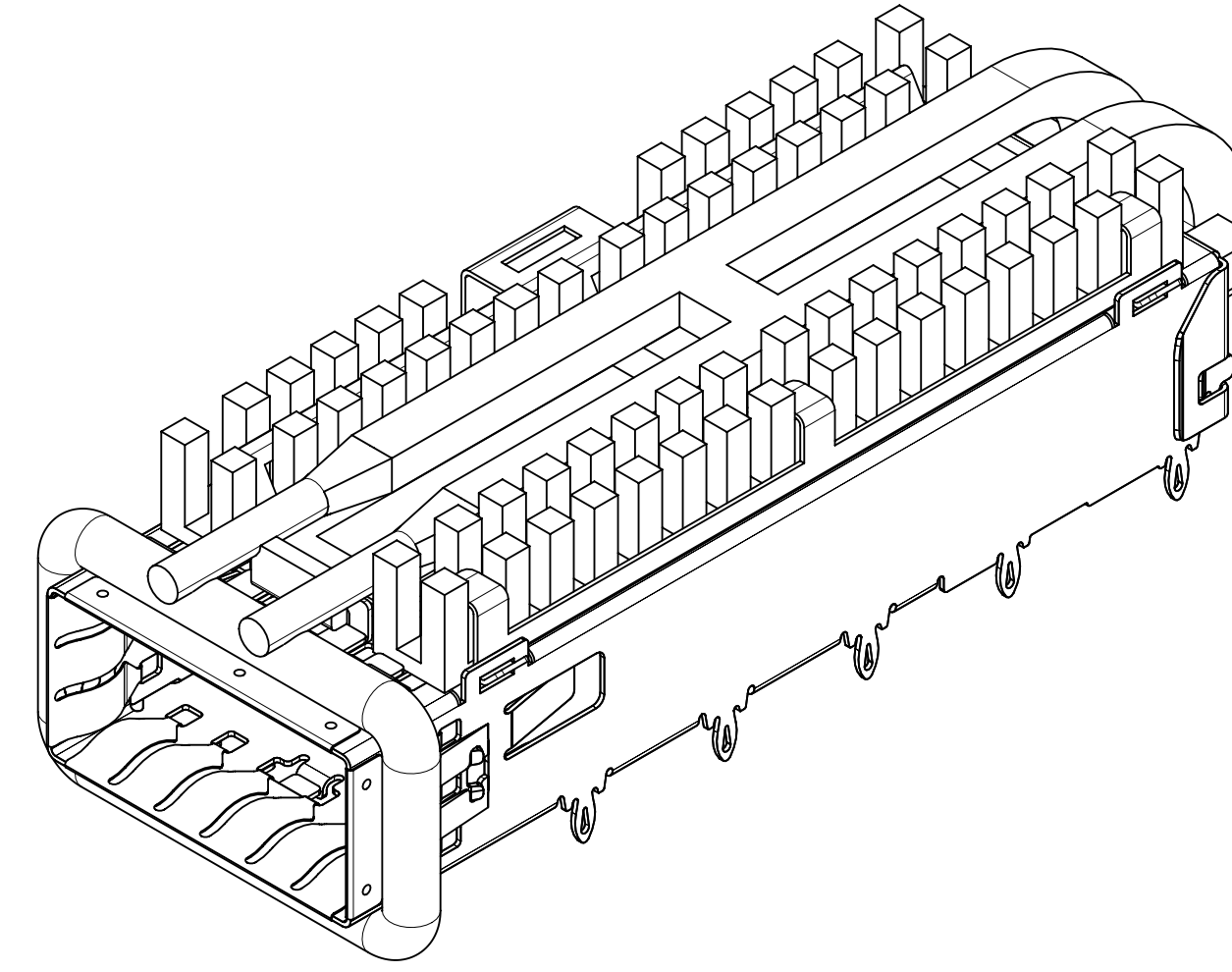
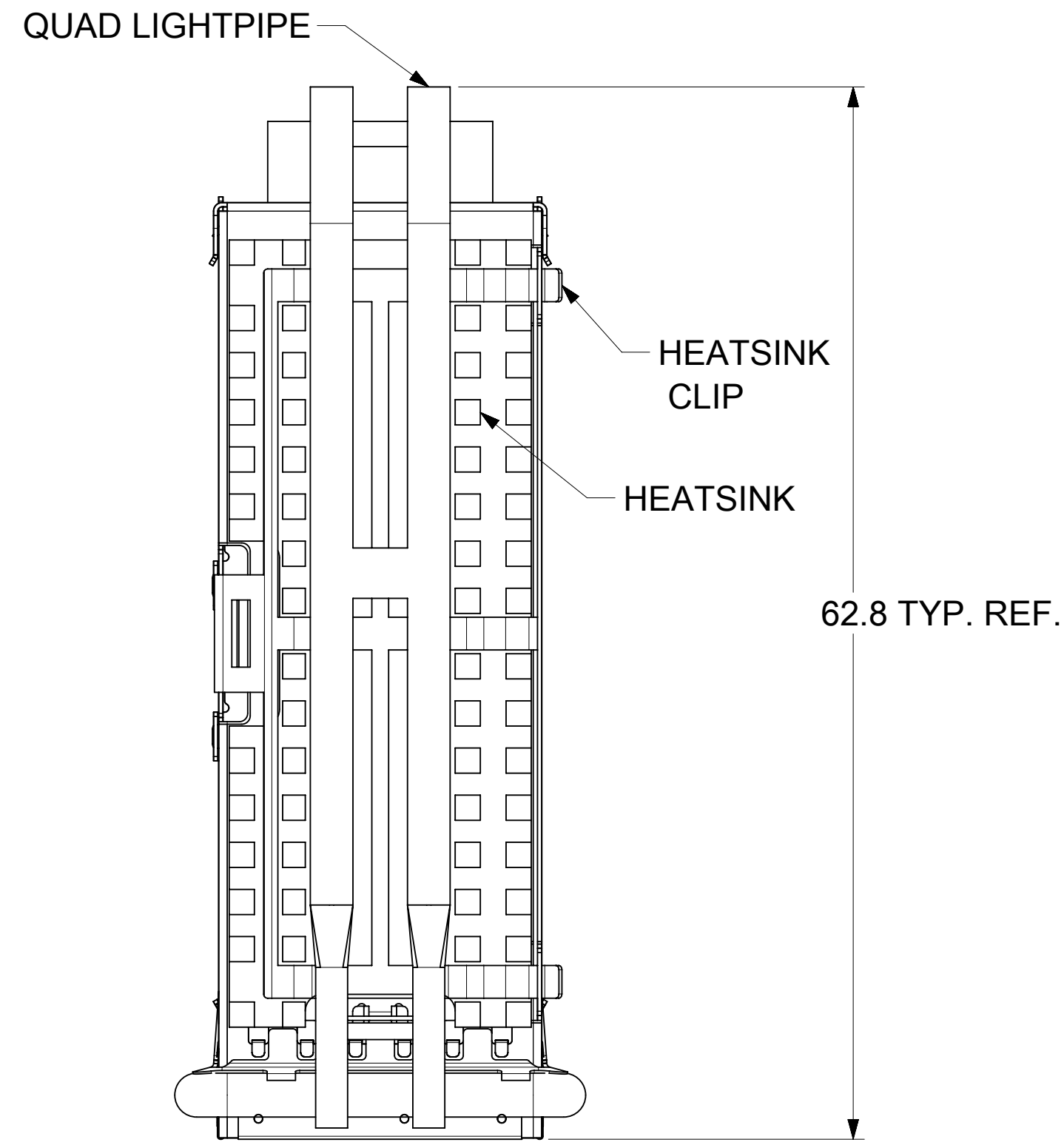
- NOTES:
- PRESS FIT LEGS 2.28mm LONG
 - MATERIAL:
CAGE: 0.25mm THICK COPPER ALLOY, NICKEL PLATED
SPRING FINGERS: STAINLESS STEEL
LIGHT PIPE/HEAT SINK CLIP: STAINLESS STEEL
LIGHT PIPES: POLYCARBONATE (UL 94-V0 RATED)
HEATSINKS: ALUMINUM (BLACK ANNOXIDIZED)
ELASTOMERIC GASKET: SILICON, COLOR BLACK
 - CUSTOM HEATSINKS AVAILABLE UPON REQUEST
 - QSFP+ ASSEMBLES ALSO AVAILABLE IN 1X2 (74767 SERIES), 1X3 (74768 SERIES), 1X4 (74769 SERIES) AND 1X6 (74771 SERIES).
 - PACKAGED IN TRAYS.
 - NO RoHS EXEMPTIONS.
 - WELD SPOTS MAY SHOW SLIGHT MATERIAL DISCOLORATION



SECTION A-A

THIS DRAWING CONTAINS INFORMATION THAT IS PROPRIETARY TO MOLEX ELECTRONIC TECHNOLOGIES, LLC AND SHOULD NOT BE USED WITHOUT WRITTEN PERMISSION											
DIMENSION UNITS		SCALE		CURRENT REV DESC: SEE REV TABLE.							
mm		1:1		<p>molex</p> <p>QSFP+ 1X1 CAGE ASSEMBLY W / ELASTOMERIC GASKET, SUS INNER SPRING FINGER (ROUND & SQUARE)</p> <p>PRODUCT CUSTOMER DRAWING</p> <p>DOCUMENT NUMBER: 747503022 DOC TYPE: PSD DOC PART: ASY REVISION: A1</p> <p>MATERIAL NUMBER: SEE SHEET 4 CUSTOMER: SHEET NUMBER: 1 OF 9</p>							
GENERAL TOLERANCES (UNLESS SPECIFIED)											
ANGULAR TOL ± 1.0°											
4 PLACES ±		EC NO: 735397									
3 PLACES ±		DRWN: VISHNM2 2022/10/19									
2 PLACES ± 0.13		CHK'D: PRARTP 2023/01/18									
1 PLACE ± 0.25		APPR: SCHIEN 2023/01/18									
0 PLACES ±		INITIAL REVISION:									
DRAFT WHERE APPLICABLE MUST REMAIN WITHIN DIMENSIONS		DRWN: PKH 2022/05/27		APPR: SCHIEN 2022/07/07		SERIES: 74750					
THIRD ANGLE PROJECTION		DRAWING: D-SIZE		SERIES: 74750		MATERIAL NUMBER: SEE SHEET 4		CUSTOMER:		SHEET NUMBER: 1 OF 9	

CAGE ASSEMBLY OPTIONS



HEATSINK HEIGHT OPTIONS

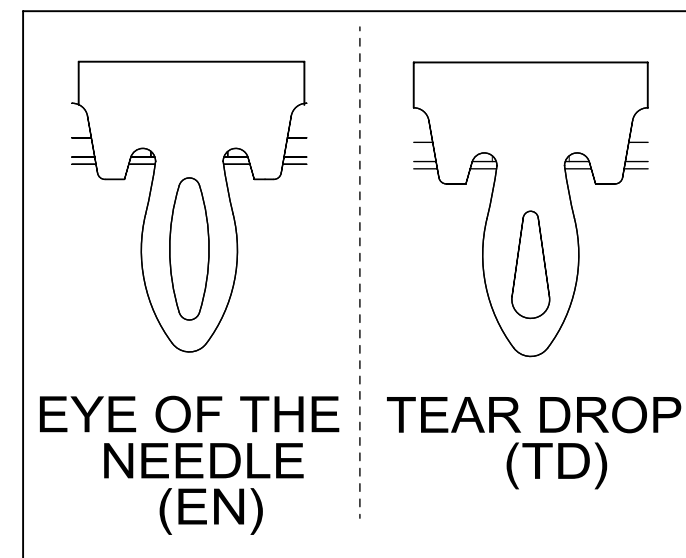
OVERALL HEATSINK HEIGHT	DIM 'A'	TOL
PCI	13.7	
SAN	16.0	+0.25
NET	23.0	-0.73
CUSTOM	21.0	

¹ HEIGHT OF HEATSINK WITH MODULE INSERTED. DIMENSION MAY BE LESS DUE TO MODULE AND HEATSINK VARIATIONS.

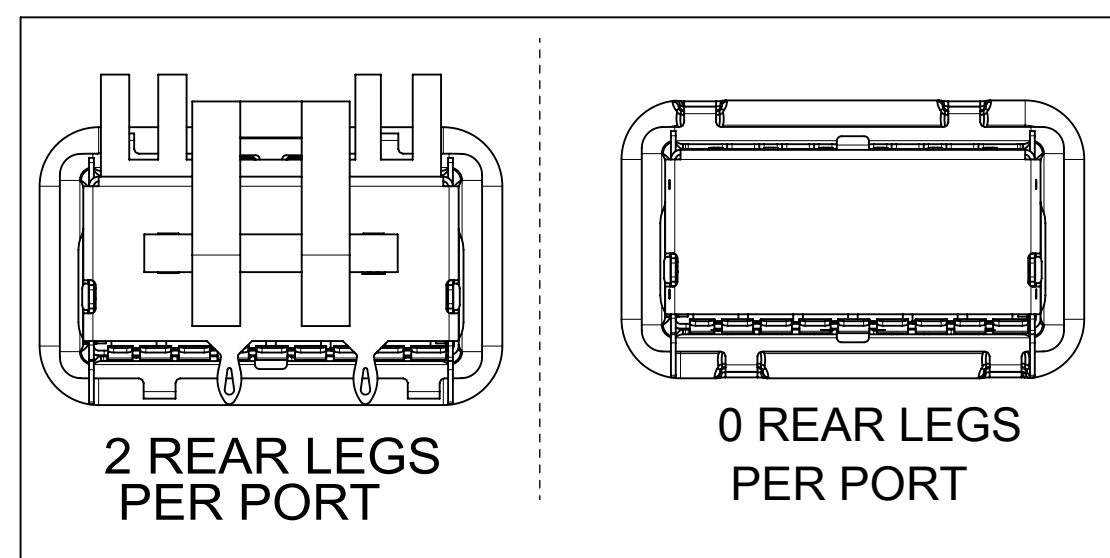
THIS DRAWING CONTAINS INFORMATION THAT IS PROPRIETARY TO MOLEX ELECTRONIC TECHNOLOGIES, LLC AND SHOULD NOT BE USED WITHOUT WRITTEN PERMISSION

DIMENSION UNITS mm	SCALE 3:1	CURRENT REV DESC: SEE REV TABLE.	
GENERAL TOLERANCES (UNLESS SPECIFIED)		EC NO: 735397	
ANGULAR TOL ± 1.0°		DRWN: VISHNM2	2022/10/19
4 PLACES ±		CHK'D: PRARTP	2023/01/18
3 PLACES ±		APPR: SCHIEN	2023/01/18
2 PLACES ± 0.13		INITIAL REVISION:	
1 PLACE ± 0.25		DRWN: PKH	2022/05/27
0 PLACES ±		APPR: SCHIEN	2022/07/07
DRAFT WHERE APPLICABLE MUST REMAIN WITHIN DIMENSIONS		THIRD ANGLE PROJECTION	DRAWING
			D-SIZE
		SERIES	74750
		MATERIAL NUMBER	SEE SHEET 4
		CUSTOMER	
		DOCUMENT NUMBER	747503022
		DOC TYPE	PSD
		DOC PART	ASY
		REVISION	A1
		SHEET NUMBER	2 OF 9

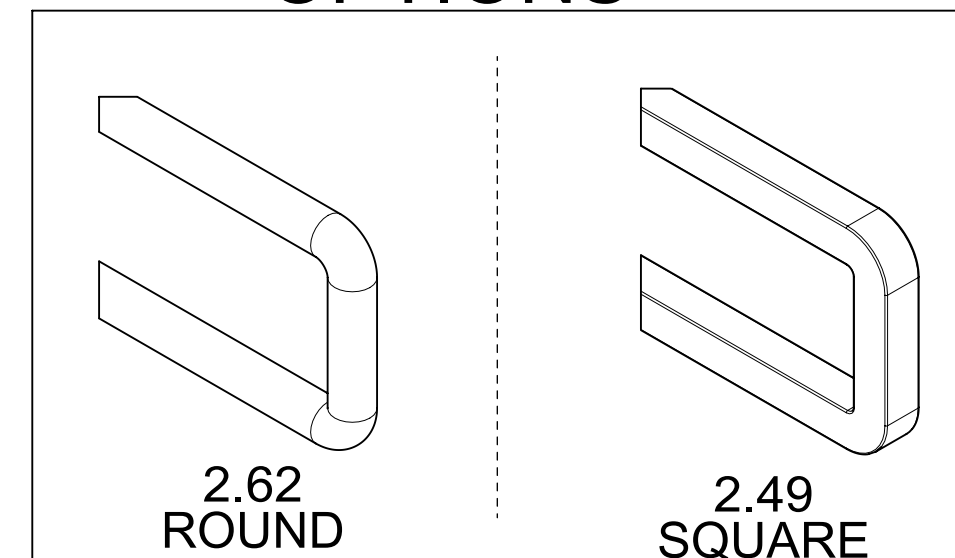
LEG OPTIONS



REAR LEG OPTIONS



ELASTOMERIC GASKET OPTIONS



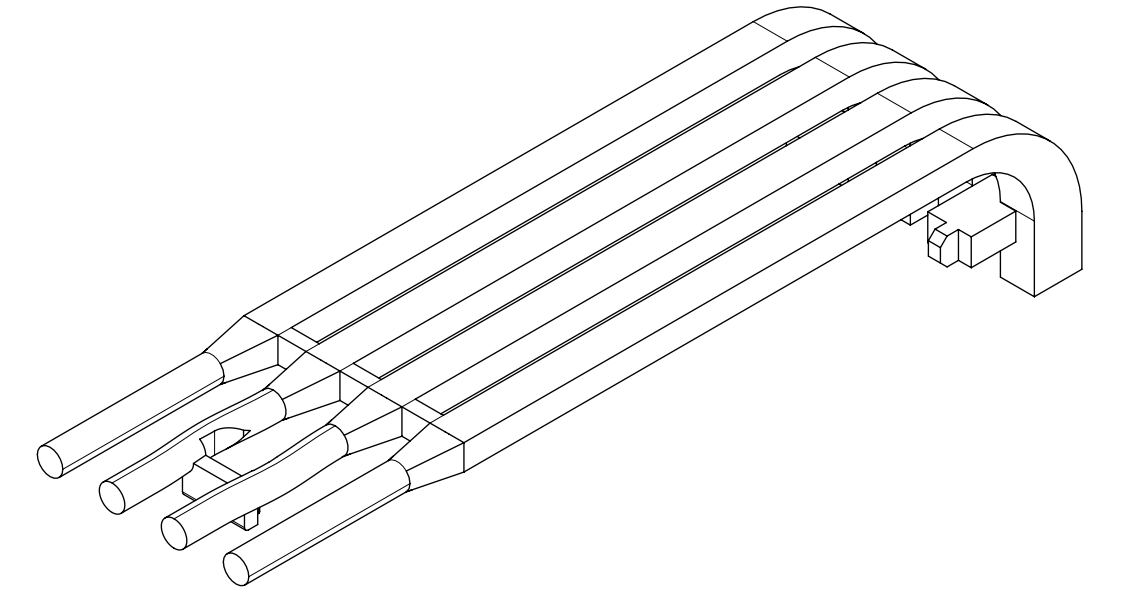
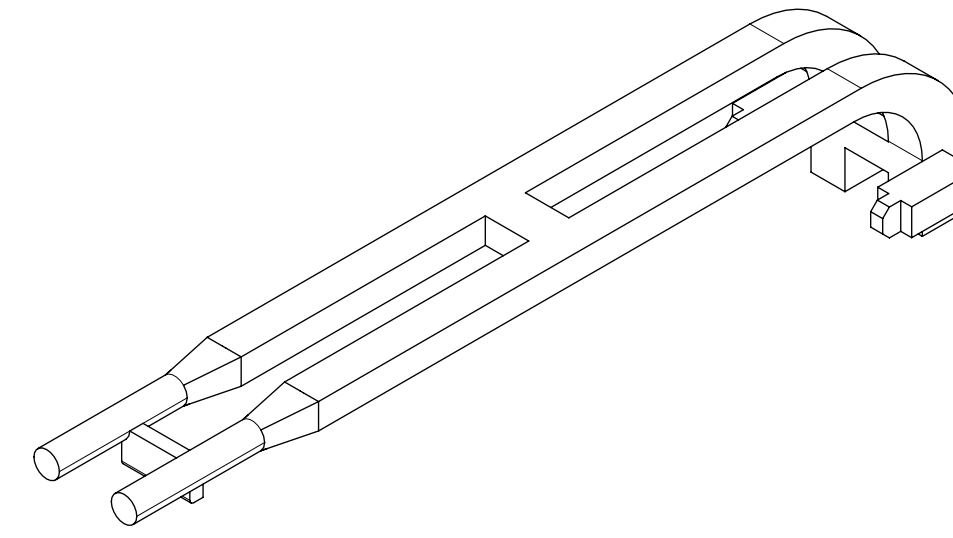
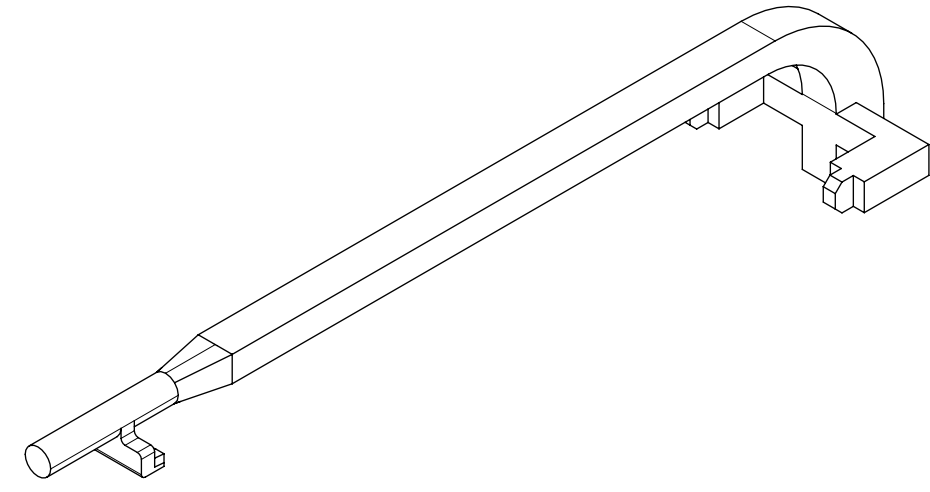
HEATSINK AND LIGHT PIPE OPTIONS

HEATSINK ONLY

SINGLE LIGHT PIPE

DUAL LIGHT PIPE

QUAD LIGHT PIPE

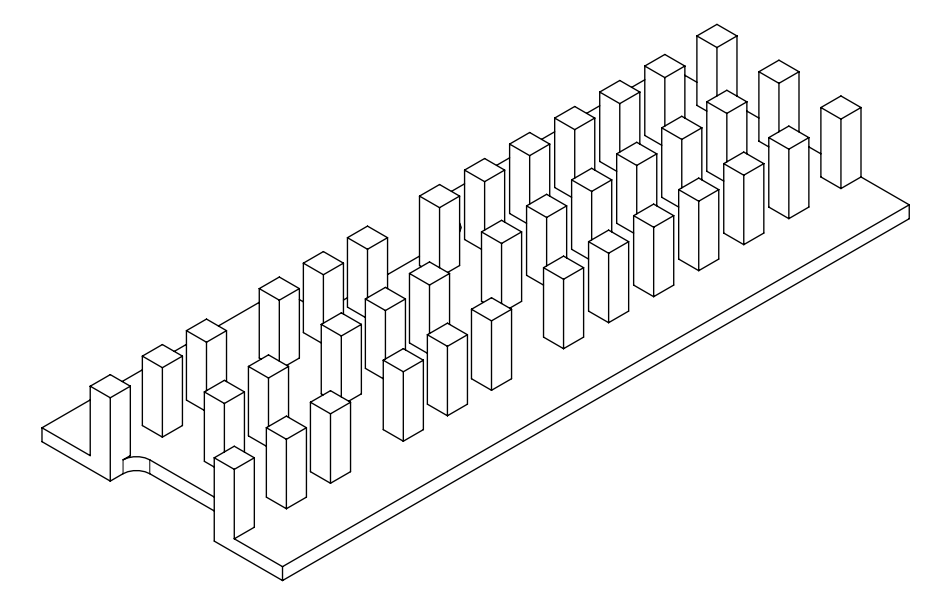
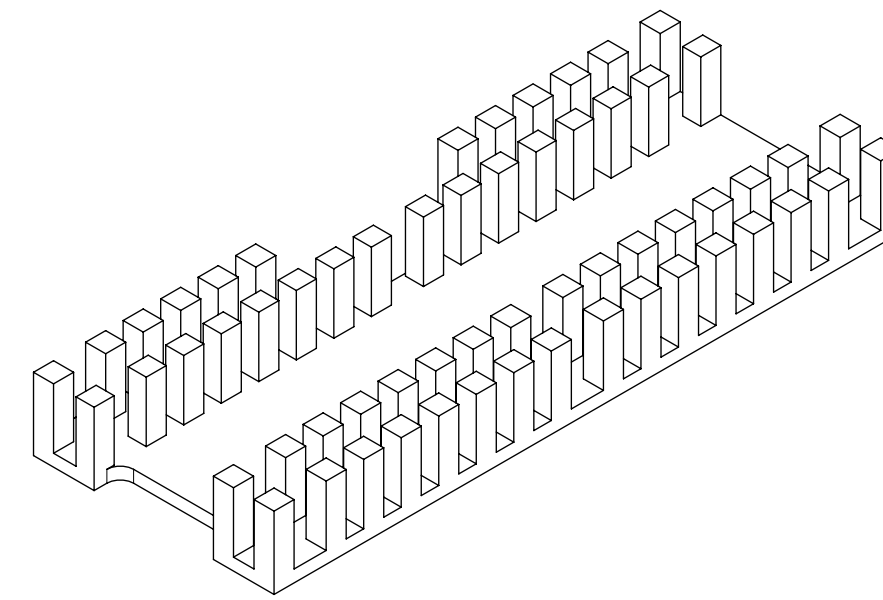
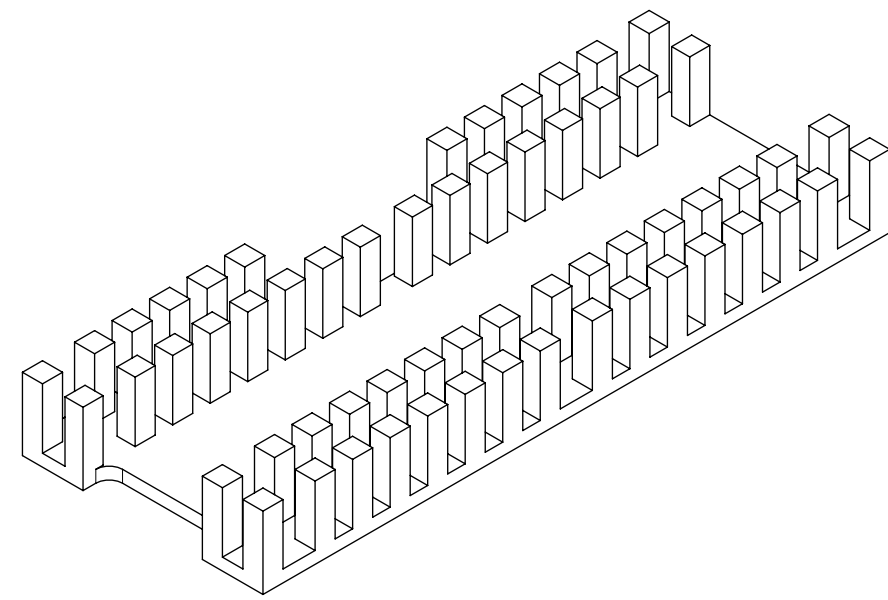
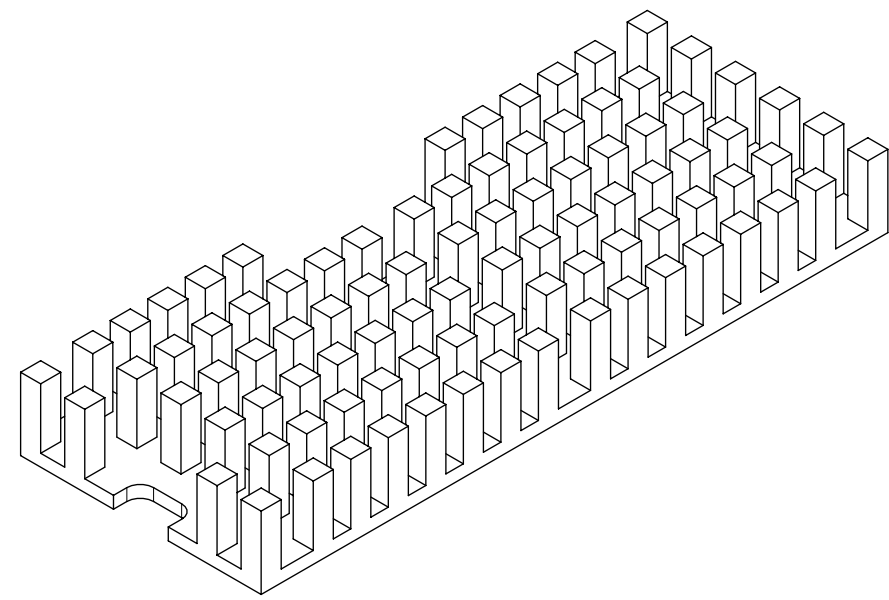


PIN FIELD HEATSINK FOR NO LIGHT PIPE

PIN FIELD HEATSINK FOR SINGLE LIGHT PIPE

PIN FIELD HEATSINK FOR DUAL LIGHT PIPE

PIN FIELD HEATSINK FOR QUAD LIGHT PIPE



NOTES:
 1. MATERIALS:
 LIGHT PIPE: LEXAN 940A
 HEATSINK: ALUMINUM (BLACK ANNOXIDIZED)

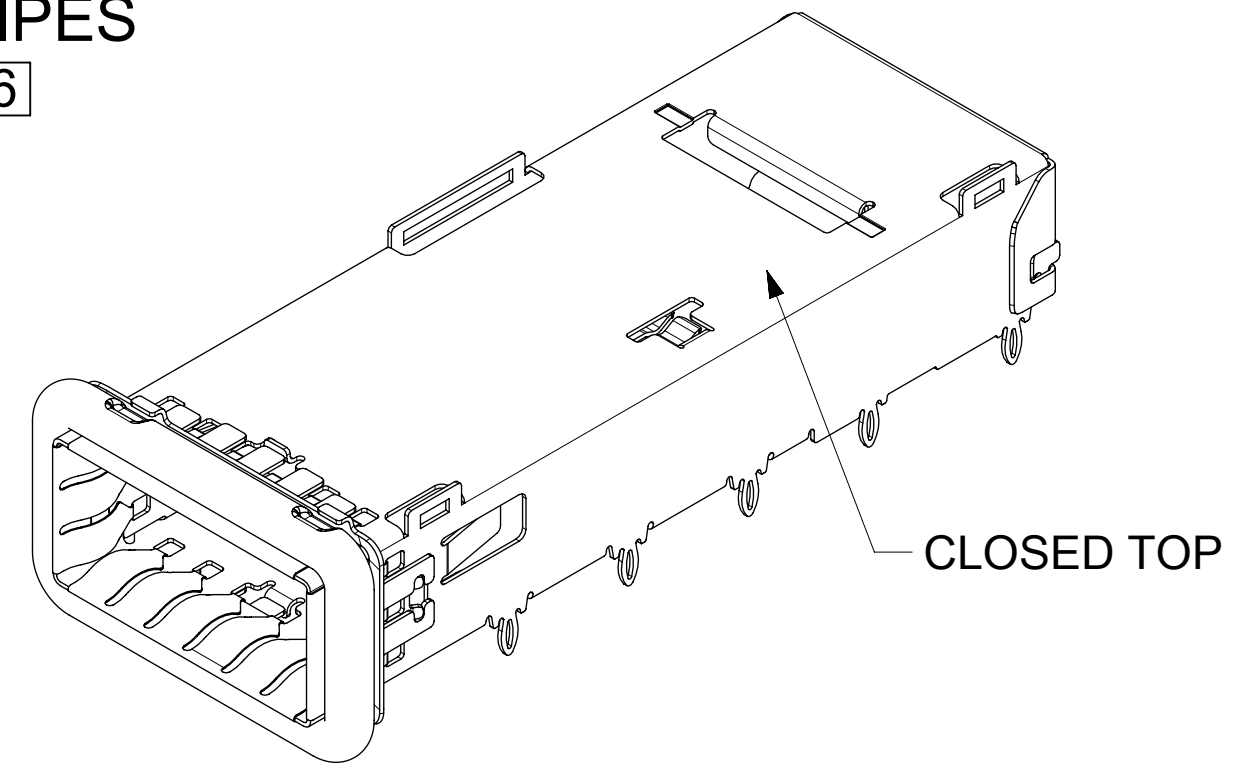
THIS DRAWING CONTAINS INFORMATION THAT IS PROPRIETARY TO MOLEX ELECTRONIC TECHNOLOGIES, LLC AND SHOULD NOT BE USED WITHOUT WRITTEN PERMISSION

DIMENSION UNITS	SCALE	CURRENT REV DESC: SEE REV TABLE.						
mm	2.5:1							
GENERAL TOLERANCES (UNLESS SPECIFIED)		EC NO: 735397		QSFP+ 1X1 CAGE ASSEMBLY W / ELASTOMERIC GASKET, SUS INNER SPRING FINGER (ROUND & SQUARE)				
ANGULAR TOL ± 1.0°		DRWN: VISHNM2 2022/10/19		PRODUCT CUSTOMER DRAWING				
4 PLACES ±		CHK'D: PRARTP 2023/01/18		DOCUMENT NUMBER		DOC TYPE	DOC PART	REVISION
3 PLACES ±		APPR: SCHIEN 2023/01/18		747503022		PSD	ASY	A1
2 PLACES ± 0.13		INITIAL REVISION:						
1 PLACE ± 0.25		DRWN: PKH 2022/05/27						
0 PLACES ±		APPR: SCHIEN 2022/07/07						
DRAFT WHERE APPLICABLE MUST REMAIN WITHIN DIMENSIONS		THIRD ANGLE PROJECTION	DRAWING	SERIES	MATERIAL NUMBER	CUSTOMER		SHEET NUMBER
			D-SIZE	74750	SEE SHEET 4			3 OF 9

DOCUMENT STATUS	P1	RELEASE DATE	2023/01/18 07:47:29
-----------------	----	--------------	---------------------

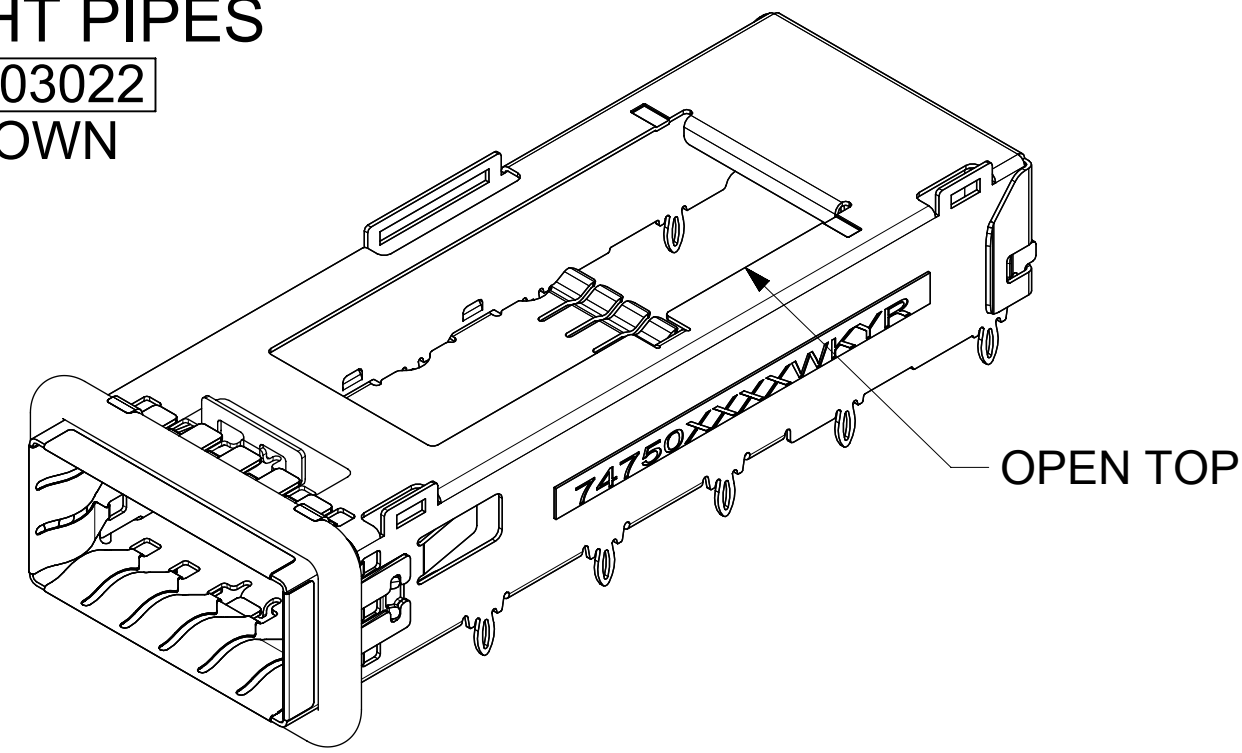
PART NUMBER SELECTION

NO HEATSINKS
NO LIGHT PIPES
747503026
SHOWN



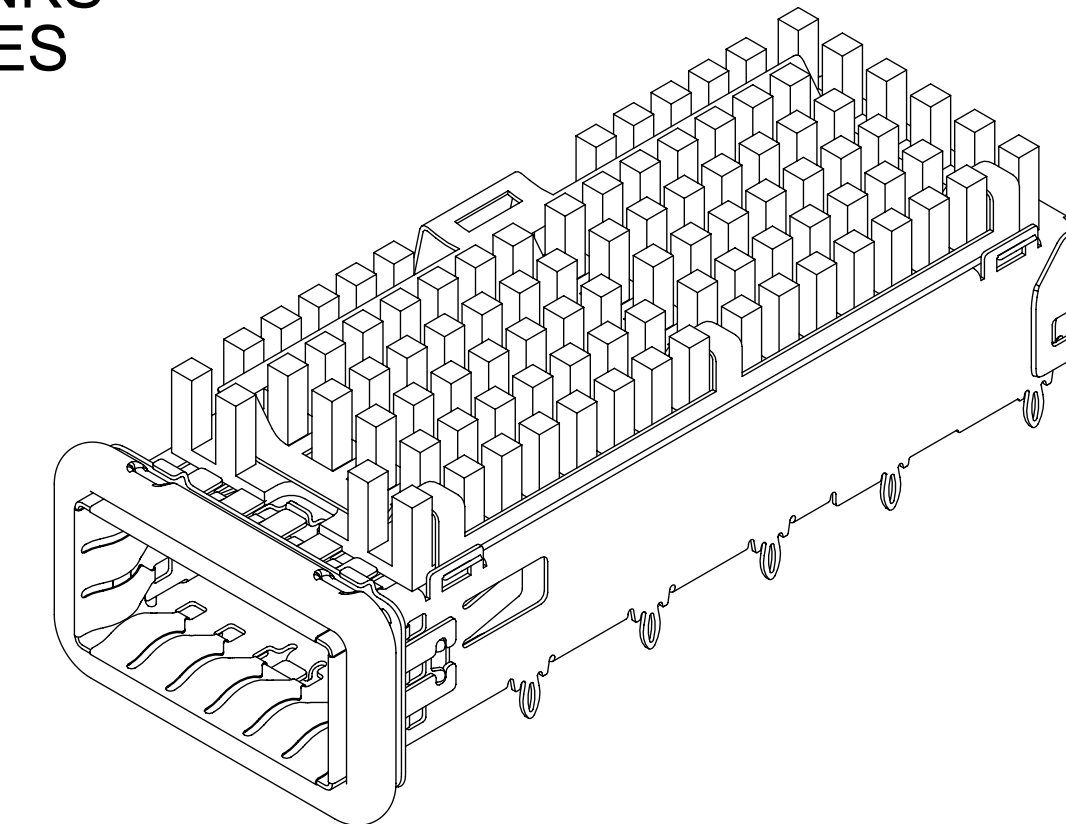
MOLEX P/N		LEG TYPE	# OF REAR LEGS PER PORT
WITH 2.62 REF ROUND ELASTOMERIC GASKET	WITH 2.49 REF SQUARE ELASTOMERIC GASKET		
747503026	---	EN	2

NO HEATSINKS
NO LIGHT PIPES
747503022
SHOWN



MOLEX P/N		LEG TYPE	# OF REAR LEGS PER PORT
WITH 2.62 REF ROUND ELASTOMERIC GASKET	WITH 2.49 REF SQUARE ELASTOMERIC GASKET		
747503022	---	EN	2
747503025	---	EN	-
747503094	---	EN	2
747503200	---	TD	2

WITH HEATSINKS
NO LIGHT PIPES
747503041
SHOWN

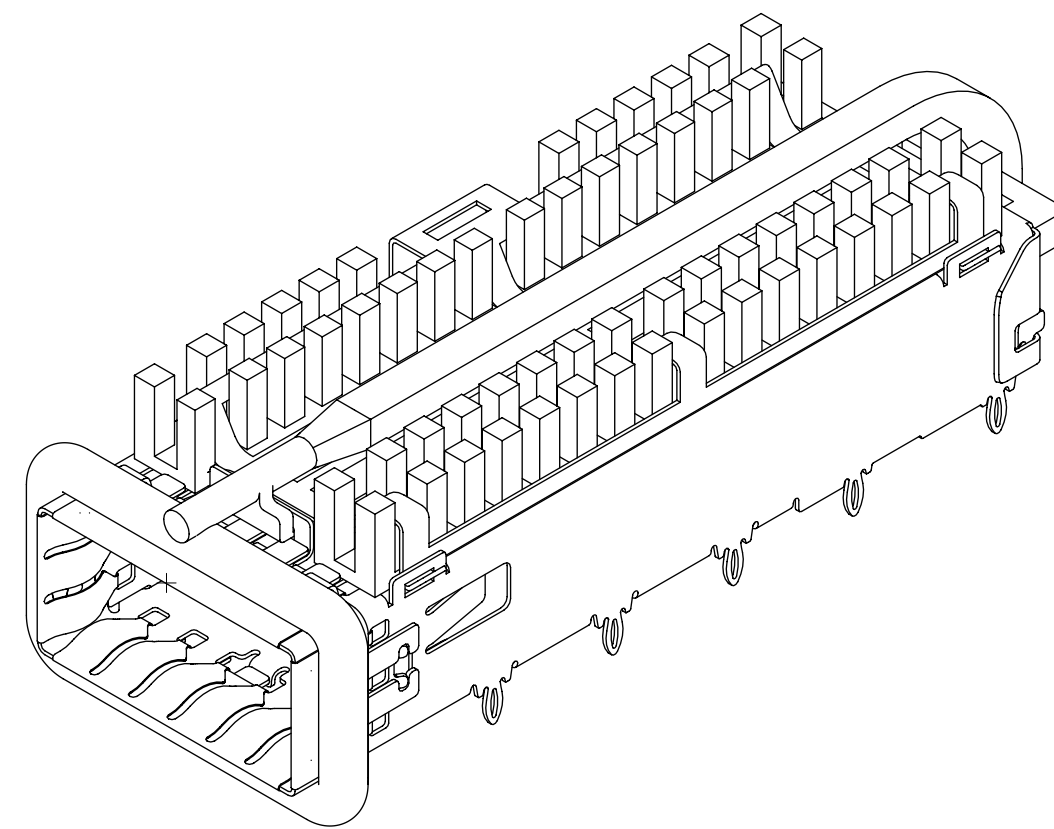


MOLEX P/N		HEAT-SINKS	LEG TYPE	# OF REAR LEGS PER PORT
WITH 2.62 REF ROUND ELASTOMERIC GASKET	WITH 2.49 REF SQUARE ELASTOMERIC GASKET			
747503041	---	SAN	EN	2
747503047	---	NET	EN	2
747503048	---	CUSTOM	EN	2
747503242	---	PCI	TD	2

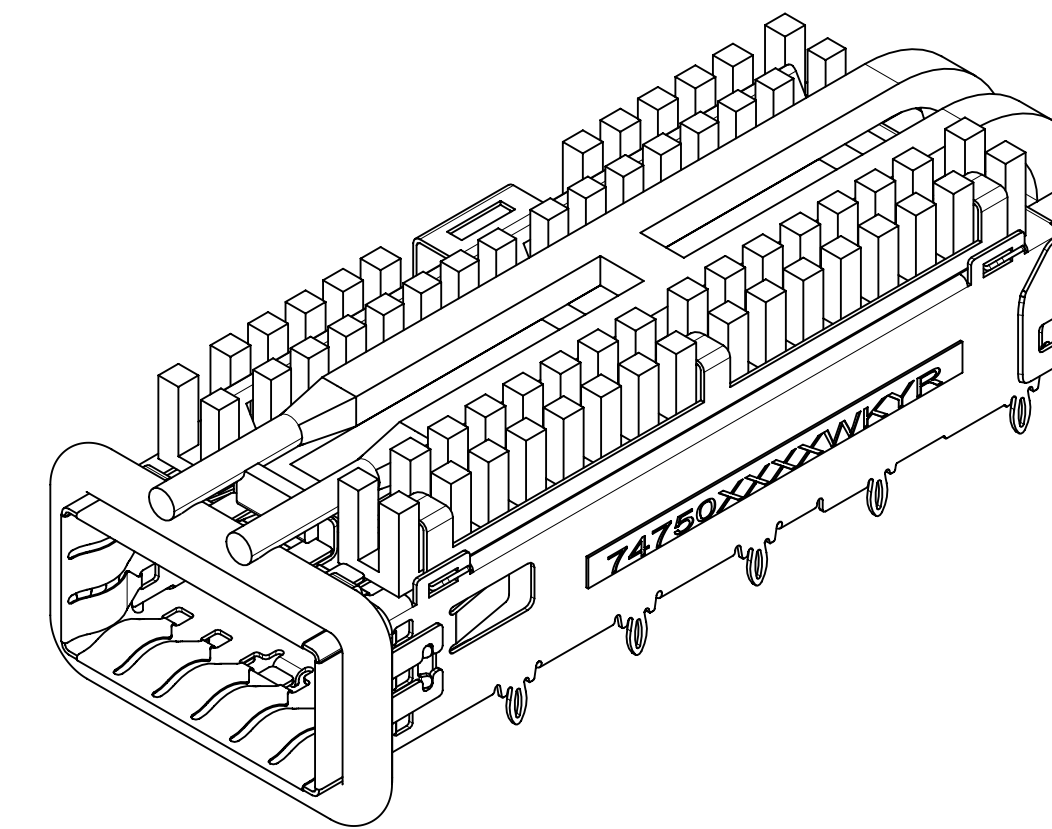
WITH OR WITHOUT HEATSINKS AND LIGHT PIPES

MOLEX P/N		LIGHT PIPES	HEAT-SINKS	LEG TYPE	# OF REAR LEGS PER PORT	LIGHT PIPE LENGTH
WITH 2.62 REF ROUND ELASTOMERIC GASKET	WITH 2.49 REF SQUARE ELASTOMERIC GASKET					
747503070	---	SINGLE	SAN	EN	2	55.0
747503072	---	DUAL	SAN	EN	2	
747503073	---	DUAL	NET	EN	2	
747503571	---	QUAD	SAN	EN	2	55.0
747503577	---	DUAL	SAN	TD	2	
747503578	---	DUAL	NET	TD	2	

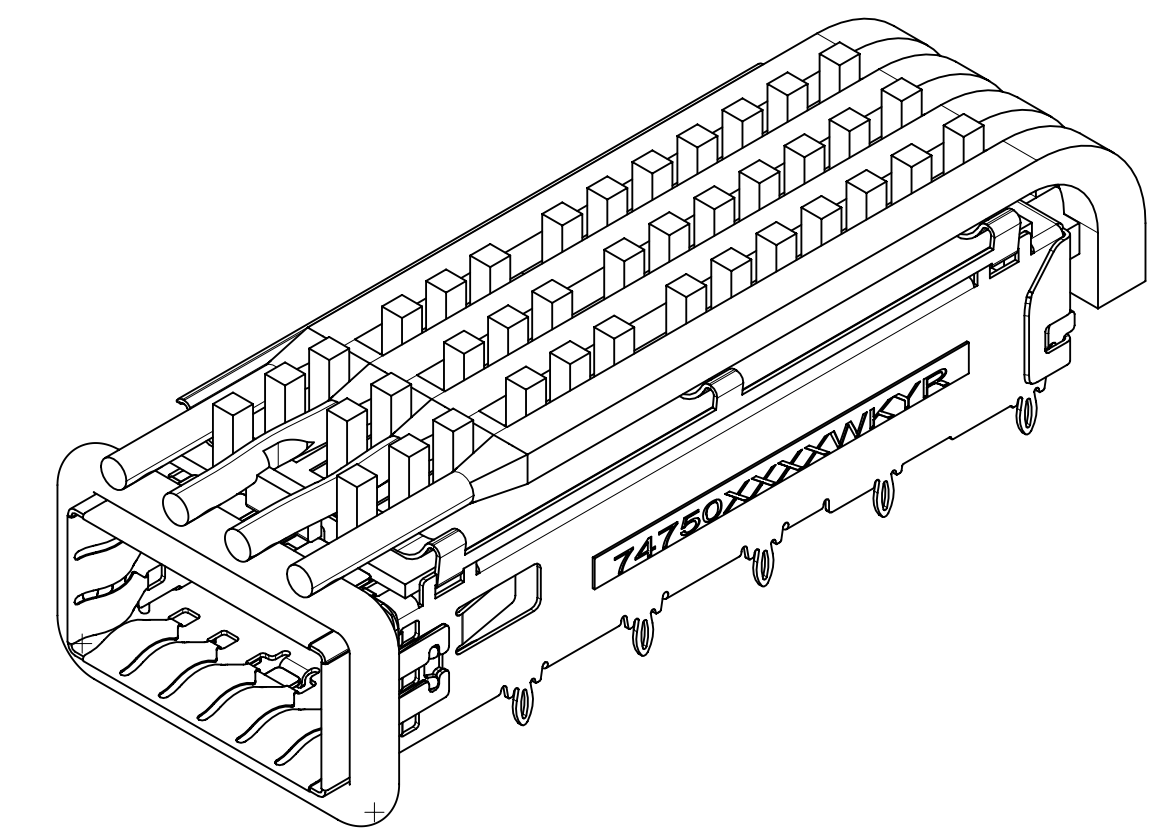
SINGLE LIGHT PIPE
747503070
SHOWN



DUAL LIGHT PIPES
747503072
SHOWN



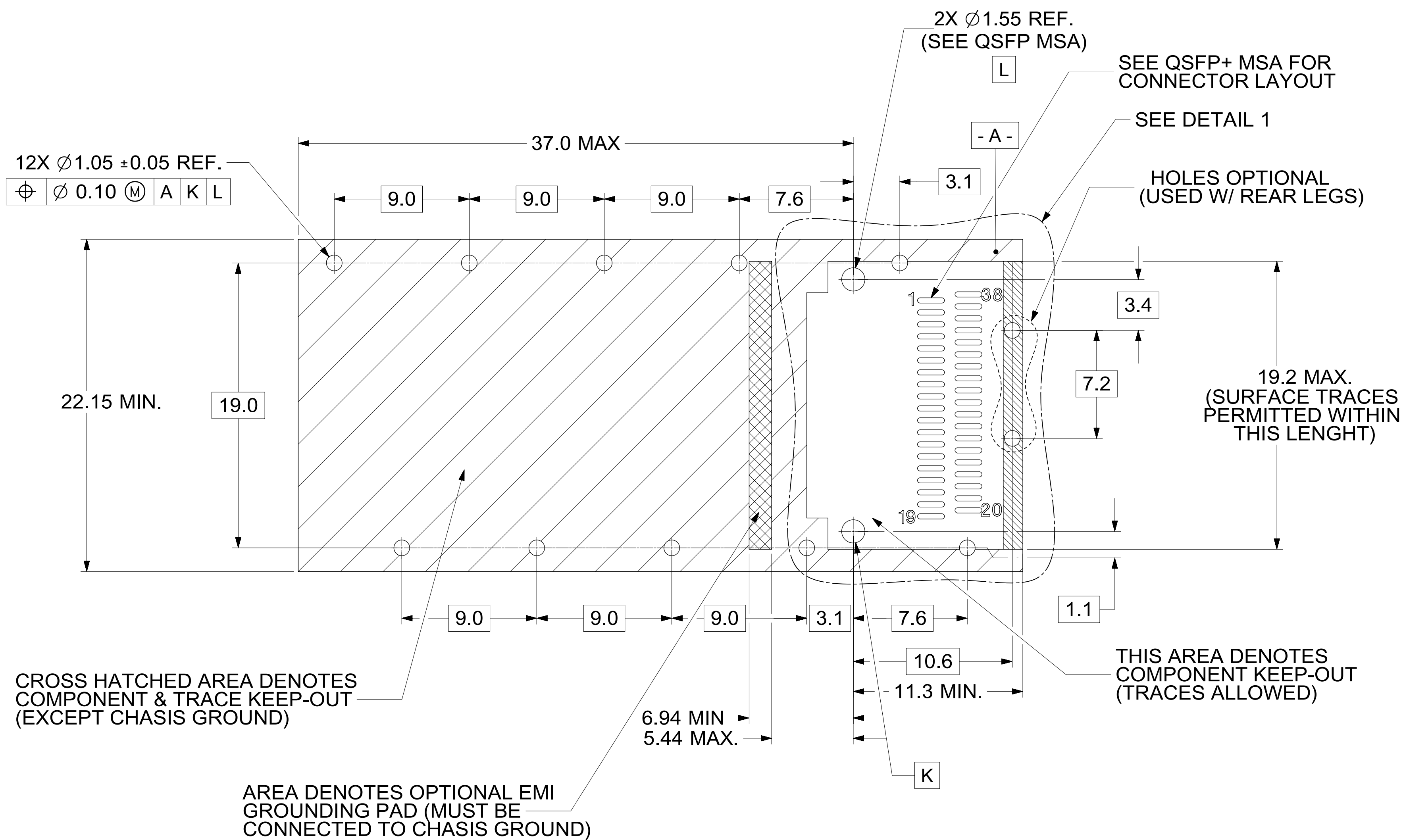
QUAD LIGHT PIPES
747503571
SHOWN



THIS DRAWING CONTAINS INFORMATION THAT IS PROPRIETARY TO MOLEX ELECTRONIC TECHNOLOGIES, LLC AND SHOULD NOT BE USED WITHOUT WRITTEN PERMISSION										
DIMENSION UNITS	SCALE	CURRENT REV DESC: SEE REV TABLE.								
mm	2.5:1	<p>molex</p> <p>QSFP+ 1X1 CAGE ASSEMBLY W / ELASTOMERIC GASKET, SUS INNER SPRING FINGER (ROUND & SQUARE)</p> <p>PRODUCT CUSTOMER DRAWING</p>								
GENERAL TOLERANCES (UNLESS SPECIFIED)										
ANGULAR TOL	± 1.0°	EC NO: 735397		2022/10/19		DOCUMENT NUMBER		DOC TYPE	DOC PART	REVISION
4 PLACES	±	DRWN: VISHNM2		2022/10/19		747503022		PSD	ASY	A1
3 PLACES	±	CHK'D: PRARTP		2023/01/18		MATERIAL NUMBER		CUSTOMER		
2 PLACES	± 0.13	APPR: SCHIEN		2023/01/18		SERIES		SHEET NUMBER		
1 PLACE	± 0.25	INITIAL REVISION:		2022/05/27		74750		4 OF 9		
0 PLACES	±	DRWN: PKH		2022/07/07		SEE P/N TABLE				
DRAFT WHERE APPLICABLE MUST REMAIN WITHIN DIMENSIONS		THIRD ANGLE PROJECTION	DRAWING	D-SIZE		74750				

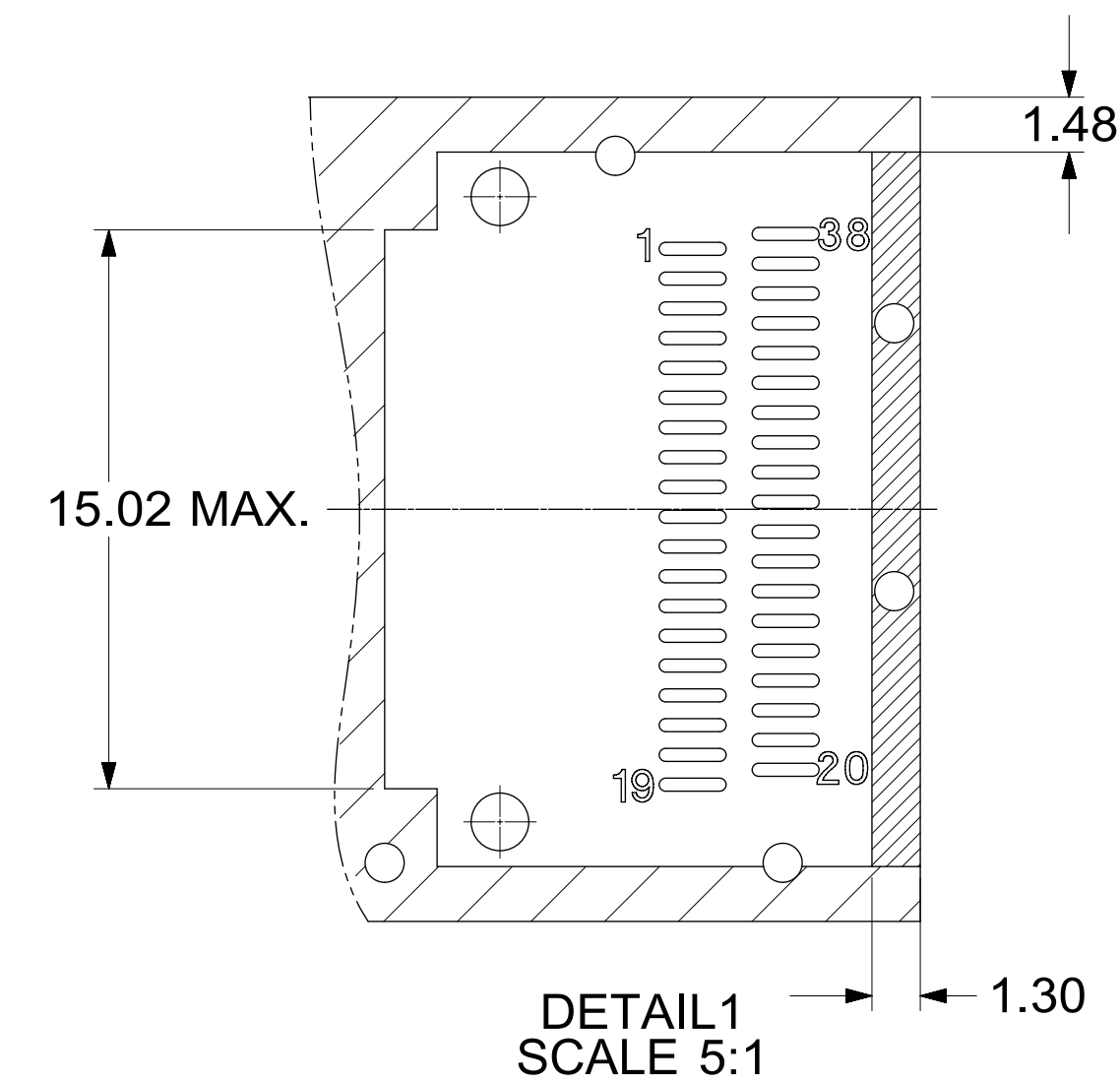
NOTE:
1. LEG TYPE:
EN - EYE OF THE NEEDLE
TD - TEAR DROP

PCB LAYOUT FOR SINGLE SIDED APPLICATIONS

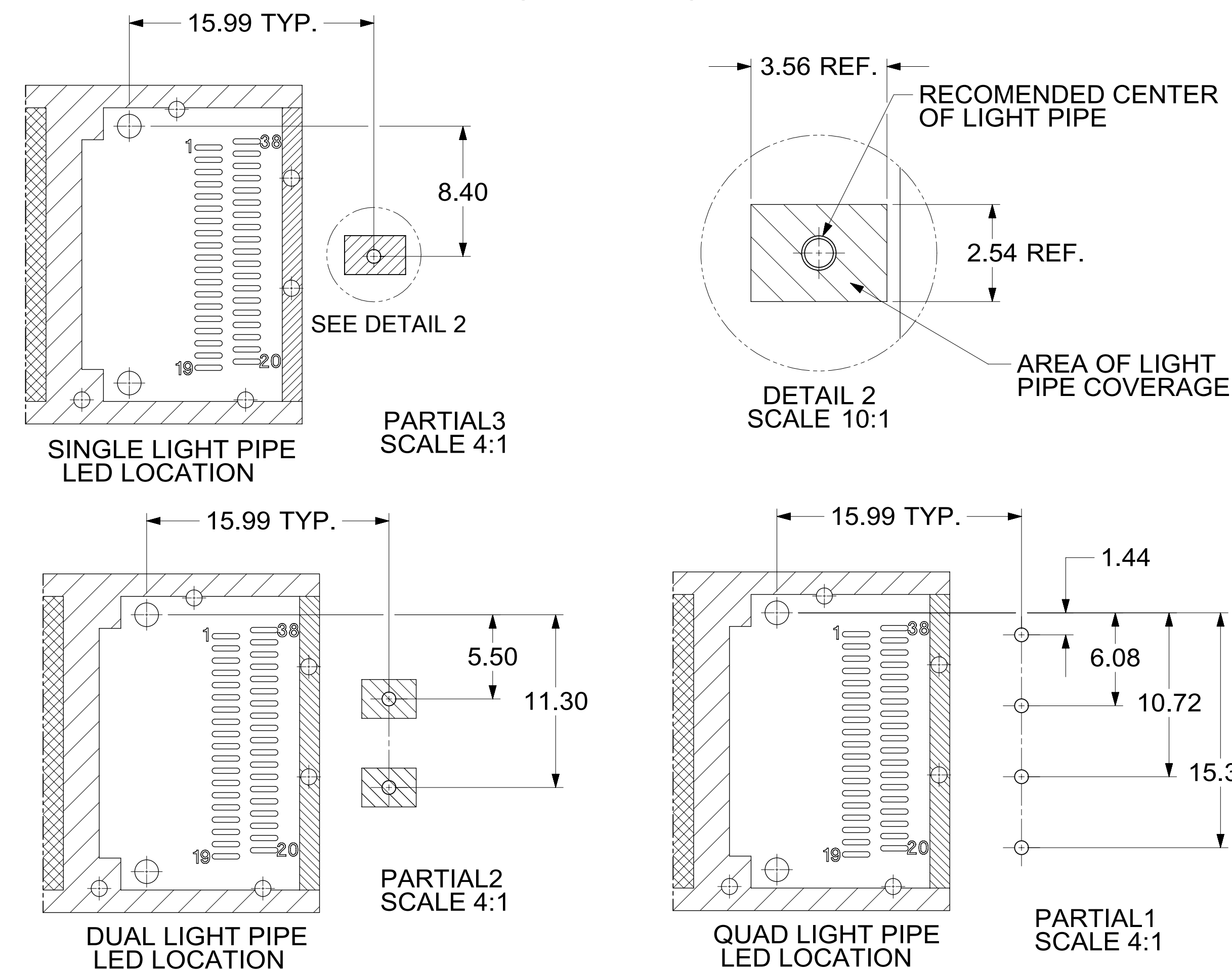


- NOTES:
- DATUM -A- IS TOP SURFACE OF HOST BOARD PER MSA
 - FINISHED HOLE SIZE (AFTER PLATING)
 - DATUM -K- IS HOST BOARD THRU HOLE #1 TO ACCEPT CONNECTOR GUIDE POST PER MSA
 - DATUM -L- IS HOST BOARD THRU HOLE #2 TO ACCEPT CONNECTOR GUIDE POST PER MSA
 - SINGLE SIDED BOARD THICKNESS:
 NOMINAL: 1.60 mm
 MINIMUM: 1.44 mm

HOST CONNECTOR DETAIL



FOR CAGE ASSEMBLIES WITH LIGHT PIPES



THIS DRAWING CONTAINS INFORMATION THAT IS PROPRIETARY TO MOLEX ELECTRONIC TECHNOLOGIES, LLC AND SHOULD NOT BE USED WITHOUT WRITTEN PERMISSION									
DIMENSION UNITS		SCALE		CURRENT REV DESC: SEE REV TABLE.					
mm		4:1							
GENERAL TOLERANCES (UNLESS SPECIFIED)									
ANGULAR TOL $\pm 1.0^\circ$									
4 PLACES \pm		EC NO: 735397		DRWN: VISHNM2		2022/10/19			
3 PLACES \pm		DRWN: PRARTP		CHK'D: PRARTP		2023/01/18			
2 PLACES ± 0.13		APPR: SCHIEN		APPR: SCHIEN		2023/01/18			
1 PLACE ± 0.25		INITIAL REVISION:		DRWN: PKH		2022/05/27			
0 PLACES \pm		APPR: SCHIEN		APPR: SCHIEN		2022/07/07			
DRAFT WHERE APPLICABLE MUST REMAIN WITHIN DIMENSIONS				THIRD ANGLE PROJECTION		DRAWING		SERIES	
		D-SIZE		74750		MATERIAL NUMBER		CUSTOMER	
				SEE SHEET 4					
DOCUMENT STATUS				P1		RELEASE DATE		2023/01/18 07:47:29	
19		18		17		16		15	
14		13		12		11		10	
9		8		7		6		5	
4		3		2		1			

molex

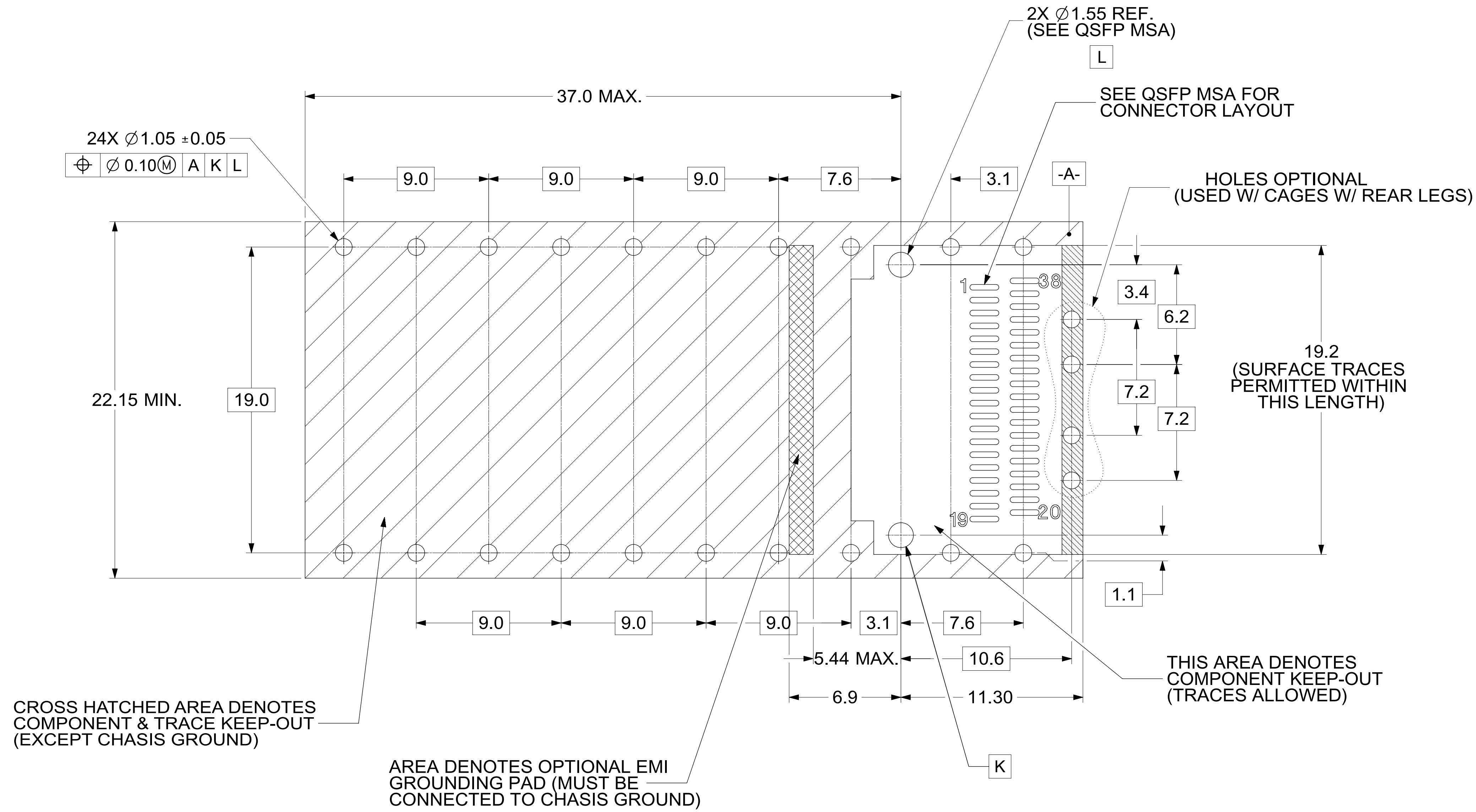
QSFP+ 1X1 CAGE ASSEMBLY
 W / ELASTOMERIC GASKET, SUS INNER SPRING
 FINGER (ROUND & SQUARE)

PRODUCT CUSTOMER DRAWING

DOCUMENT NUMBER	DOC TYPE	DOC PART	REVISION
747503022	PSD	ASY	A1

MATERIAL NUMBER	CUSTOMER	SHEET NUMBER
SEE SHEET 4		5 OF 9

PCB LAYOUT FOR BELLY-TO-BELLY APPLICATIONS

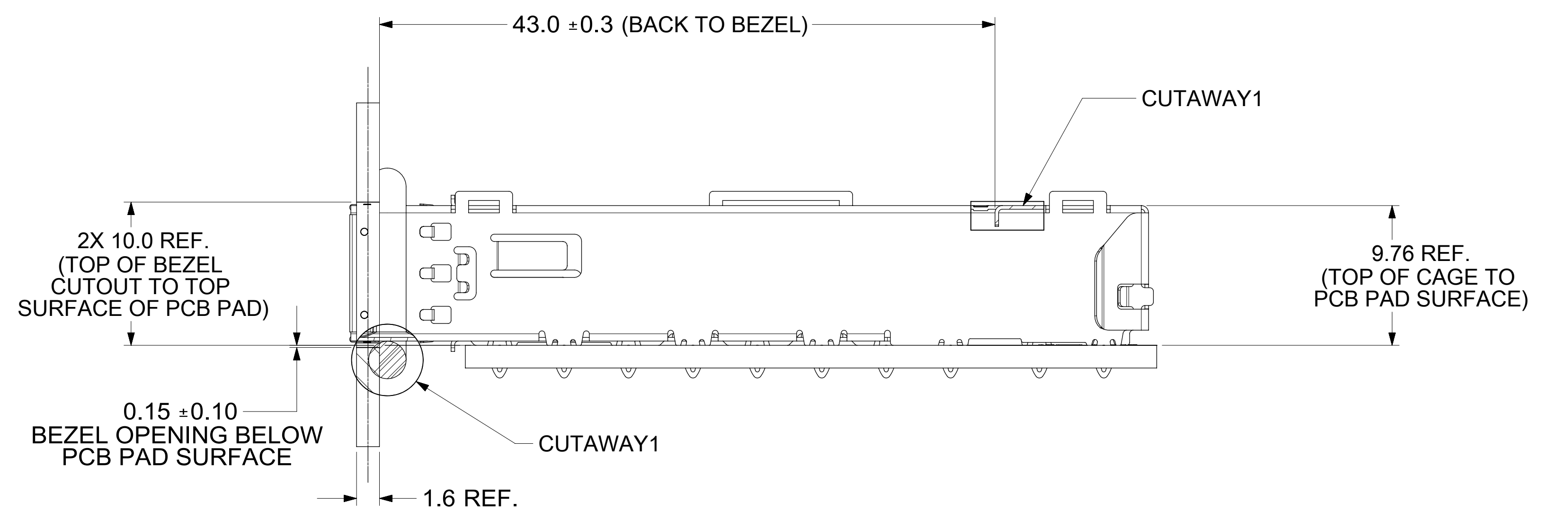
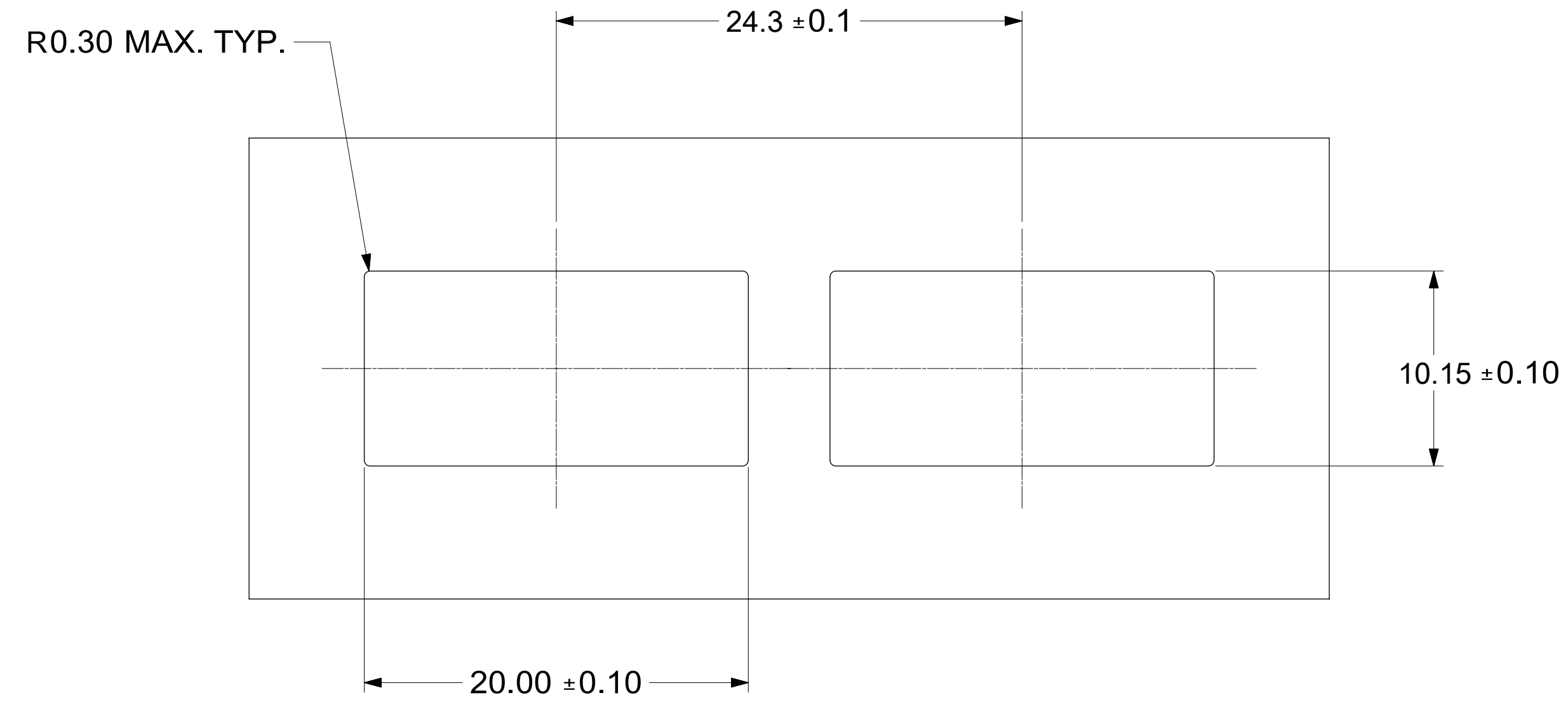


NOTE:
FOR RECOMENDED CENTER
OF LIGHT PIPES,
SEE SHEET 5

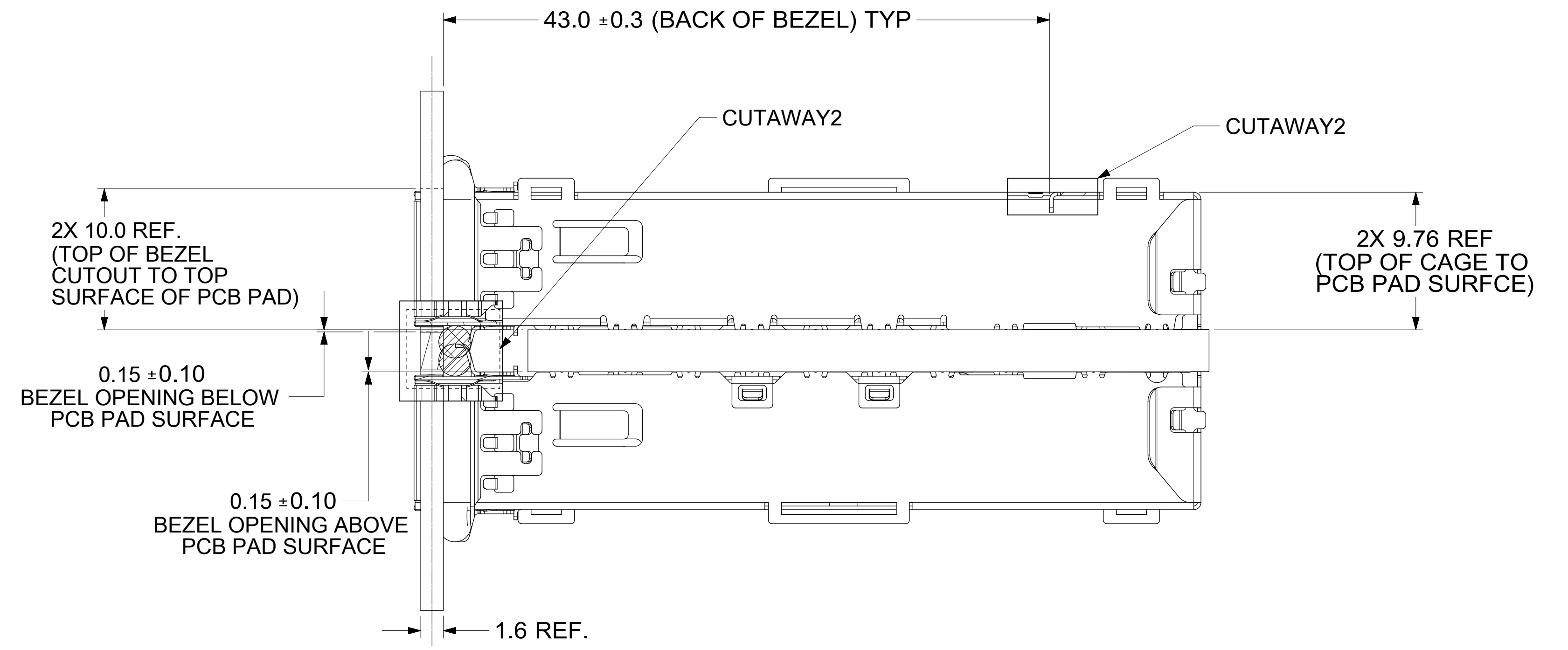
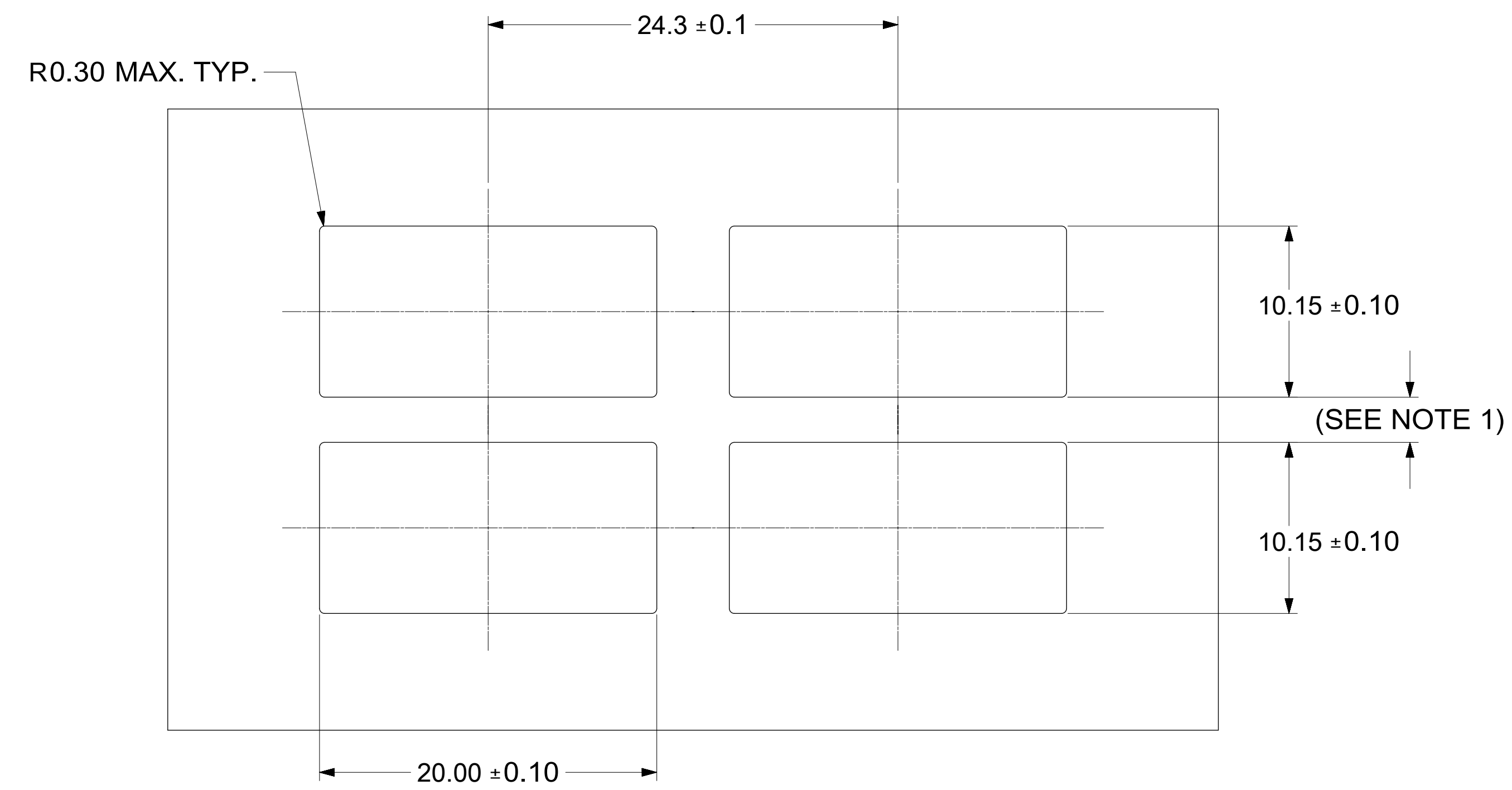
- NOTES:
- DATUM -A- IS TOP SURFACE OF HOST BOARD PER MSA
 - FINISHED HOLE SIZE (AFTER PLATING)
 - DATUM -K- IS HOST BOARD THRU HOLE #1 TO ACCEPT CONNECTOR GUIDE POST PER MSA
 - DATUM -L- IS HOST BOARD THRU HOLE #2 TO ACCEPT CONNECTOR GUIDE POST PER MSA
 - BELLY TO BELLY BOARD THICKNESS:
NOMINAL: 2.90 mm
MINIMUM: 2.48 mm

THIS DRAWING CONTAINS INFORMATION THAT IS PROPRIETARY TO MOLEX ELECTRONIC TECHNOLOGIES, LLC AND SHOULD NOT BE USED WITHOUT WRITTEN PERMISSION										
DIMENSION UNITS	SCALE	CURRENT REV DESC: SEE REV TABLE.								
mm	6:1	<p style="text-align: center;">molex</p> <p style="text-align: center;">QSFP+ 1X1 CAGE ASSEMBLY W / ELASTOMERIC GASKET, SUS INNER SPRING FINGER (ROUND & SQUARE)</p> <p style="text-align: center;">PRODUCT CUSTOMER DRAWING</p>								
GENERAL TOLERANCES (UNLESS SPECIFIED)										
ANGULAR TOL	± 1.0°									
4 PLACES	±									
3 PLACES	±									
2 PLACES	± 0.13	EC NO: 735397	DRWN: VISHNM2		2022/10/19					
1 PLACE	± 0.25	CHK'D: PRARTP	2023/01/18							
0 PLACES	±	APPR: SCHIEN	2023/01/18							
DRAFT WHERE APPLICABLE MUST REMAIN WITHIN DIMENSIONS		THIRD ANGLE PROJECTION		DRAWING	SERIES	MATERIAL NUMBER	CUSTOMER	SHEET NUMBER		
				D-SIZE	74750	747503022	PSD ASY A1	6 OF 9		
						SEE SHEET 4				

BEZEL AND BOARD POSITION DIMENSIONS FOR SINGLE SIDE MOUNTING



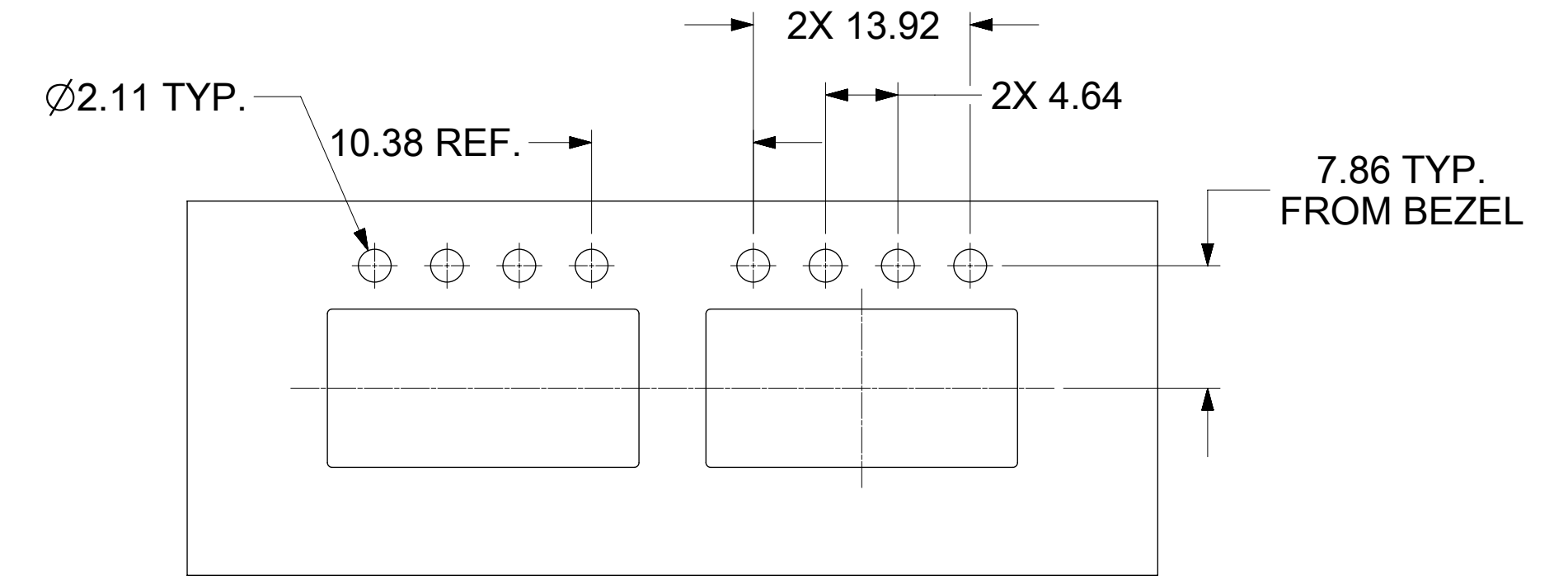
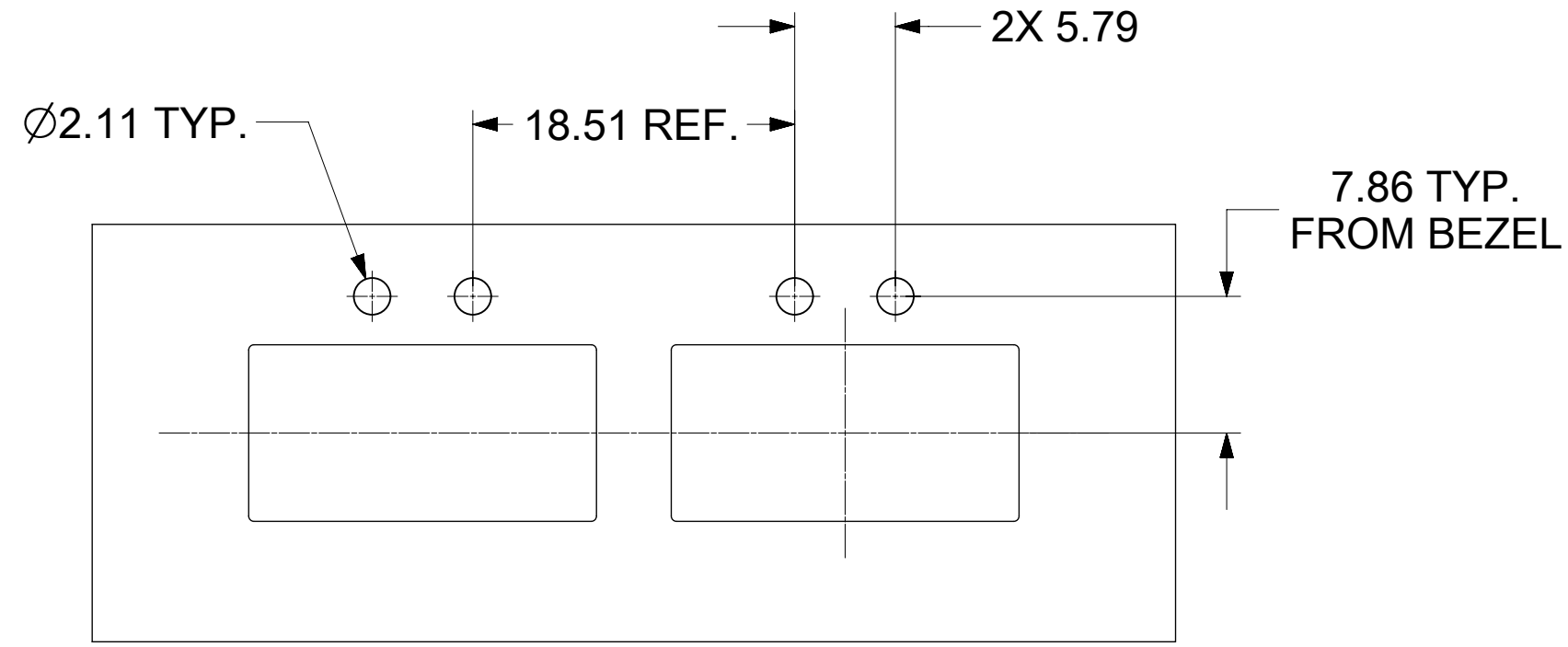
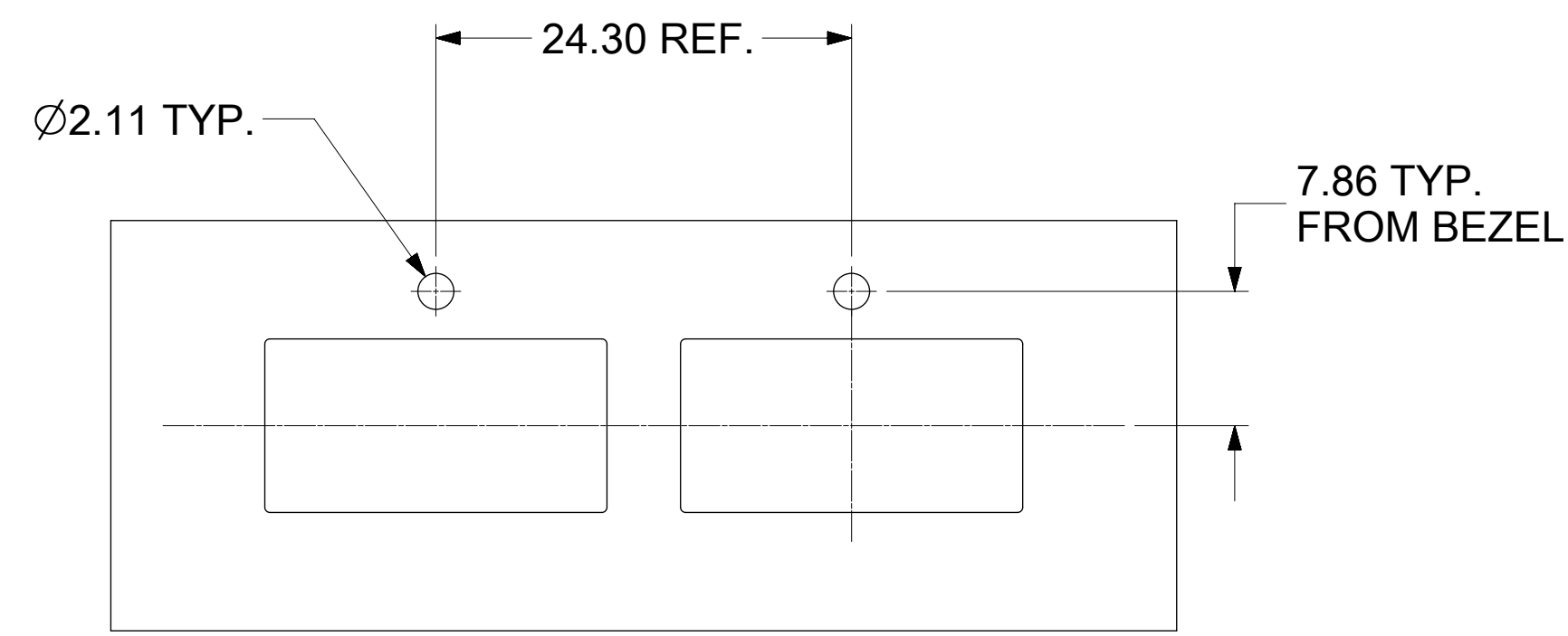
BEZEL AND BOARD POSITION DIMENSIONS FOR BELLY TO BELLY MOUNTING



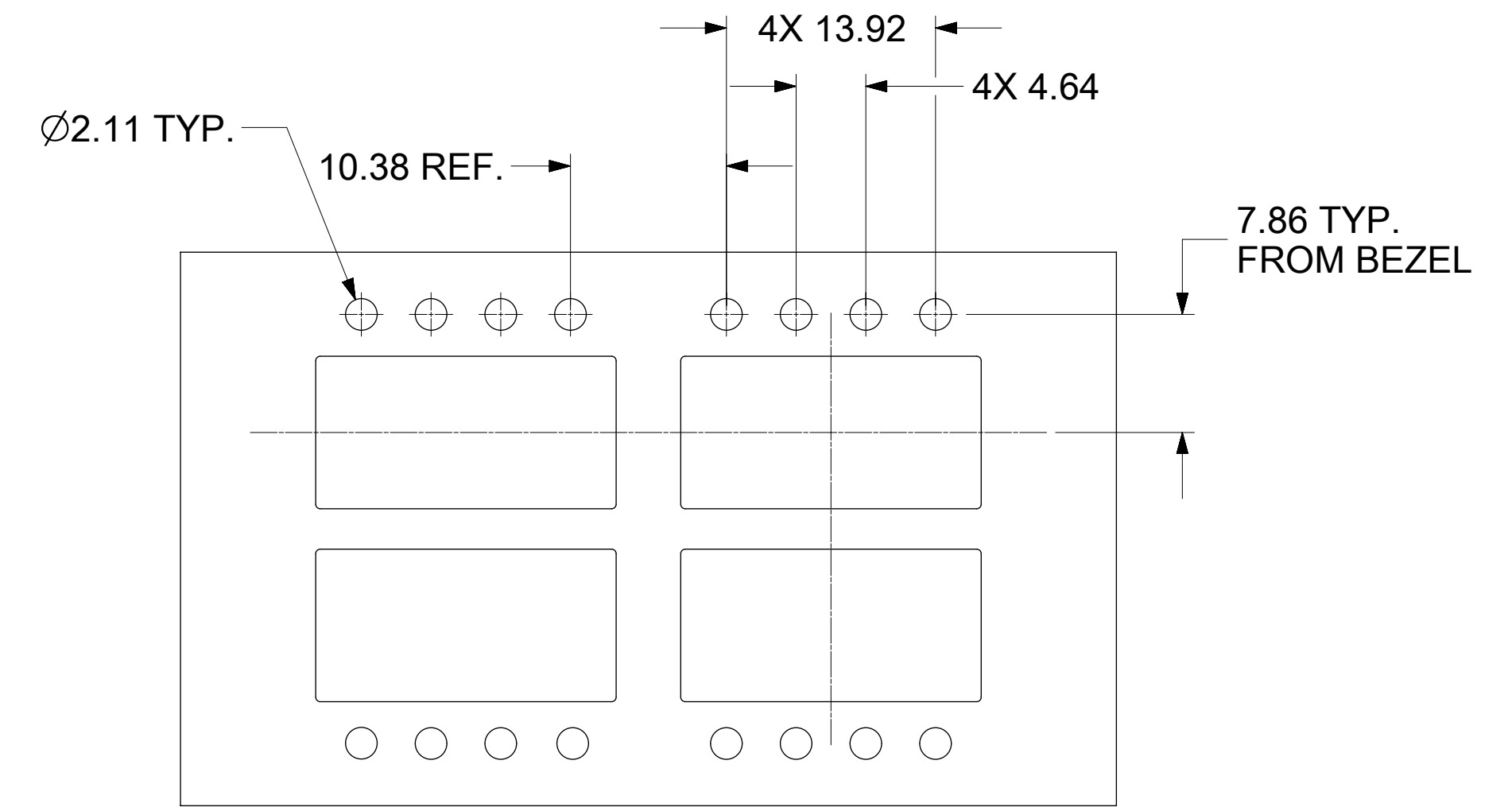
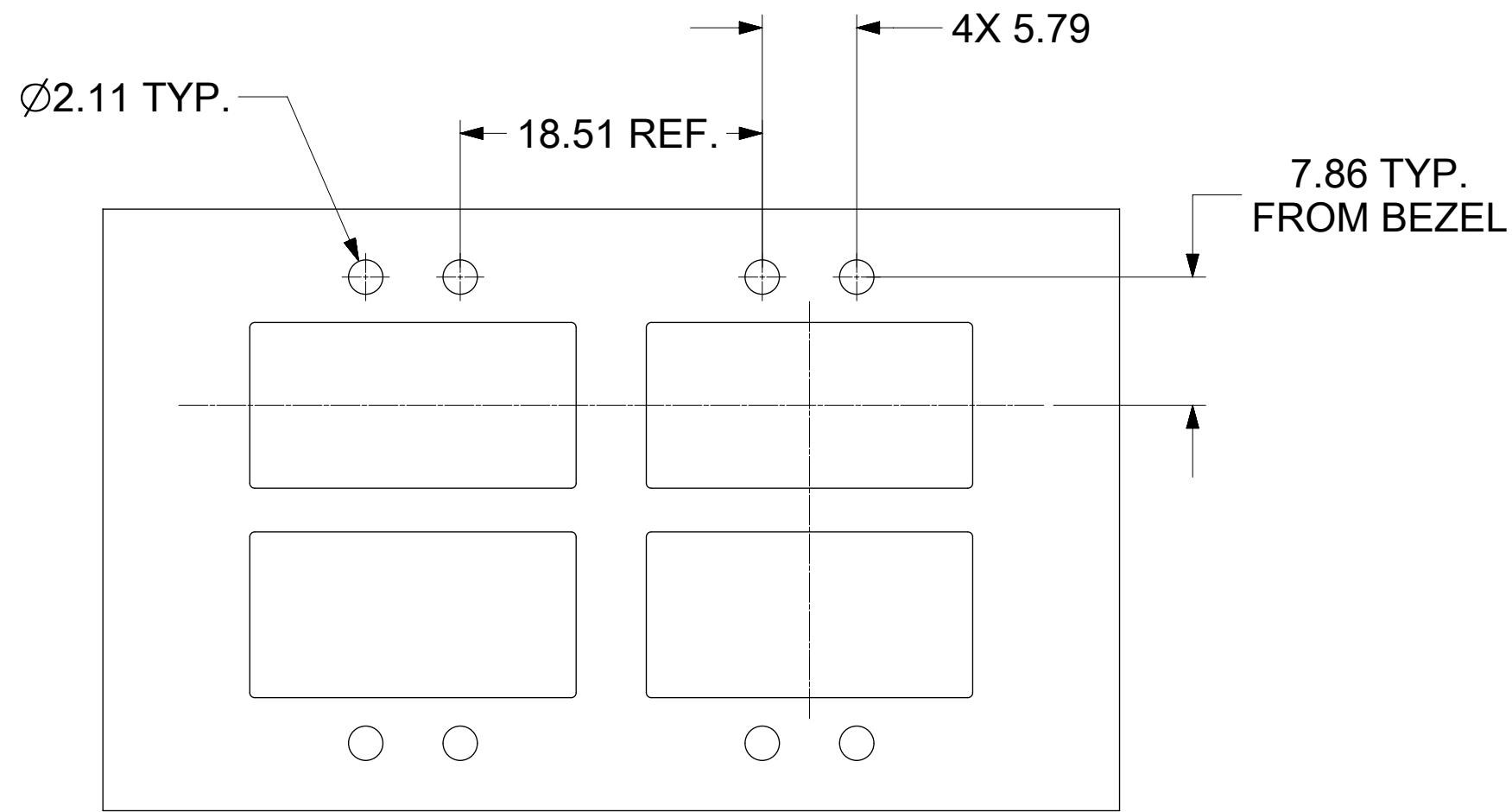
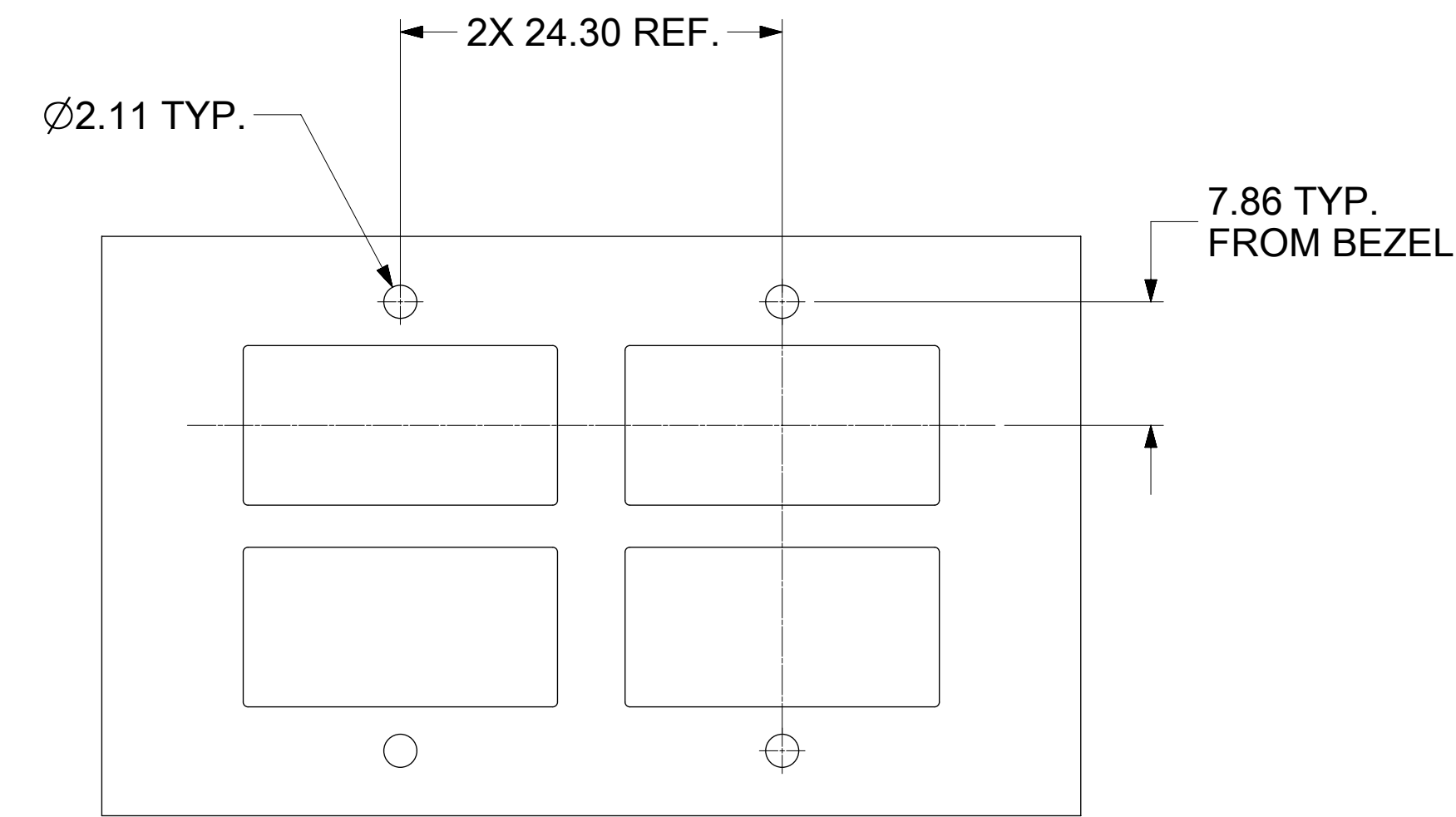
NOTE:
1. PCB THICKNESS VARIATION MUST BE CONSIDERED WHEN DETERMINING BEZEL OPENING, SIZE, AND LOCATION.

THIS DRAWING CONTAINS INFORMATION THAT IS PROPRIETARY TO MOLEX ELECTRONIC TECHNOLOGIES, LLC AND SHOULD NOT BE USED WITHOUT WRITTEN PERMISSION									
DIMENSION UNITS	SCALE	CURRENT REV DESC: SEE REV TABLE.							
mm	4:1	<p>molex</p> <p>QSFP+ 1X1 CAGE ASSEMBLY W / ELASTOMERIC GASKET, SUS INNER SPRING FINGER (ROUND & SQUARE)</p> <p>PRODUCT CUSTOMER DRAWING</p> <p>DOCUMENT NUMBER: 747503022 DOC TYPE: PSD DOC PART: ASY REVISION: A1</p> <p>MATERIAL NUMBER: SEE SHEET 4 CUSTOMER: SHEET NUMBER: 7 OF 9</p>							
GENERAL TOLERANCES (UNLESS SPECIFIED)									
ANGULAR TOL	± 1.0°								
4 PLACES	±								
3 PLACES	±								
2 PLACES	± 0.13								
1 PLACE	± 0.25								
0 PLACES	±								
DRAFT WHERE APPLICABLE MUST REMAIN WITHIN DIMENSIONS		THIRD ANGLE PROJECTION	DRAWING	SERIES	<p>EC NO: 735397</p> <p>DRWN: VISHNM2 2022/10/19</p> <p>CHK'D: PRARTP 2023/01/18</p> <p>APPR: SCHIEN 2023/01/18</p> <p>INITIAL REVISION:</p> <p>DRWN: PKH 2022/05/27</p> <p>APPR: SCHIEN 2022/07/07</p>				
			D-SIZE	74750					

BEZEL LIGHT PIPE CUTOUT POSITION DIMENSIONS FOR SINGLE SIDE MOUNTING



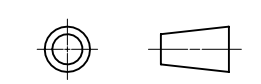
BEZEL LIGHT PIPE CUTOUT POSITION DIMENSIONS FOR BELLY-TO-BELLY MOUNTING



NOTE:
1. PCB THICKNESS VARIATION MUST BE CONSIDERED WHEN DETERMINING BEZEL OPENING, SIZE, AND LOCATION.

THIS DRAWING CONTAINS INFORMATION THAT IS PROPRIETARY TO MOLEX ELECTRONIC TECHNOLOGIES, LLC AND SHOULD NOT BE USED WITHOUT WRITTEN PERMISSION											
DIMENSION UNITS		SCALE		CURRENT REV DESC: SEE REV TABLE.							
mm		2.5:1									
GENERAL TOLERANCES (UNLESS SPECIFIED)				EC NO: 735397						QSFP+ 1X1 CAGE ASSEMBLY W / ELASTOMERIC GASKET, SUS INNER SPRING FINGER (ROUND & SQUARE)	
ANGULAR TOL ± 1.0°				DRWN: VISHNM2 2022/10/19						PRODUCT CUSTOMER DRAWING	
4 PLACES ±				CHK'D: PRARTP 2023/01/18						DOCUMENT NUMBER	
3 PLACES ±				APPR: SCHIEN 2023/01/18						747503022	
2 PLACES ± 0.13				INITIAL REVISION:						DOC TYPE	
1 PLACE ± 0.25				DRWN: PKH 2022/05/27						PSD	
0 PLACES ±				APPR: SCHIEN 2022/07/07						AS Y	
DRAFT WHERE APPLICABLE MUST REMAIN WITHIN DIMENSIONS				THIRD ANGLE PROJECTION		DRAWING		SERIES		REVISION	
						D-SIZE		74750		A1	
						MATERIAL NUMBER		CUSTOMER		SHEET NUMBER	
						SEE SHEET 4				8 OF 9	

REV	DATE	DESCRIPTION
A	2022/06/25	INITIAL RELEASE
A1	2022/10/29	SHEET 01 : H12,G17,H17 : VIEWS UPDATED TO ACHIEVE PROPER GASKET VIEW.

THIS DRAWING CONTAINS INFORMATION THAT IS PROPRIETARY TO MOLEX ELECTRONIC TECHNOLOGIES, LLC AND SHOULD NOT BE USED WITHOUT WRITTEN PERMISSION													
DIMENSION UNITS		SCALE		CURRENT REV DESC: SEE REV TABLE.				molex					
mm		1:1											
GENERAL TOLERANCES (UNLESS SPECIFIED)				EC NO: 735397 DRWN: VISHNM2 2022/10/19 CHK'D: PRARTP 2023/01/18 APPR: SCHIEN 2023/01/18 INITIAL REVISION: DRWN: PKH 2022/05/27 APPR: SCHIEN 2022/07/07				DOCUMENT NUMBER		DOC TYPE	DOC PART	REVISION	
ANGULAR TOL		± 1.0°						747503022		PSD	ASY	A1	
4 PLACES		±											
3 PLACES		±											
2 PLACES		± 0.13											
1 PLACE		± 0.25											
0 PLACES		±											
DRAFT WHERE APPLICABLE MUST REMAIN WITHIN DIMENSIONS				THIRD ANGLE PROJECTION		DRAWING	SERIES	MATERIAL NUMBER	CUSTOMER	SHEET NUMBER			
						D-SIZE	74750	SEE SHEET 4		9 OF 9			

DOCUMENT STATUS	P1	RELEASE DATE	2023/01/18	07:47:29
-----------------	----	--------------	------------	----------