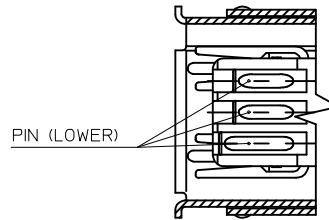
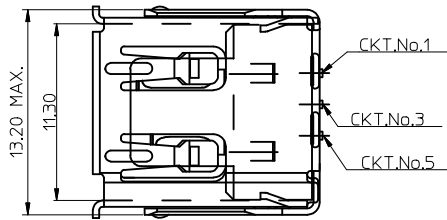
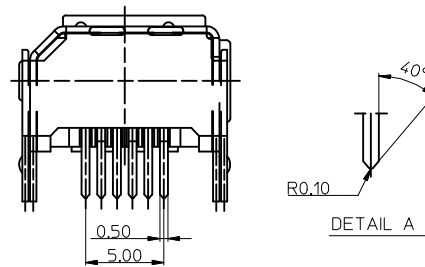
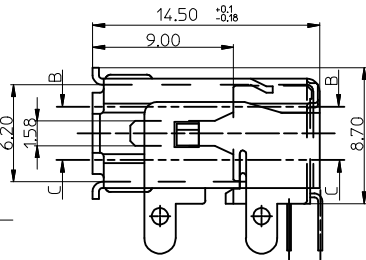
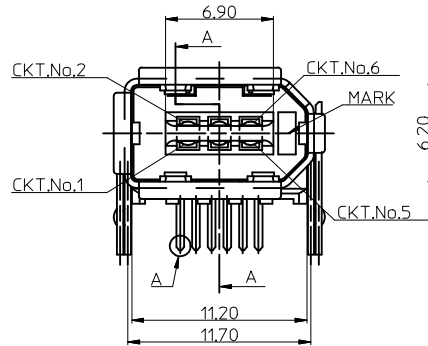


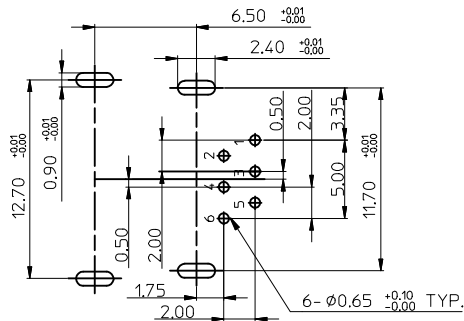
SEC B-B



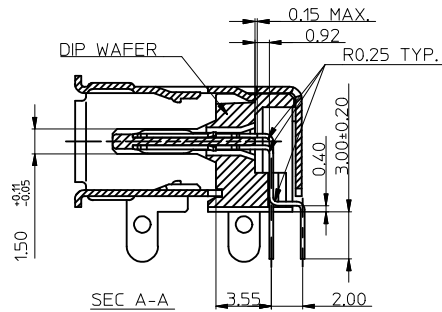
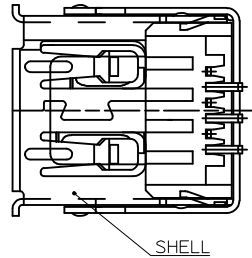
SEC C-C



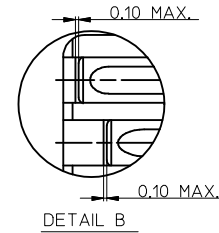
DETAIL A



P.C.BOARD HOLE DIM
(COMPONENT SIDE)



SEC A-A



DETAIL B

NOTE:

- 1.MATERIAL:
HOUSING: POLYMAIDE, GLASS FIBER REINFORCED, UL94-V0, COLOR: BLACK.
TERMINAL: BRASS.
METAL SHELL: PHOSPHOR BRONZE.
- 2.PLATING:
TERMINAL:
CONTACT AREA: GOLD (Au), THICKNESS=30 MICROINCH MINIMUM.
SOLDER TAIL: TIN(Sn), THICKNESS=120 MICROINCH MINIMUM.
UNDER PLATE: NICKEL (Ni) OVERALL.

SURFACE APPEARANCE: BRIGHT.
METAL SHELL:
NON IR REFLOW PROCESS:
TIN(Sn), THICKNESS=80 MICROINCH MINIMUM.
UNDER PLATE:
NICKEL (Ni) OVERALL.
SURFACE APPEARANCE: BRIGHT.
- 3.PRODUCT SPECIFICATION: REFER TO PS-67839-002
- 4.PACKAGING SPECIFICATION: REFER TO PK-67839-002
- 5.TEST SUMMARY: REFER TO TS-67839-002
- 6.LEAD FREE AND ROHS COMPLIANCE PRODUCT

LEAD FREE FOR 67839 EC NO: SH2006-0516 DRAWN: ALL IN CHKD: APPR: WMSCHANG	2006/05/15 2006/05/15 2006/05/17	DESCRIPTION B	QUALITY SYMBOLS ▽=0 ◻=0	GENERAL TOLERANCES (UNLESS SPECIFIED)		DIMENSION STYLE MM ONLY		SCALE	DESIGN UNITS METRIC	THIRD ANGLE PROJECTION
					mm	INCH	DRAWN BY IVY LIN	DATE 2006/04/10	TITLE 2.0 I/O CONNECTOR SOCKET RIGHT ANGLE FLAT DIP (LEAD FREE VERSION)	
				4 PLACES ± --- ± ---	3 PLACES ± --- ± ---	2 PLACES ± 0.25 ± ---	1 PLACE ± 0.25 ± ---	CHECKED BY ALLEN LIN	DATE 2006/04/11	MOLEX INCORPORATED
				ANGULAR ± 3 °		APPROVED BY WILSON CHANG		DATE 2006/04/11	DOCUMENT NO. SD-67839-002	
DRAFT WHERE APPLICABLE MUST REMAIN WITHIN DIMENSIONS				SIZE A4	THIS DRAWING CONTAINS INFORMATION THAT IS PROPRIETARY TO MOLEX INCORPORATED AND SHOULD NOT BE USED WITHOUT WRITTEN PERMISSION					