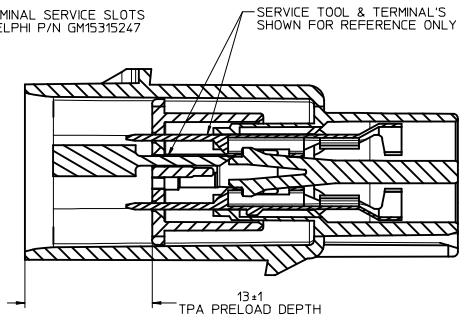
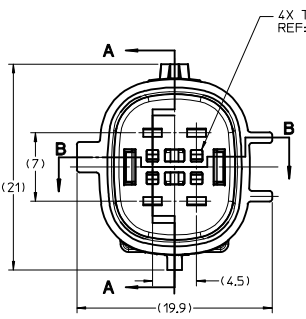
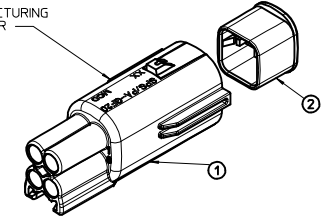
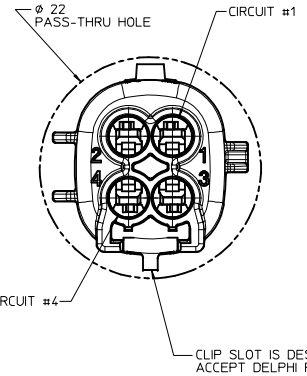


SECTION A-A
SCALE 4:1
(TPA SHOWN IN FINAL LOCK POSITION)

LOCATE THE RECYCLE CODE, MANUFACTURING IDENTIFICATION & MOLD CAVITY NUMBER IN THIS AREA



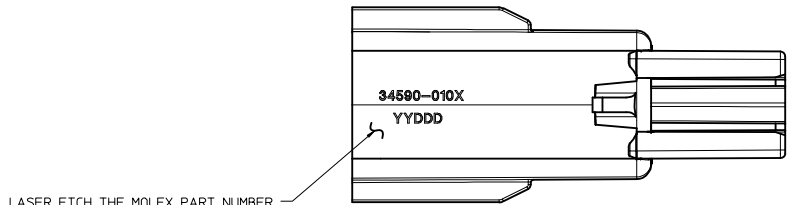
SECTION A-A
SCALE 4:1
(TPA SHOWN IN PRELOAD/SERVICE POSITION)



TERMINAL/WIRE/SEAL APPLICATIONS					
DESCRIPTION	DELPHI P/N	WIRE SIZE (mm ²)	WIRE DIAMETER RANGE	WIRE SEAL P/N	COLOR
1.5 TERMINAL (M)	15326268	0.35 - 0.5	1.85 - 1.2	15366021	WHITE
1.5 TERMINAL (M)	15326269	0.75 - 1	2.25 - 1.7	15366060	BLUE
1.5 TERMINAL (AU)	15373402	0.35 - 0.5	1.85 - 1.2	15366021	WHITE
1.5 TERMINAL (AU)	15373403	0.75 - 1	2.25 - 1.7	15366060	BLUE

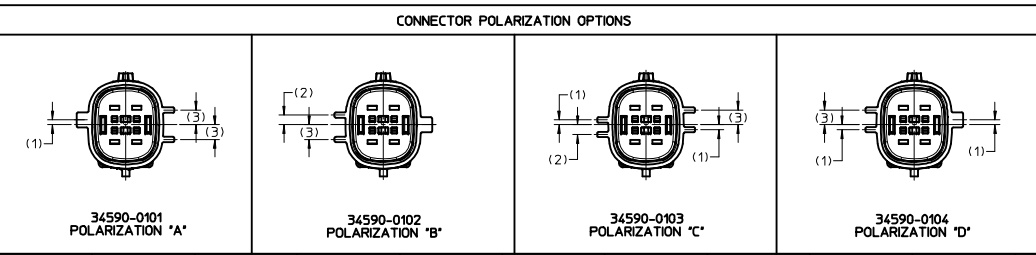
MOLEX ASM NUMBERS		GM ASM NUMBERS	
34590-0101	89047371	34590-0102	89047372
34590-0103	89047373	34590-0104	89047374

ITEM	DESCRIPTION	COLOR	PART NUMBER	NO. OF ITEMS REQUIRED
1	BLADE HSG - GM O2 SENSOR (KEY OPTION 'A')	BLACK	34591-0101	1
	BLADE HSG - GM O2 SENSOR (KEY OPTION 'B')	GREY	34591-0102	1
	BLADE HSG - GM O2 SENSOR (KEY OPTION 'C')	BROWN	34591-0103	1
	BLADE HSG - GM O2 SENSOR (KEY OPTION 'D')	GREEN	34591-0104	1
2	TERMINAL POSITION ASSURANCE DEVICE (TPA)	NATURAL	34592-0101	1 1 1 1



LASER ETCH THE MOLEX PART NUMBER & DATE CODE (YYDDD) ON THIS SURFACE

- UNLESS OTHERWISE SPECIFIED:
- CONNECTOR ASSEMBLY MUST CONFORM TO SAE/USCAR-2 REV.4 - CLASS 3
 - PARTS ARE SHIPPED WITH THE TPA IN ITS PRELOADED POSITION AS SHOWN, AND MUST BE MOVED INTO FINAL-LOCK ONCE THE CONNECTOR IS FULLY POPULATED WITH TERMINALS.
 - SEE TABLE FOR APPLICABLE TERMINALS AND WIRE SEALS.
 - UNPOPULATED CIRCUITS MAY BE PLUGGED USING DELPHI P/N 15305169
 - PARTS MUST BE FREE OF SCRATCHES, DISCOLORATION OR OTHER IMPERFECTIONS THAT MAY AFFECT FUNCTION OR FIT.
 - FINAL CONNECTOR ASSEMBLY MATES WITH RECEPTACLE CONNECTOR SPECIFIED ON MOLEX DRAWING SD-34593-100



EC NO: UAU2007-0195 DRWN: DLANGOLF 2006/10/12 CHKD: 2006/10/12 APPR: RBAUMAN 2006/10/13	QUALITY SYMBOLS -0 -0	GENERAL TOLERANCES (UNLESS SPECIFIED) mm INCH	SCALE 1:1 DESIGN UNITS METRIC	THIRD ANGLE PROJECTION REVISE ON CAD ONLY
		4 PLACES ± --- ± --- 3 PLACES ± --- ± --- 2 PLACES ± --- ± --- 1 PLACE ± --- ± ---	DIMENSION STYLE MM ONLY	TITLE BLADE CONNECTOR ASSEMBLY SEALED GM O2 SENSOR 4WAY INLINE
		ANGULAR ± --- °	CHECKED BY DATE KDEKOSKI 092404	MOLEX INCORPORATED
		DRAFT WHERE APPLICABLE MUST REMAIN WITHIN DIMENSIONS	APPROVED BY DATE RBAUMAN 092404	MATERIAL NO. DOCUMENT NO. SHEET NO. SD-34590-100 1 OF 1

THIS DRAWING CONTAINS INFORMATION THAT IS PROPRIETARY TO MOLEX INCORPORATED AND SHOULD NOT BE USED WITHOUT WRITTEN PERMISSION