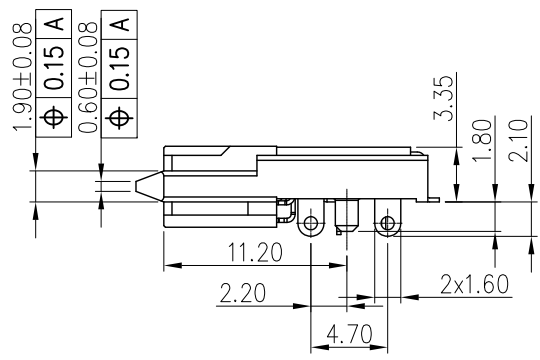
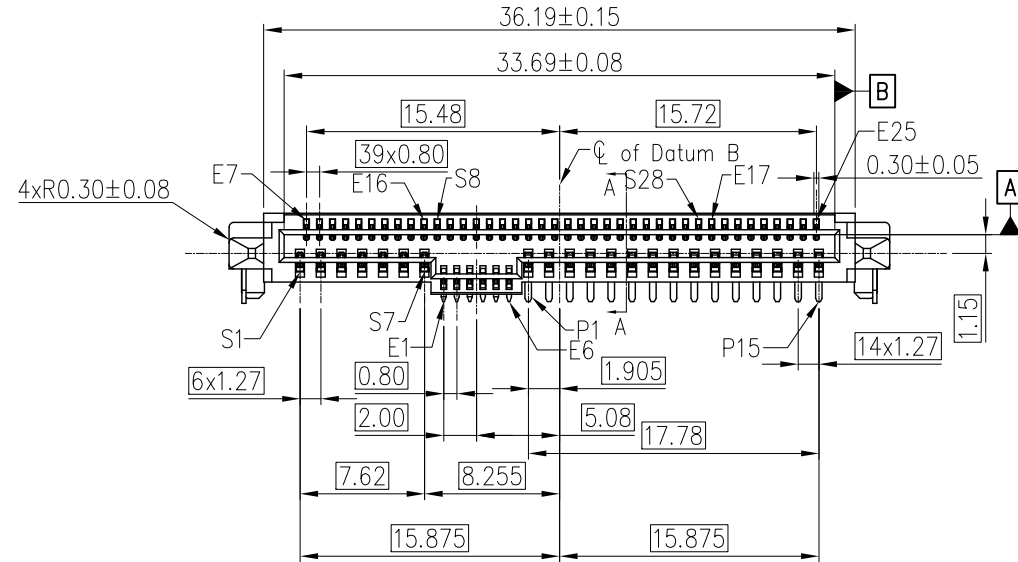
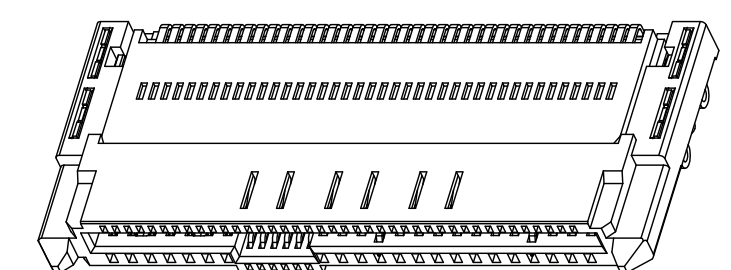
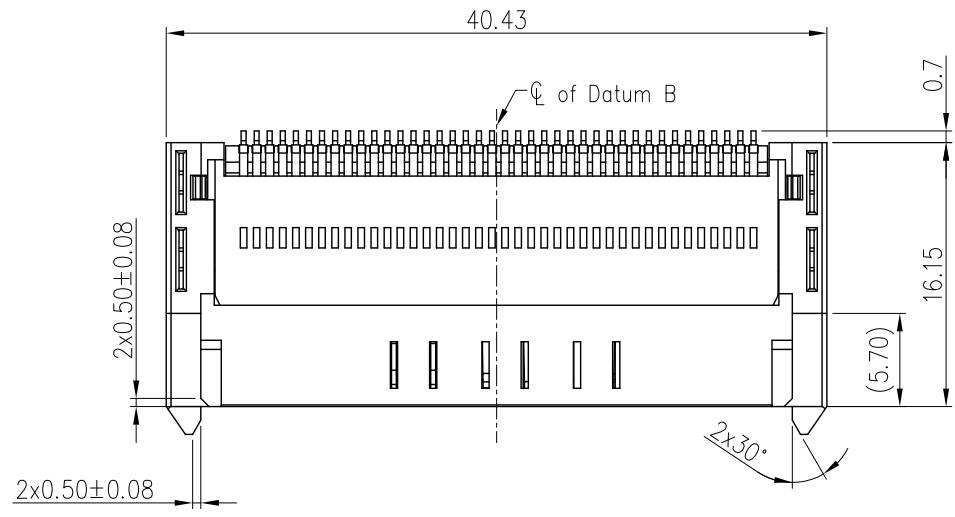
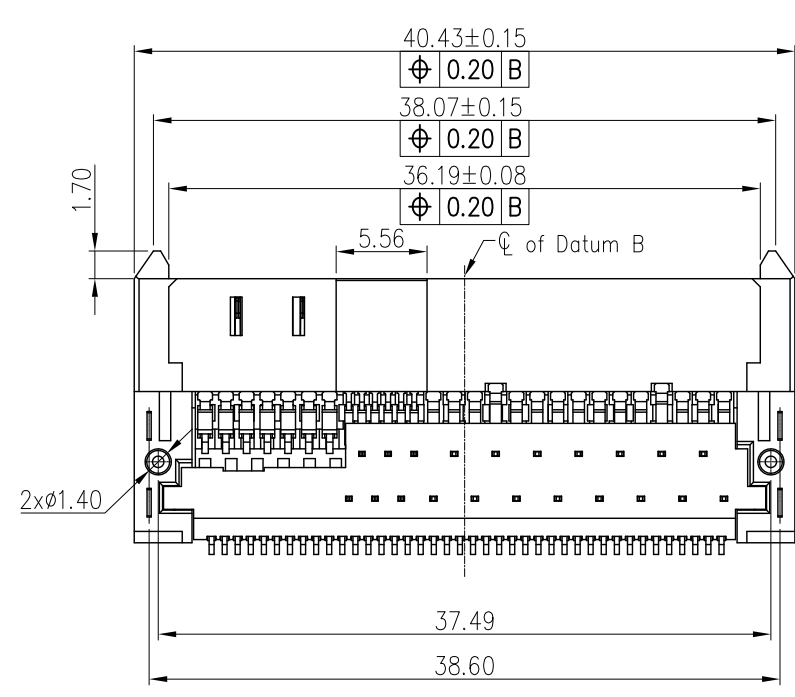
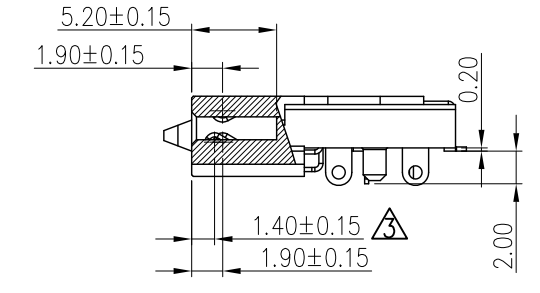


This document is the property of Amphenol Corporation and is delivered on the express condition that it is not to be disclosed, reproduced or used, in whole or in part, for manufacture or sale by anyone other than Amphenol Corporation without its prior consent, & that no right is granted to disclose or to use any information in this document.

REVISIONS				
SYM	ECN	DESCRIPTION	DATE	APPROVED
1	HK----	FIRST RELEASE	07/09/18	IP



- NOTES:
- MATERIAL HOUSING: HIGH TEMPERATURE PLASTIC. UL94V-0, BLACK.
CONTACT: COPPER ALLOY
PLATING: REFER TO P/N SYSTEM ON MATING AREA
1.27~2.54um NICKEL UNDERPLATE OVERALL
2.54~5.08um PURE MATTE TIN ON SOLDER TAIL
SOLDER CLIP: COPPER ALLOY, 2.54~5.08um PURE TIN PLATED OVERALL
1.27~2.54um NICKEL UNDERPLATE
 - ELECTRICAL SPECIFICATION:
CONTACT RESISTANCE: 30mΩ MAX.
INSULATOR RESISTANCE: 1000MΩ MIN.
DIELECTRIC WITHSTANDING VOLTAGE: 500 V AC



- PREMATING AT P4 & P12
- SUPPORT PCIe GEN 4
- ORDER P/N SYSTEM: PSAS4F413001XXX

MATING AREA PLATING PACKING STYLE

1- 0.76um MIN Au. NIL- TRAY

2- 0.38um MIN Au. TR- TAPE AND REEL

3- Gold FLASH

4- G/F over PdNi

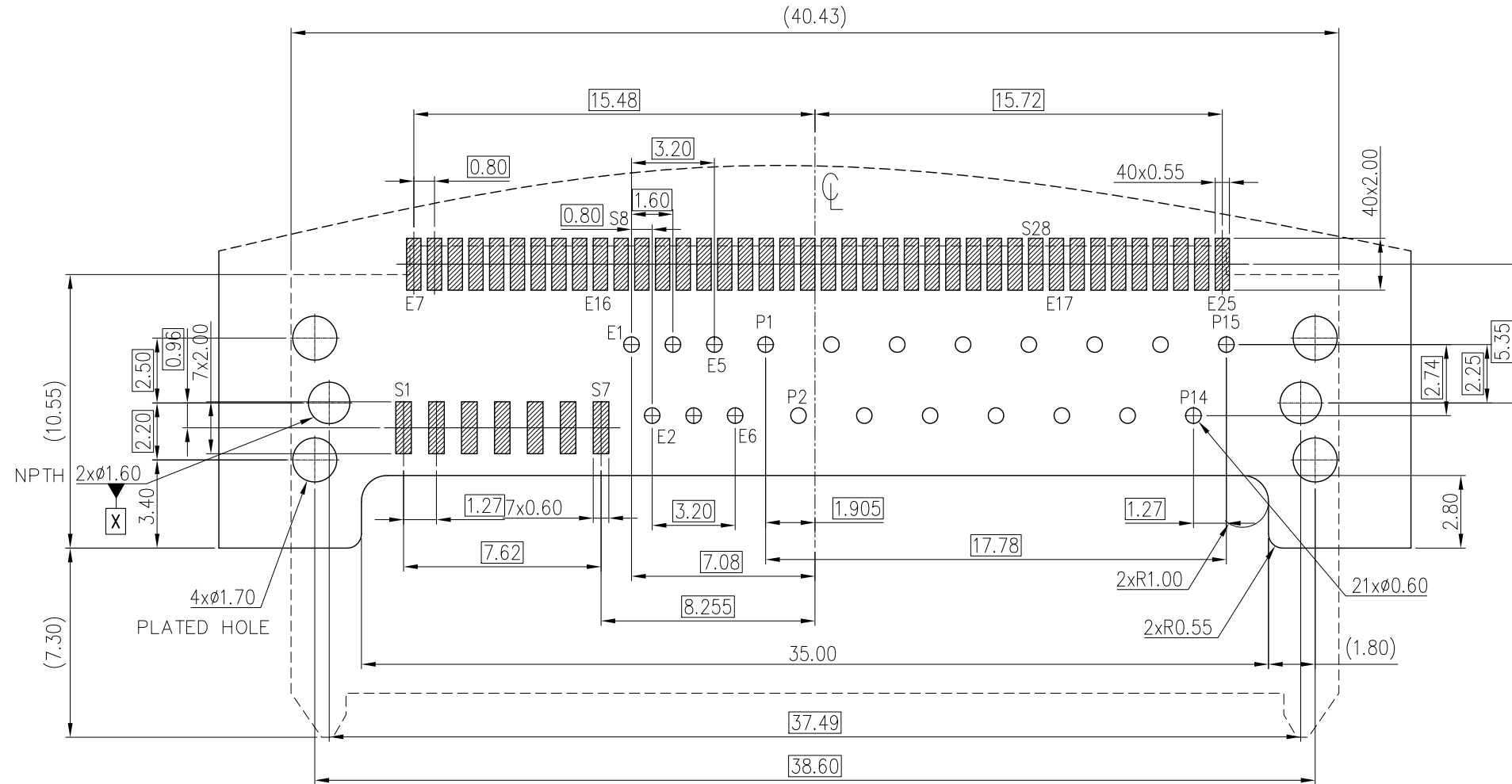
CUSTOMER DRAWING



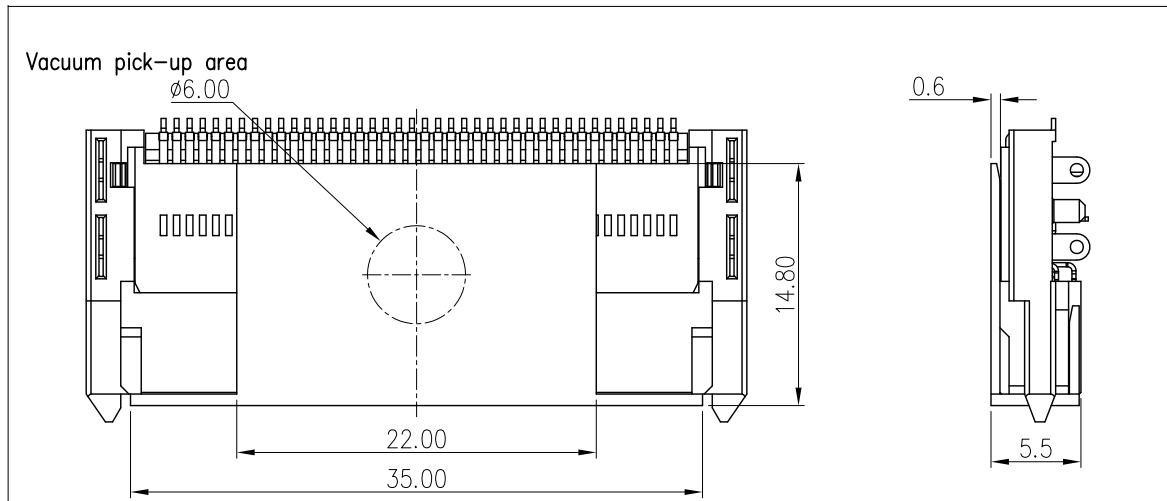
UNLESS OTHERWISE SPECIFIED TOLERANCES	U.S.	METRIC	APPROVAL	DATE	Amphenol Amphenol East Asia Limited
	.X +/-	0.20	DRAWN	07/09/18	
	.XX +/-	0.20	CHECKED		TITLE PCIe/SAS R/A HYBRID 68 PIN SOCKET
	.XXX +/-	0.20	CHECKED		
FRACTIONS +/-	3"		DRAWING FILE :		SIZE A3
ANGLES +/-			DRAWING\PSAS\PSAS4F413001XXX-1		
REMOVE SHARP EDGES			ANGLE OF PROJECTION		SCALE NONE
DIMENSIONS	U.S.	INCHES			
	(METRIC)	(MM)			REV. 1
SHEET 1 OF 2					

This document is the property of Amphenol Corporation and is delivered on the express condition that it is not to be disclosed, reproduced or used, in whole or in part, for manufacture or sale by anyone other than Amphenol Corporation without its prior consent, & that no right is granted to disclose or to use any information in this document.

REVISIONS				
SYM	ECN	DESCRIPTION	DATE	APPROVED
REFER TO SHEET 1				



RECOMMENDED PCB LAYOUT
PCB THICKNESS 2.35mm



CUSTOMER DRAWING

UNLESS OTHERWISE SPECIFIED TOLERANCES U.S. METRIC .X +/- 0.20 .XX +/- 0.20 .XXX +/- 0.20 FRACTIONS +/- 3" ANGLES +/- FOR MATERIALS AND FINISHES SEE NOTES REMOVE SHARP EDGES	APPROVAL DRAWN: Evan.Dal CHECKED: CHECKED:	DATE 07/09/18	Amphenol Amphenol East Asia Limited TITLE PCIe/SAS R/A HYBRID 68 PIN SOCKET SIZE DRAWING NO. PSAS4F413001XXX SCALE NONE SHEET 2 OF 2
	DRAWING FILE : DRAWING\PSAS\PSAS4F413001XXX-1		
	ANGLE OF PROJECTION 		
	DIMENSIONS U.S. INCHES (METRIC) (MM)		