



P-DUKE POWER

MSC15 Series

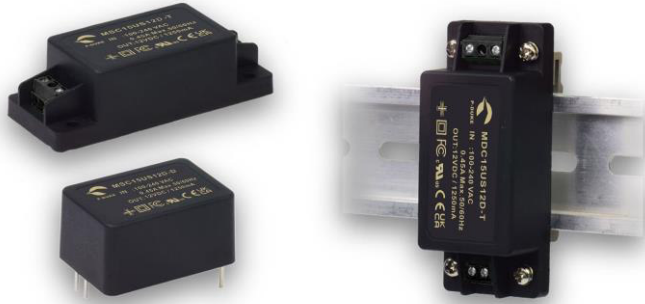
AC-DC POWER SUPPLIES
Up to 15 Watts

5
YEARS
WARRANTY

ROHS
COMPLIANT

REACH
COMPLIANT

+85°C
-40°C
AMBIENT TEMP.



Medical



Automation



Datacom



IPC



Industry



Measurement



Telecom



Automobile



Boat



Charger



PV



Railway

UL US CB CE UK CA



2 X MOPP
4000 VAC Reinforced Insulation
ADJ. Output Voltage
Internal EN55032 Class Filter B
LOW Leakage Current
LOW Standby Power
Operating Altitude 5000 meter
Protection Class II
OCP
OVP
SCP

PART NUMBER STRUCTURE

M	S	C	15	U	S	12	D	-	T
Application	Package Code	Dimension Code	Output Power (W)	Input Voltage (VAC)	Output Quantity	Output Voltage (VDC)	Protection Type		Connector Options
Medical Application	S: Encapsulated D: Din rail type			U: Universal 85 ~ 264	S: Single	3P3: 3.3 05: 5 7P5: 7.5 09: 9 12: 12 15: 15 18: 18 24: 24 28: 28 36: 36 48: 48 53: 53	D: CLASS II B: CLASS II※		T: Terminal Block M: Molex D: Pin Type □: JST

※NRND: Not recommended for new designs

TECHNICAL SPECIFICATION All specifications are typical at 230VAC input, full load and 25°C unless otherwise noted

Model Number	Input Range	Output Voltage	Output Current Natural Convection	Max. Output Power	Input Power @No Load	Efficiency	Maximum Capacitor Load
	VAC	VDC	mA	W	mW	%	µF
MSC15US3P3D-T MSC15US3P3D-D	85 ~ 264	3.3	4000	13.2	75	84	6000
MSC15US05D-T MSC15US05D-D	85 ~ 264	5	3000	15	75	86	4000
MSC15US7P5D-T MSC15US7P5D-D	85 ~ 264	7.5	2000	15	75	86	3000
MSC15US09D-T MSC15US09D-D	85 ~ 264	9	1670	15	75	86	1860
MSC15US12D-T MSC15US12D-D	85 ~ 264	12	1250	15	75	87	1200
MSC15US15D-T MSC15US15D-D	85 ~ 264	15	1000	15	75	87	820
MSC15US18D-T MSC15US18D-D	85 ~ 264	18	834	15	75	87	560
MSC15US24D-T MSC15US24D-D	85 ~ 264	24	625	15	75	88	470
MSC15US28D-T MSC15US28D-D	85 ~ 264	28	536	15	75	88	330
MSC15US36D-T MSC15US36D-D	85 ~ 264	36	417	15	75	88	220
MSC15US48D-T MSC15US48D-D	85 ~ 264	48	313	15	75	88.5	150
MSC15US53D-T MSC15US53D-D	85 ~ 264	53	284	15	75	89	82

INPUT SPECIFICATIONS

Parameter	Conditions	Min.	Typ.	Max.	Unit
Operating input voltage range	AC input	85		264	VAC
	DC input	120		370	VDC
Input frequency	AC input	47		63	Hz
Input current	100VAC and Full Load			0.45	A
	240VAC and Full Load			0.30	
No load input power	230VAC		75		mW
Leakage current	264VAC		75		µA
Start up time	115VAC and Full Load		1500		ms
Rise time			20		ms
Hold up time	115VAC and Full Load		8		ms
Input inrush current	230VAC(cold start)		40		A
Input protection	Internal fuse			T1.6A/250VAC	

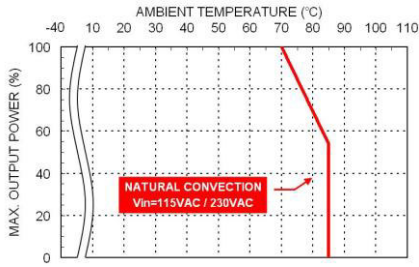
OUTPUT SPECIFICATIONS						
Parameter	Conditions		Min.	Typ.	Max.	Unit
Output power					15	Watts
Initial set voltage accuracy	230VAC and Full Load		-1.0		+1.0	%
Line regulation	Low Line to High Line at Full Load		-0.2		+0.2	%
Load regulation	No Load to Full Load	3.3Vout, 5Vout	-0.7		+0.7	%
		Others	-0.5		+0.5	
	10% Load to 90% Load	3.3Vout, 5Vout	-0.6		+0.6	%
		Others	-0.4		+0.4	
Voltage adjustability	Pin type		-10		+10	%
Minimum load				0		%
Ripple and noise	Measured by 20MHz bandwidth With a 10µF/50V 1206 X5R MLCC	3.3Vout, 5Vout		40		mVp-p
		7.5Vout, 9Vout, 12Vout, 15Vout		70		
	With a 1µF/100V 1206 X7R MLCC	18Vout, 24Vout, 28Vout, 36Vout		100		
		48Vout, 53Vout		140		
Temperature coefficient			-0.02		+0.02	%/°C
Transient response	Load step form 75 ~ 100% change at 2.5A/µs	Peak deviation		5		%Vout
		Recovery time		500		µs
Over voltage protection	% of Vout(nom); Latch mode		115		140	%
Over load protection	% of Iout rated; Hiccup mode			145		%
Short circuit protection			Continuous, automatics recovery			

GENERAL SPECIFICATIONS						
Parameter	Conditions		Min.	Typ.	Max.	Unit
Isolation voltage	1 minute (2MOPP insulation)	Input to Output	4000			VAC
Isolation resistance	500VDC		0.1			GΩ
Switching frequency	230VAC	MSC15USxxD MSC15USxx、MSC15USxxB		100 85		kHz
Safety approvals (MSC15USxxD is pending)	IEC/ EN/ ANSI/AAMI ES 60601-1 IEC/ EN/ UL 62368-1					UL:E360199 UL:E193009 CB:UL(Demko)
Weight			Connector type Pin type			48.0g (1.69oz)
						43.0g (1.53oz)
MTBF	MIL-HDBK-217F, Full load					3.063 x 10 ⁶ hrs

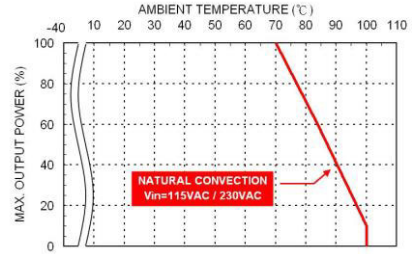
ENVIRONMENTAL SPECIFICATIONS						
Parameter	Conditions		Min.	Typ.	Max.	Unit
Operating ambient temperature	Natural convection	With derating	-40		+85	°C
Storage temperature range			-40		+85	°C
Operating altitude					5000	m
Shock						IEC60068-2-27
Vibration						IEC60068-2-6
Relative humidity	Non-condensing					5% to 95% RH

EMC SPECIFICATIONS					
Parameter	Conditions		Level		
EMI	EN55011, EN55032, EN60601-1-2, and FCC Part 18 / 15		Conducted	Class B	
			Radiated	Class B	
Harmonic currents	EN61000-3-2	Full Load		Class A	
Voltage flicker	EN61000-3-3				
EMS	EN55035 and EN60601-1-2				
ESD	EN61000-4-2			Perf. Criteria A	
Radiated immunity	EN61000-4-3	20 V/m		Perf. Criteria A	
Fast transient	EN61000-4-4	± 2kV		Perf. Criteria A	
Surge	EN61000-4-5	DM ± 1kV		Perf. Criteria A	
Conducted immunity	EN61000-4-6	20 Vr.m.s		Perf. Criteria A	
Power frequency magnetic field	EN61000-4-8	30 A/m		Perf. Criteria A	
Dip and interruptions	EN61000-4-11				

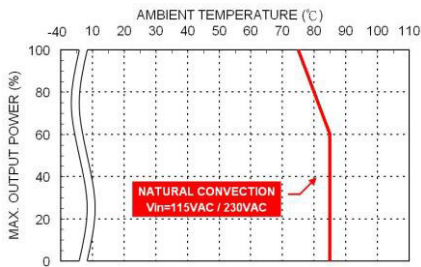
CHARACTERISTIC CURVE



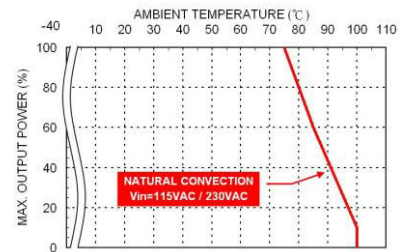
Derating Curve vs. Ambient Temperature
MSC15USxxD xx=3P3/05/7P5/09/12/15/18
Connector Option : (Blank: JST)



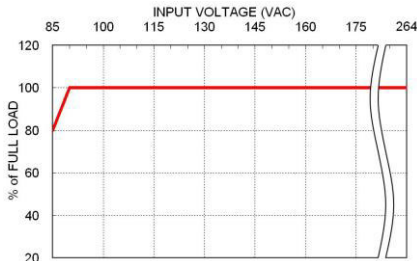
Derating Curve vs. Ambient Temperature
MSC15USxxD xx=3P3/05/7P5/09/12/15/18
Connector Option : (-M / -T / -D)



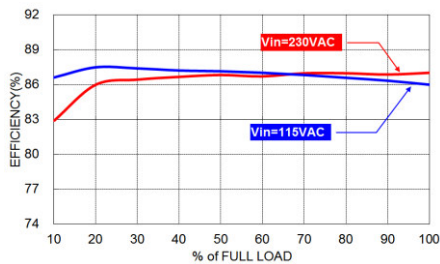
Derating Curve vs. Ambient Temperature
MSC15USxxD xx=24/28/36/48/53
Connector Option : (Blank: JST)



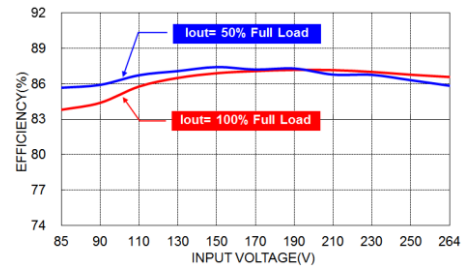
Derating Curve vs. Ambient Temperature
MSC15USxxD xx=24/28/36/48/53
Connector Option : (-M / -T / -D)



Derating Curve vs. Input Voltage



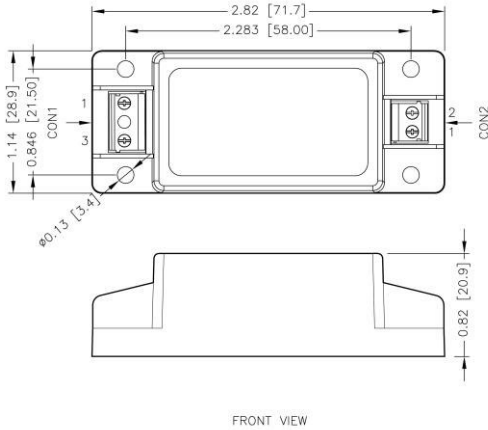
MSC15US12D Efficiency vs. Output Load



MSC15US12D Efficiency vs. Input Voltage

MECHANICAL DRAWING

MSC-T Connector type



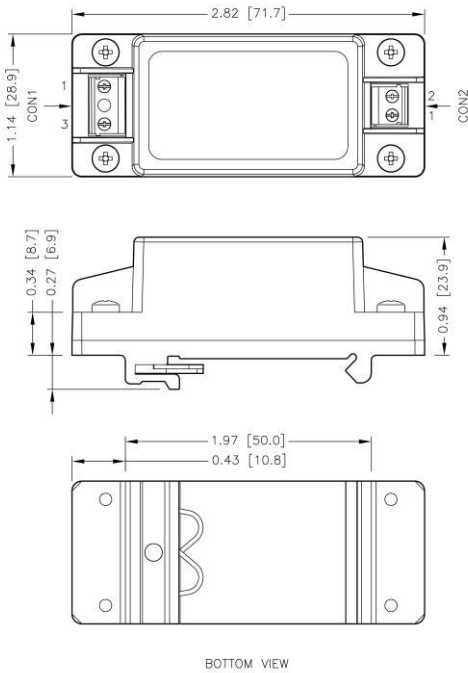
CONNECTORS CONNECTION

CON1 – Input Connector	
Pin 1	Line
Pin 3	Neutral

CON2 – Output Connector	
Pin 1	- Vout
Pin 2	+Vout

- All dimensions in inch [mm]
Tolerance : x.xx±0.02 [x.x±0.5]
x.xxx±0.010 [x.xxx±0.25]
- The screw locked torque: MAX 5.0kgf-cm/0.49N-m
- Terminal screw locked torque: MAX 4.0kgf-cm/0.39N-m

MDC-T Din rail type



- All dimensions in inch [mm]
Tolerance : x.xx±0.02 [x.x±0.5]
x.xxx±0.010 [x.xxx±0.25]
- Terminal screw locked torque: MAX 4.0kgf-cm/0.39N-m

CONNECTOR OPTIONS

Blank: JST Type



Housing
CON1: **VHR-3N**
CON2: **VHR-2N**

Crimp terminals
CON1: **SVH-21T-P1.1**
CON2: **SVH-21T-P1.1**

-M



Molex Type

Housing
CON1: **09-50-8031**
CON2: **09-50-8021**

Crimp terminals
CON1: **SD-2478**
CON2: **SD-2478**

USxxD -T



Terminal Block

Mates with
Screw locked torque
MAX 2Kgf.cm/0.2N.m

Wire dimension range
26 ~ 18AWG

-T



Terminal Block

Mates with
Screw locked torque
MAX 2Kgf.cm/0.2N.m

Wire dimension range
26 ~ 16AWG

OUTPUT VOLTAGE ADJUSTMENT

It allows the user to increase or decrease the output voltage of the module.

This is accomplished by connecting an external resistor between the Trim pin and either the +Vout or -Vout pins.

With an external resistor between the Trim and -Output pin, the output voltage increases.

With an external resistor between the Trim and +Output pin, the output voltage decreases.

The external Trim resistor needs to be at least 1/16W of rated power.

Trim Up Equation

$$R_U = \left[\frac{G \times L}{(V_{o,up} - L - K)} - H \right] \Omega$$

Trim Down Equation

$$R_D = \left[\frac{(V_{o,down} - L) \times G}{(V_o - V_{o,down})} - H \right] \Omega$$

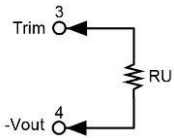
Trim Constants

Module	G	H	K	L
MSC15US3P3D-D	2000	2000	2.06	1.24
MSC15US05D-D	7500	2000	2.5	2.5
MSC15US7P5D-D	22000	2000	5	2.5
MSC15US09D-D	30000	2000	6.5	2.5
MSC15US12D-D	51000	2000	9.5	2.5
MSC15US15D-D	68000	2000	12.5	2.5
MSC15US18D-D	91000	2000	15.5	2.5
MSC15US24D-D	130000	2000	21.5	2.5
MSC15US28D-D	150000	2000	25.5	2.5
MSC15US36D-D	200000	2000	33.5	2.5
MSC15US48D-D	270000	2000	45.5	2.5
MSC15US53D-D	270000	2000	50.5	2.5

EXTERNAL OUTPUT TRIMMING

Output can be externally trimmed by using the method shown below.

Trim-up



US3P3D-D

ΔV (%)	1	2	3	4	5	6	7	8	9	10
Vout (V)	3.333	3.366	3.399	3.432	3.465	3.498	3.531	3.564	3.597	3.630
RU (k Ω)	73.152	35.576	23.051	16.788	13.030	10.525	8.736	7.394	6.350	5.515

US05D-D

ΔV (%)	1	2	3	4	5	6	7	8	9	10
Vout (V)	5.050	5.100	5.150	5.200	5.250	5.300	5.350	5.400	5.450	5.500
RU (k Ω)	373.000	185.500	123.000	91.750	73.000	60.500	51.571	44.875	39.667	35.500

US7P5D-D

ΔV (%)	1	2	3	4	5	6	7	8	9	10
Vout (V)	7.575	7.650	7.725	7.800	7.875	7.950	8.025	8.100	8.175	8.250
RU (k Ω)	731.333	364.667	242.444	181.333	144.667	120.222	102.762	89.667	79.481	71.333

US09D-D

ΔV (%)	1	2	3	4	5	6	7	8	9	10
Vout (V)	9.090	9.180	9.270	9.360	9.450	9.540	9.630	9.720	9.810	9.900
RU (k Ω)	831.333	414.667	275.778	206.333	164.667	136.889	117.048	102.167	90.593	81.333

US12D-D

ΔV (%)	1	2	3	4	5	6	7	8	9	10
Vout (V)	12.120	12.240	12.360	12.480	12.600	12.720	12.840	12.960	13.080	13.200
RU (k Ω)	1060.500	529.250	352.167	263.625	210.500	175.083	149.786	130.813	116.056	104.250

US15D-D

ΔV (%)	1	2	3	4	5	6	7	8	9	10
Vout (V)	15.150	15.300	15.450	15.600	15.750	15.900	16.050	16.200	16.350	16.500
RU (k Ω)	1131.333	564.667	375.778	281.333	224.667	186.889	159.905	139.667	123.926	111.333

OUTPUT VOLTAGE ADJUSTMENT(CONTINUED)
Trim-up

US18D-D										
ΔV (%)	1	2	3	4	5	6	7	8	9	10
Vout (V)	18.180	18.360	18.540	18.720	18.900	19.080	19.260	19.440	19.620	19.800
RU (k Ω)	1261.889	629.944	419.296	313.972	250.778	208.648	178.556	155.986	138.432	124.389

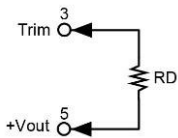
US24D-D										
ΔV (%)	1	2	3	4	5	6	7	8	9	10
Vout (V)	24.240	24.480	24.720	24.960	25.200	25.440	25.680	25.920	26.160	26.400
RU (k Ω)	1352.167	675.083	449.389	336.542	268.833	223.694	191.452	167.271	148.463	133.417

US28D-D										
ΔV (%)	1	2	3	4	5	6	7	8	9	10
Vout (V)	28.280	28.560	28.840	29.120	29.400	29.680	29.960	30.240	30.520	30.800
RU (k Ω)	1337.286	667.643	444.429	332.821	265.857	221.214	189.327	165.411	146.810	131.929

US36D-D										
ΔV (%)	1	2	3	4	5	6	7	8	9	10
Vout (V)	36.360	36.720	37.080	37.440	37.800	38.160	38.520	38.880	39.240	39.600
RU (k Ω)	1386.889	692.444	460.963	345.222	275.778	229.481	196.413	171.611	152.321	136.889

US48D-D										
ΔV (%)	1	2	3	4	5	6	7	8	9	10
Vout (V)	48.480	48.960	49.440	49.920	50.400	50.880	51.360	51.840	52.320	52.800
RU (k Ω)	1404.250	701.125	466.750	349.563	279.250	232.375	198.893	173.781	154.250	138.625

US53D-D										
ΔV (%)	1	2	3	4	5	6	7	8	9	10
Vout (V)	53.530	54.060	54.590	55.120	55.650	56.180	56.710	57.240	57.770	58.300
RU (k Ω)	1271.585	634.792	422.528	316.396	252.717	210.264	179.941	157.198	139.509	125.358

Trim-down


US3P3D-D										
ΔV (%)	1	2	3	4	5	6	7	8	9	10
Vout (V)	3.267	3.234	3.201	3.168	3.135	3.102	3.069	3.036	3.003	2.970
RD (k Ω)	120.848	58.424	37.616	27.212	20.970	16.808	13.835	11.606	9.872	8.485

US05D-D										
ΔV (%)	1	2	3	4	5	6	7	8	9	10
Vout (V)	4.950	4.900	4.850	4.800	4.750	4.700	4.650	4.600	4.550	4.500
RD (k Ω)	365.500	178.000	115.500	84.250	65.500	53.000	44.071	37.375	32.167	28.000

US7P5D-D										
ΔV (%)	1	2	3	4	5	6	7	8	9	10
Vout (V)	7.425	7.350	7.275	7.200	7.125	7.050	6.975	6.900	6.825	6.750
RD (k Ω)	1442.667	709.333	464.889	342.667	269.333	220.444	185.524	159.333	138.963	122.667

US09D-D										
ΔV (%)	1	2	3	4	5	6	7	8	9	10
Vout (V)	8.910	8.820	8.730	8.640	8.550	8.460	8.370	8.280	8.190	8.100
RD (k Ω)	2134.667	1051.333	690.222	509.667	401.333	329.111	277.524	238.833	208.741	184.667

US12D-D										
ΔV (%)	1	2	3	4	5	6	7	8	9	10
Vout (V)	11.880	11.760	11.640	11.520	11.400	11.280	11.160	11.040	10.920	10.800
RD (k Ω)	3984.500	1965.750	1292.833	956.375	754.500	619.917	523.786	451.688	395.611	350.750

US15D-D										
ΔV (%)	1	2	3	4	5	6	7	8	9	10
Vout (V)	14.850	14.700	14.550	14.400	14.250	14.100	13.950	13.800	13.650	13.500
RD (k Ω)	5596.667	2763.333	1818.889	1346.667	1063.333	874.444	739.524	638.333	559.630	496.667

OUTPUT VOLTAGE ADJUSTMENT(CONTINUED)

Trim-down

US18D-D										
ΔV (%)	1	2	3	4	5	6	7	8	9	10
Vout (V)	17.820	17.640	17.460	17.280	17.100	16.920	16.740	16.560	16.380	16.200
RD (k Ω)	7743.111	3825.056	2519.037	1866.028	1474.222	1213.019	1026.444	886.514	777.679	690.611

US24D-D										
ΔV (%)	1	2	3	4	5	6	7	8	9	10
Vout (V)	23.760	23.520	23.280	23.040	22.800	22.560	22.320	22.080	21.840	21.600
RD (k Ω)	11513.833	5690.917	3749.944	2779.458	2197.167	1808.972	1531.690	1323.729	1161.981	1032.583

US28D-D										
ΔV (%)	1	2	3	4	5	6	7	8	9	10
Vout (V)	27.720	27.440	27.160	26.880	26.600	26.320	26.040	25.760	25.480	25.200
RD (k Ω)	13508.714	6678.357	4401.571	3263.179	2580.143	2124.786	1799.531	1555.589	1365.857	1214.071

US36D-D										
ΔV (%)	1	2	3	4	5	6	7	8	9	10
Vout (V)	35.640	35.280	34.920	34.560	34.200	33.840	33.480	33.120	32.760	32.400
RD (k Ω)	18409.111	9103.556	6001.704	4450.778	3520.222	2899.852	2456.730	2124.389	1865.901	1659.111

US48D-D										
ΔV (%)	1	2	3	4	5	6	7	8	9	10
Vout (V)	47.520	47.040	46.560	46.080	45.600	45.120	44.640	44.160	43.680	43.200
RD (k Ω)	25321.750	12524.875	8259.250	6126.437	4846.750	3993.625	3384.250	2927.219	2571.750	2287.375

US53D-D										
ΔV (%)	1	2	3	4	5	6	7	8	9	10
Vout (V)	52.470	51.940	51.410	50.880	50.350	49.820	49.290	48.760	48.230	47.700
RD (k Ω)	25454.415	12591.208	8303.472	6159.604	4873.283	4015.736	3403.202	2943.802	2586.491	2300.642