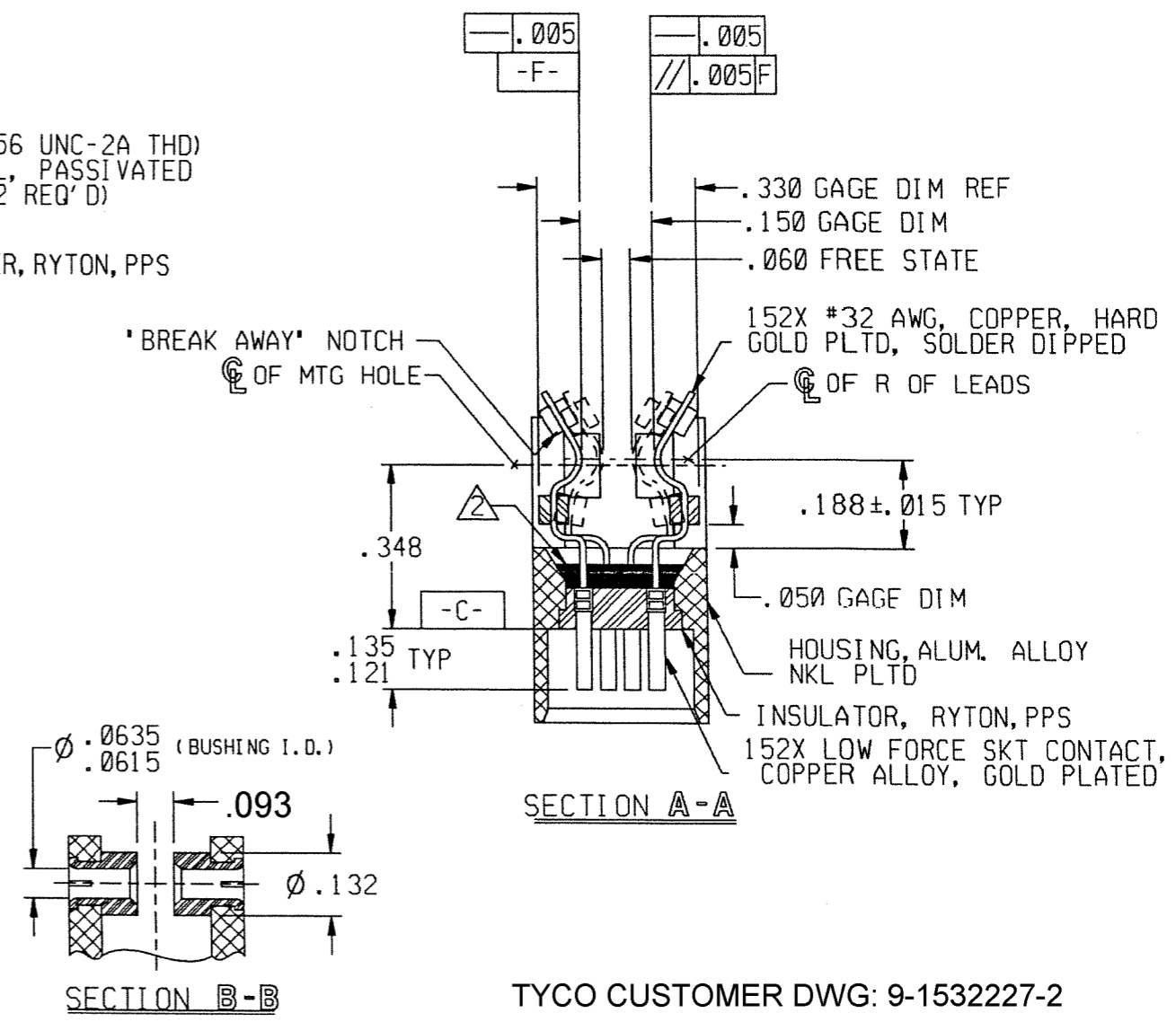
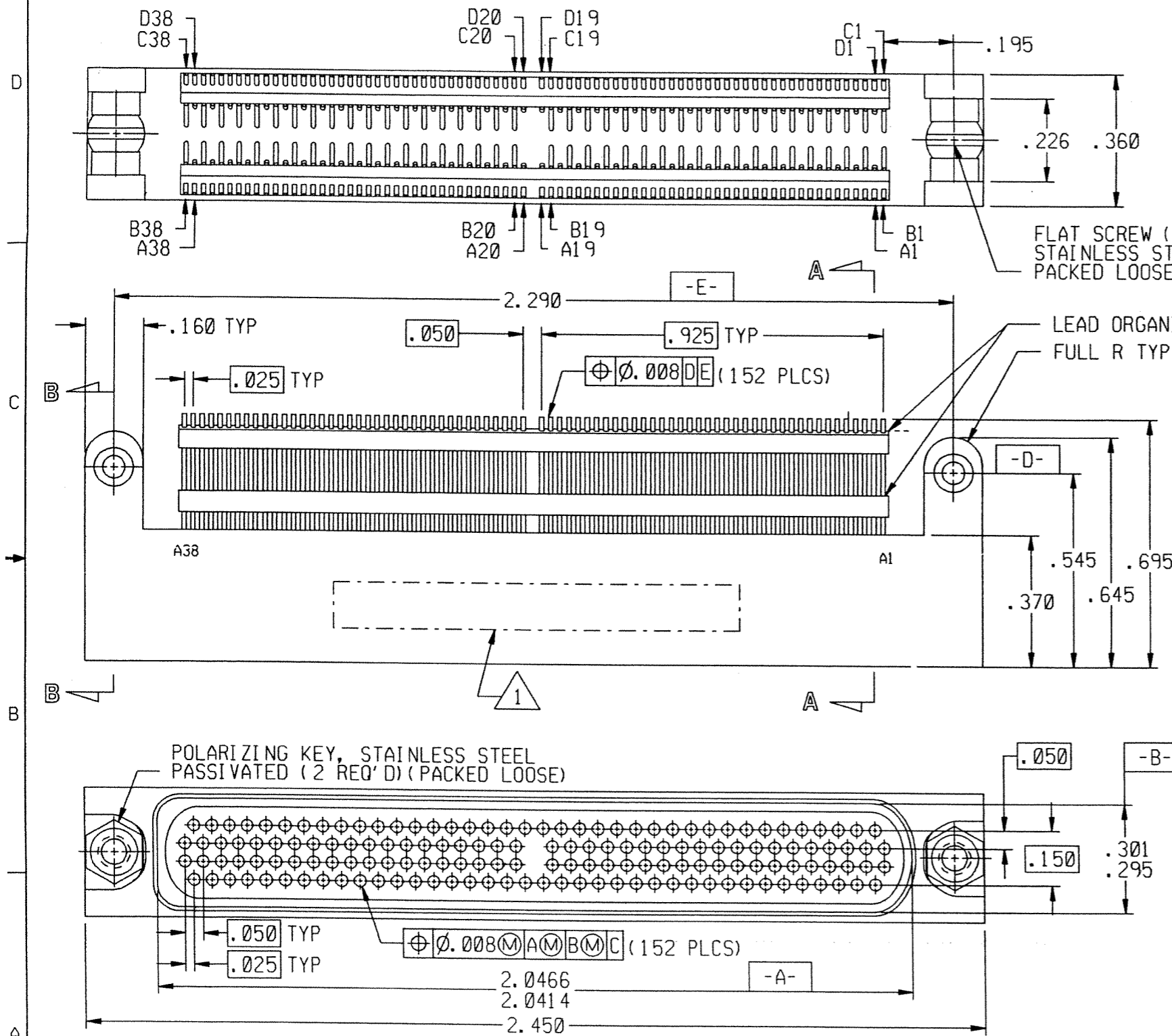


REVISION					
ZONE	LTR	ECN	DESCRIPTION	DATE	APPROVED
	A	43093	NEW RELEASE	2/6/6	TL



NOTES: UNLESS OTHERWISE SPECIFIED
 MARK PER TPD.
 POTTING COMPOUND USED IS E&C STYCAST WITH CAT 9 AND /OR E&C STYCAST WITH CAT 11.
 3. CRIMP LEADS INTO CONTACTS PER MEP302-05.

UNLESS OTHERWISE SPECIFIED DIMENSIONS ARE IN INCHES. TOLERANCE ARE:			APPROVALS		MICRODOT CONNECTORS A DIVISION OF UNI-STAR INDUSTRIES INC. 306 PASADENA AVE., SO. PASADENA, CA 91030
FRACTIONS ± 1/8	DECIMALS .XX ± .01 .XXX ± .005	ANGLES ± 2°	SIGNATURE	DATE	
MATERIAL:			TONY LEE	2/6/6	
FINISH:			P. E.		
			M. E.		HDSM1-152SLZ-2 PROD CODE 832 CODE CDM
			D. A.		
			THIS DOCUMENT IS THE PROPERTY OF MICRODOT CONNECTORS, A DIVISION OF UNI-STAR INDUSTRIES INC. USE OF THIS DOCUMENT OR ANY PART THEREOF IS STRICTLY FORBIDDEN WITHOUT THE EXPRESS WRITTEN PERMISSION OF MICRODOT CONNECTORS, A DIVISION OF UNI-STAR INDUSTRIES INC.		SIZE B CODE IDENT NO. 98278 DRAWING NO. 9-1532227-2 095-0092-1009
			SCALE: NONE		SHEET 1 OF 1