

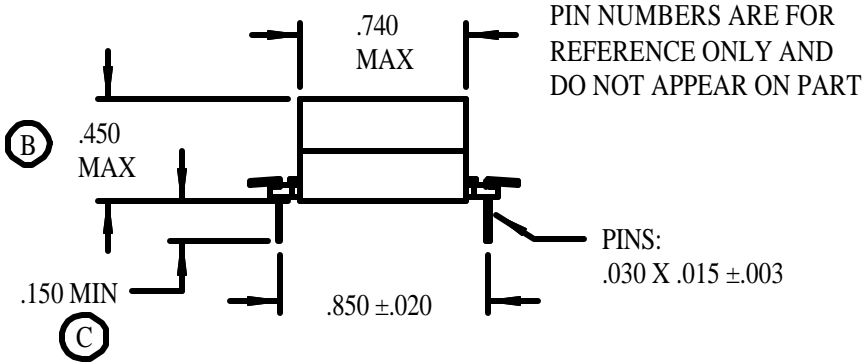
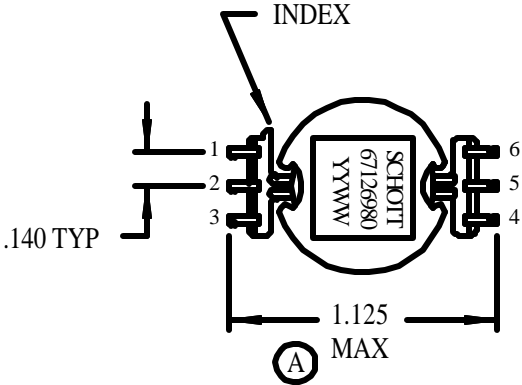
TITLE INDUCTOR, 47 μ H, 3 ADC, BUCK	SCHOTT CORPORATION 1000 PARKERS LAKE ROAD WAYZATA, MN 55391	AGENCY APPROVAL: N/A	PART NUMBER 34037
		REV A	PAGE 1 END

CATALOG NUMBER:
67126980

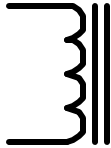
SPECIFICATIONS

- 1. TEMP CLASS 130°C.
- 2. INDUCTANCE (1,2,3-4,5,6): 42 - 50 μ H
@ 0.1 Vrms, 10 KHz.
- 3. DC RESISTANCE (1,2,3-4,5,6): 0.025 OHM MAX.
- 4. HIPOT: 250 VDC.
(2 SECONDS, 5 mA MAX)

THIS INDUCTOR IS FOR USE WITH
NATIONAL SEMICONDUCTOR REGULATORS
LM1575-XX/LM2575-XX
LK1577-XX/LM2577-XX



JUMPER ON PC BOARD 1,2,3



JUMPER ON PC BOARD 4,5,6

TOLERANCES UNLESS OTHERWISE NOTED	2 PLACE	3 PLACE	ANGLE
	+ -	+ -	+ °