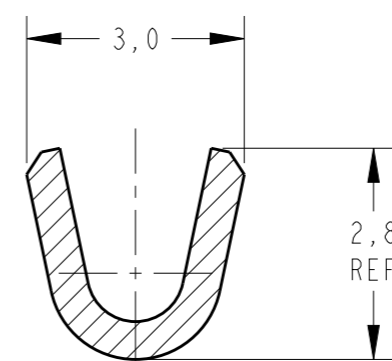
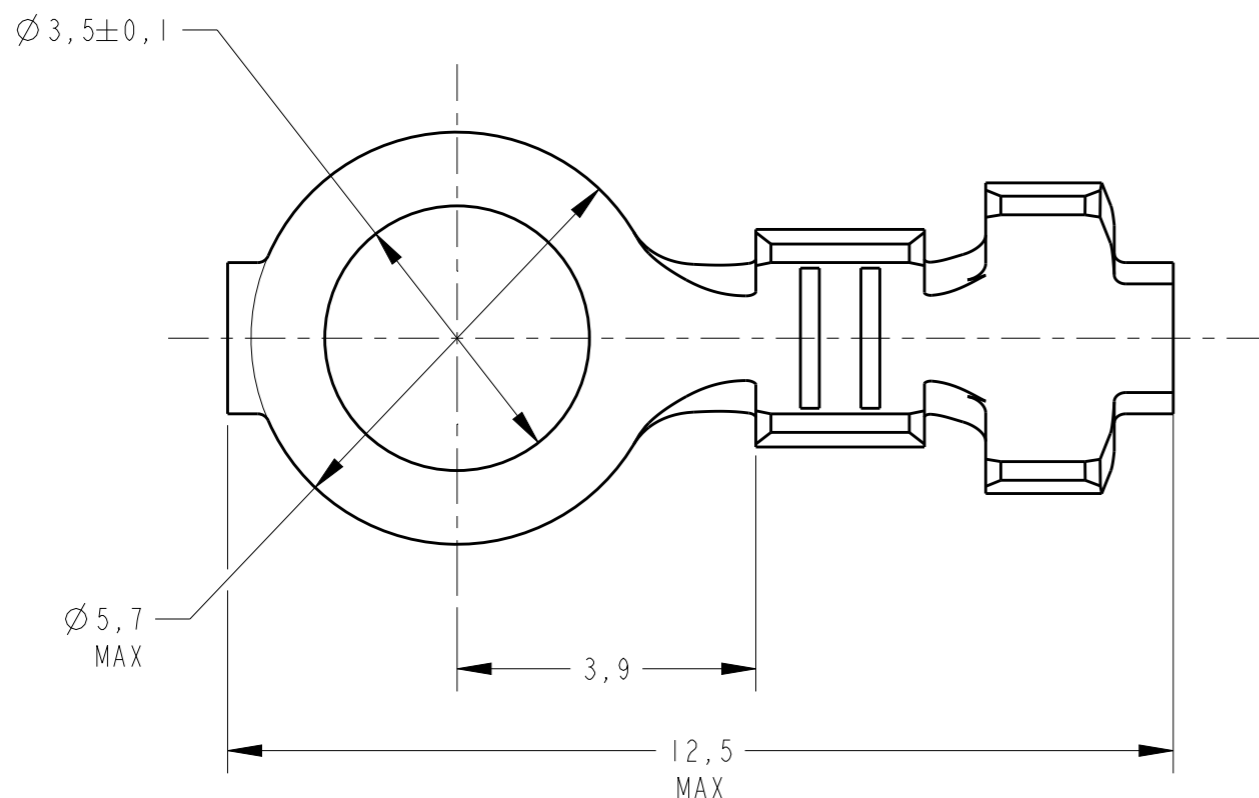


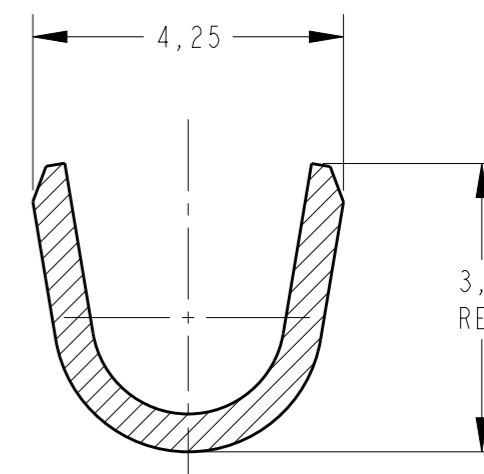
creo
Creo Parametric 2.0
DO NOT REUSE
EXCEPT BY CAD

REVISIONS

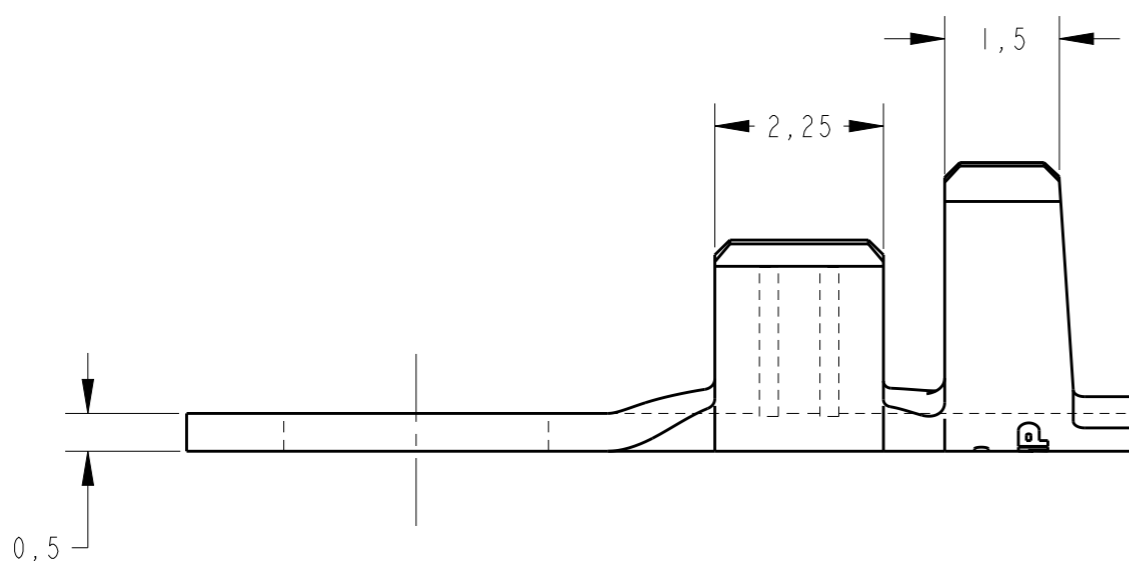
P	LTR	DESCRIPTION	DATE	DWN	APVD
	B2	REDRAW BY CAD ECO-14-008287	10JUN2014	NCL	DAO



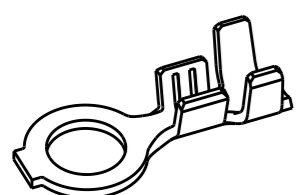
SECTION A-A
SCALE 10:1




SECTION B-B
SCALE 10:1



22-18 AWG	Ø 1,9-2,8mm	ESTANHADO	LATÃO/BRASS	626235-2
22-18 AWG	Ø 1,9-2,8mm	—	LATÃO/BRASS	626235-1
WIRE RANGE	INSUL. RANGE	FINISH	MATERIAL	PART NUMBER



PERSPECTIVE VIEW
SCALE 3:1

THIS DRAWING IS A CONTROLLED DOCUMENT.		DWN NCLAPRESA 10JUN2014	 TE Connectivity	
DIMENSIONS: mm		CHK FCHRISTIANO 10JUN2014		
TOLERANCES UNLESS OTHERWISE SPECIFIED:		APVD CRSILVA 10JUN2014	NAME - RING TONGUE -	
0 PLC ±0,3 1 PLC ±0,2 2 PLC ±0,2 3 PLC ±0,2 4 PLC ±0,2 ANGLES ±1°		PRODUCT SPEC -	RESTRICTED TO -	
MATERIAL SEE TABLE		APPLICATION SPEC -	SIZE A3	CAGE CODE -
FINISH -		WEIGHT -	DRAWING NO C-626235	
-		Customer Drawing		SCALE 5:1
-		SHEET 1 OF 1		REV B2