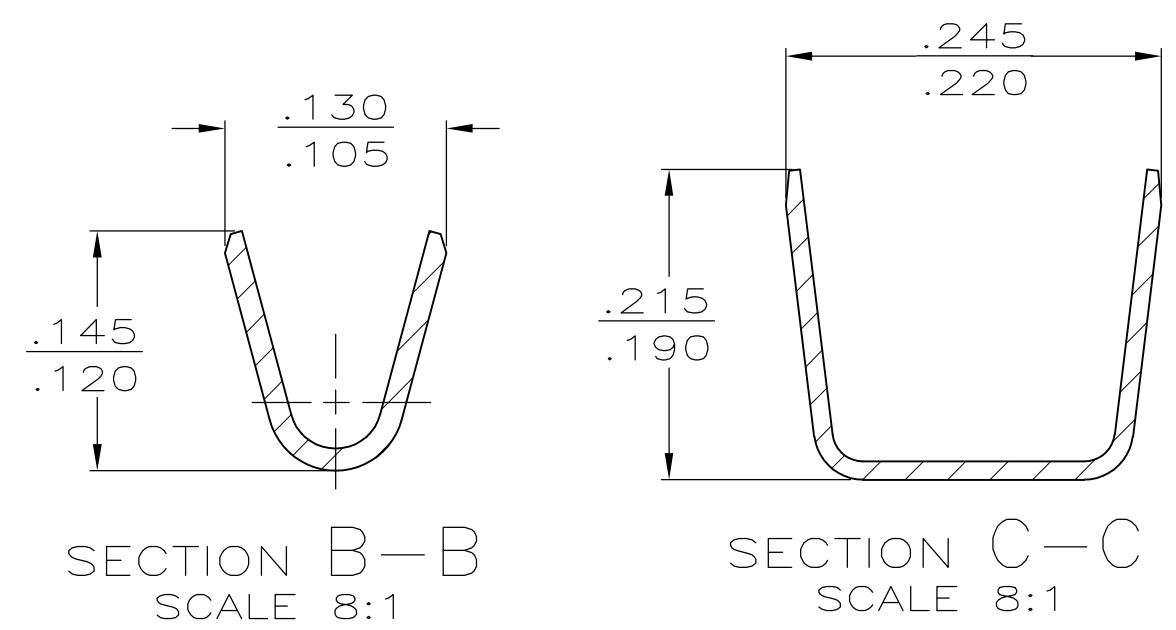
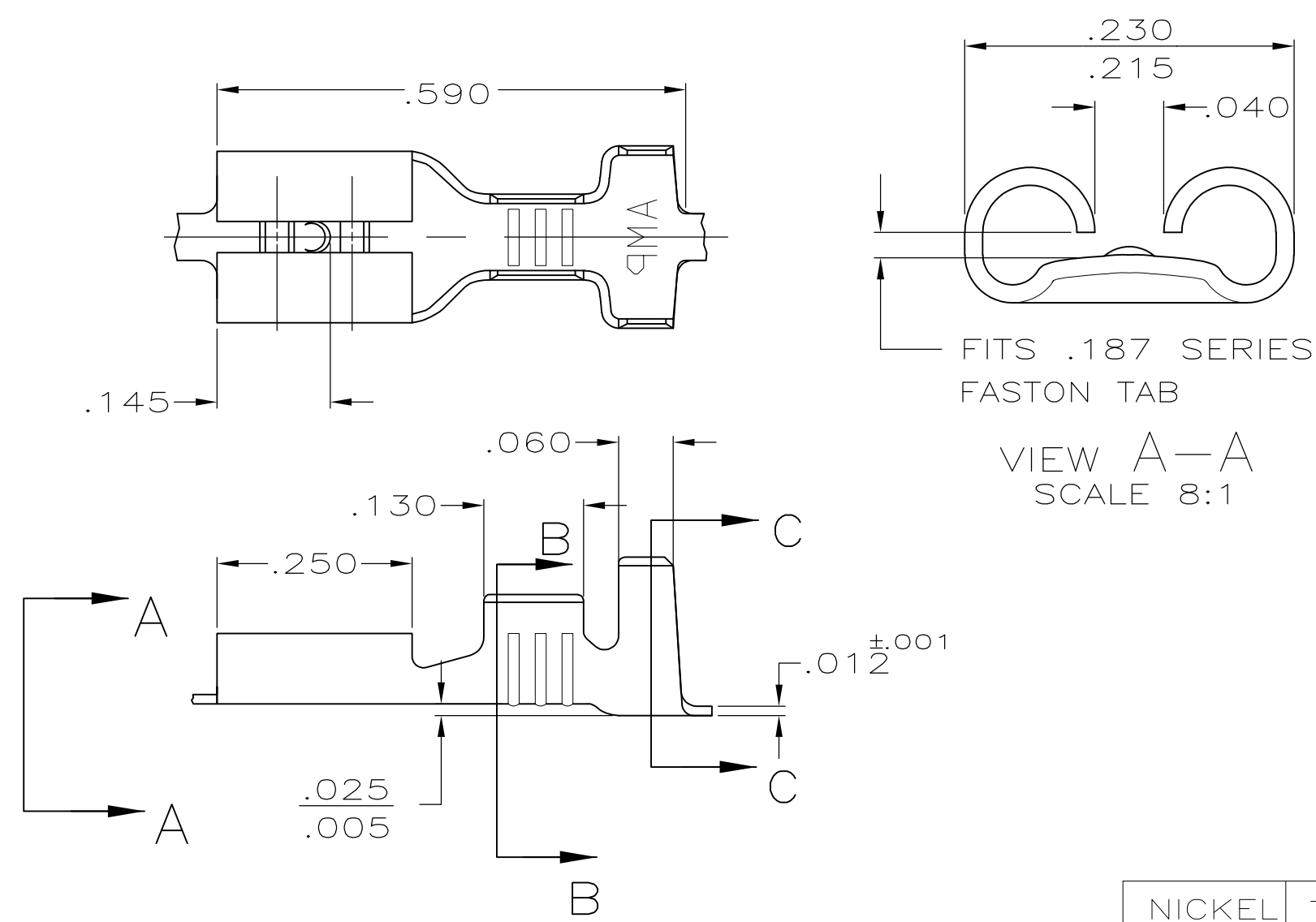


THIS DRAWING IS UNPUBLISHED. RELEASED FOR PUBLICATION  
 © COPYRIGHT - By - ALL RIGHTS RESERVED.

LOC	DIST	REVISIONS					
		P	LTR	DESCRIPTION	DATE	DWN	APVD
-	-		N	REVISED PER ECR-12-013445	27OCT12	KH	PD

- 1 CONTINUOUS STRIP ON REELS
- △ 2 PRELIMINARY - NOT FOR PRODUCTION



NICKEL	T2 STEEL		18-16		△ 2 60487-3
TIN	BRASS	.105-.210 OR (2) .105 MAX	OR (2) #18's	.020	60487-2
-					60487-1
FINISH	MATERIAL	INSULATION RANGE	WIRE SIZE	MATING TAB THK ±.001	PART NO

F	.210	.188	F	.100	.055	16
					.049	18
TYPE	WIDTH	STRIP LENGTH ±.015	TYPE	WIDTH	±.002 HEIGHT	WIRE
INSUL BARREL CRIMP			WIRE BARREL CRIMP			

THIS DRAWING IS A CONTROLLED DOCUMENT.

DWN	JR RUTH	7/14/89
CHK	MS FEHER	7/14/89
APVD	-	-
PRODUCT SPEC	-	-
APPLICATION SPEC	-	-
WEIGHT	-	-

**STE** TE Connectivity

RECEPTACLE, FASTON, .187 SERIES

SIZE	CAGE CODE	DRAWING NO	RESTRICTED TO
A3	00779	C-60487	-

CUSTOMER DRAWING SCALE 5:1 SHEET 1 OF 1 REV N