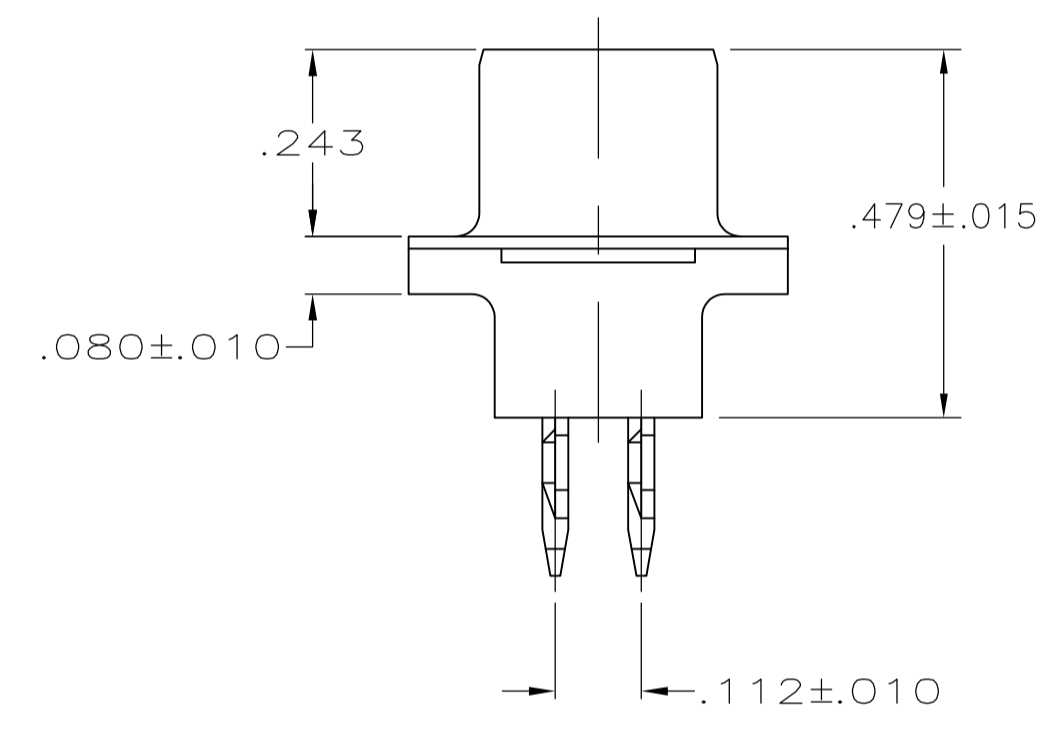
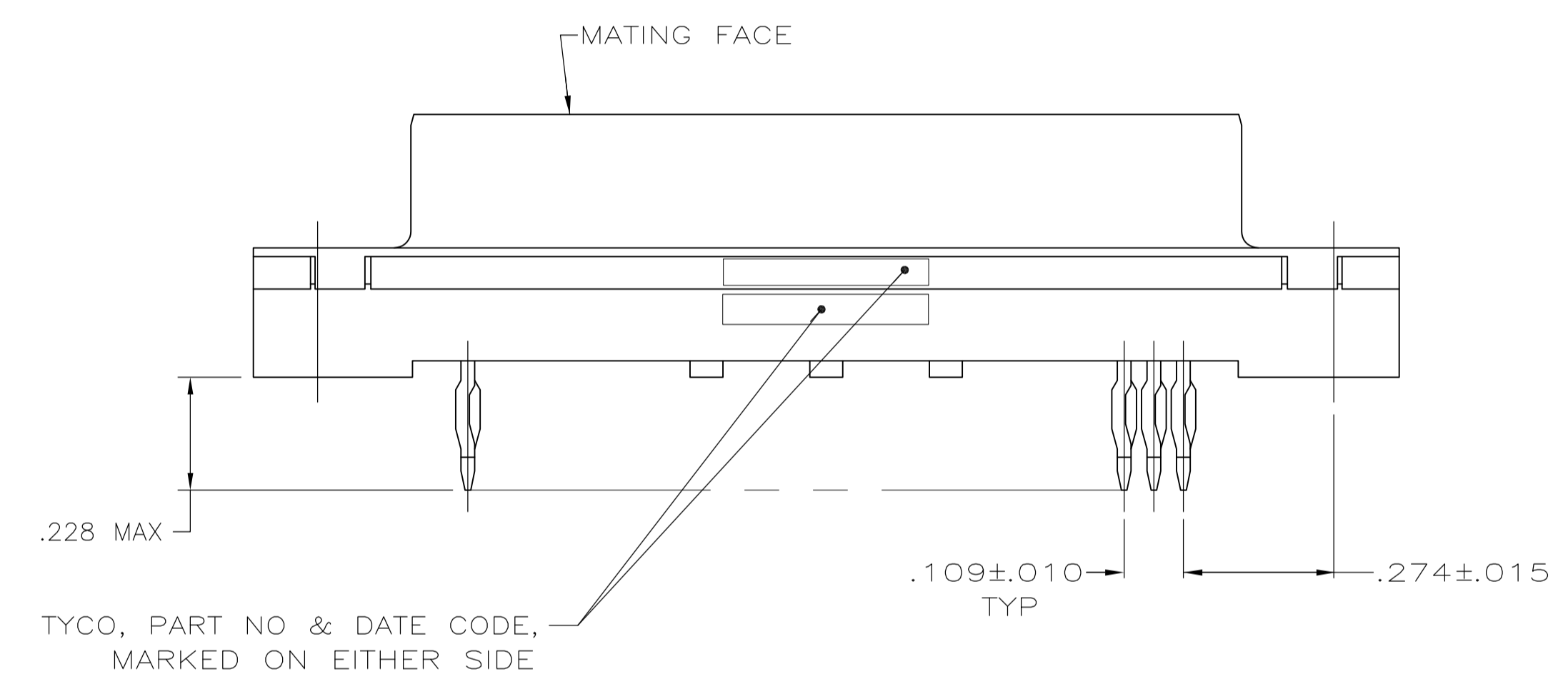
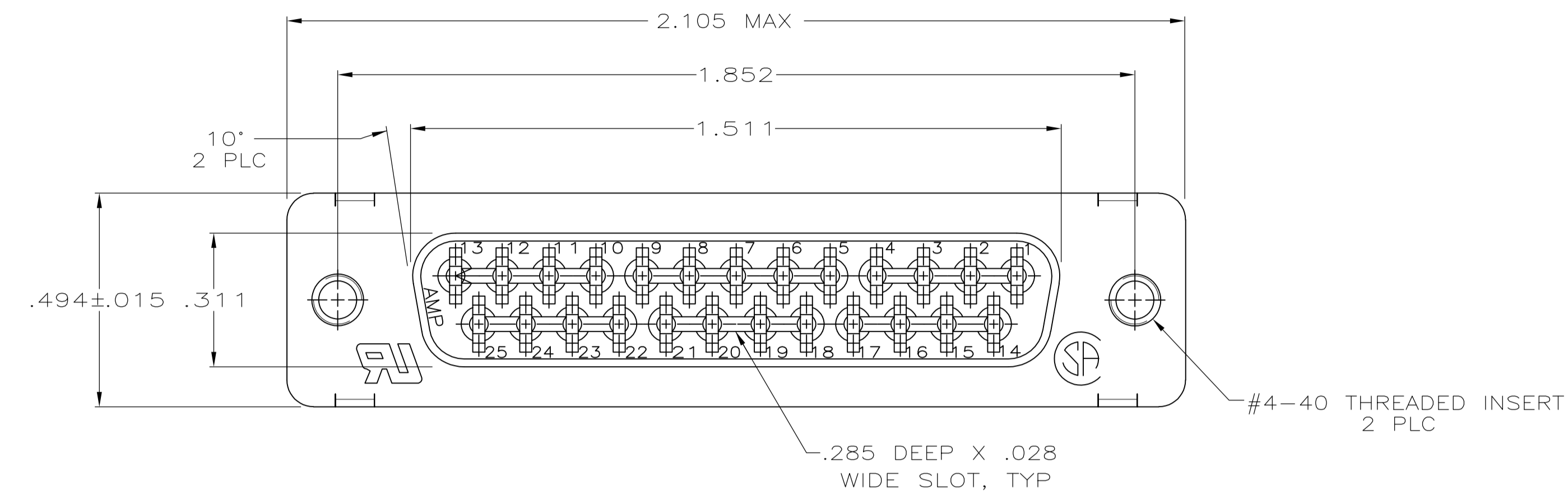


LOC		DIST		REVISIONS			
P	LTR	DESCRIPTION	DATE	DN	APVD		
C		REVISED PER ECO-12-000090	26JAN2012	CJV	SLB		



- 1 FOR USE WITH .093 MINIMUM THICK PRINTED CIRCUIT BOARD. REFER TO APPLICATION SPECIFICATION FOR PRINTED CIRCUIT BOARD LAYOUT DIMENSIONS AND FINISH RECOMMENDATIONS.
- 2 MATERIAL:
MOLDED PARTS: FLAME RETARDENT, 94V-0 RATED, GLASS FILLED, NYLON OR POLYESTER, COLOR: BLACK.
CONTACTS: COPPER ALLOY.
SHELL: CARBON STEEL.
INSERTS: BRASS.
- 3 FINISH:
INSERTS: UNPLATED
SHELL: TIN PLATED
CONTACTS: 0.76 MICROMETERS [.000030]MIN GOLD IN MATING AREA.
2.54 MICROMETERS [.000100]MIN TIN ON COMPLIANT PIN.
ALL OVER 1.27 MICROMETERS [.000050]MIN NICKEL.
OR
GOLD FLASH OVER PALLADIUM NICKEL.
0.76 MICROMETERS [.000030]MIN TOTAL IN MATING AREA.
2.54 MICROMETERS [.000100]MIN TIN ON COMPLIANT PIN.
ALL OVER 1.27 MICROMETERS [.000050]MIN NICKEL.

5745925-2
PART NUMBER

THIS DRAWING IS A CONTROLLED DOCUMENT. DIMENSIONING AND TOLERANCING PER ASME Y14.5M-2009		DIN B MCMASTER 13JULY05	STE TE Connectivity	
DIMENSIONS: INCHES		CHK S BOLASH 13JULY05	NAME M WALMSLEY 13JULY05	
TOLERANCES UNLESS OTHERWISE SPECIFIED:		APVD	PRODUCT SPEC	
0 PLC ± -	1 PLC ± -	108-40014	RECEPTACLE ASSEMBLY, SIZE 3, 25 POSITION, WITH ACTION PIN CONTACTS, #4-40 INSERTS, FRONT METAL SHELL, MEDIUM PROFILE, AMPLIMITE® HD-20	
2 PLC ± -	3 PLC ± .005	APPLICATION SPEC	SIZE CAGE CODE DRAWING NO	
4 PLC ± -	ANGLES ± °	114-40026 1	A1	00779 C=5745925
MATERIAL	FINISH	WEIGHT	CUSTOMER DRAWING	
			SCALE 4:1	SHEET 1 OF 1 REV C