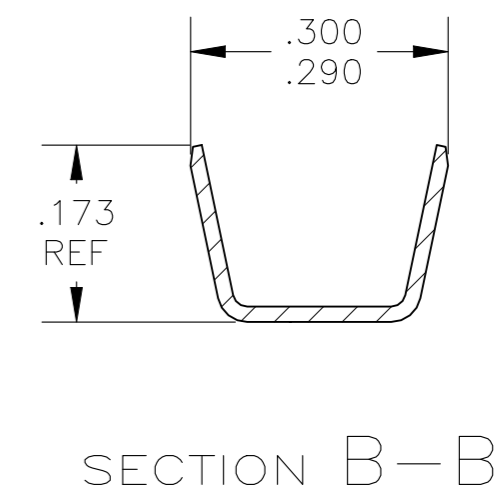
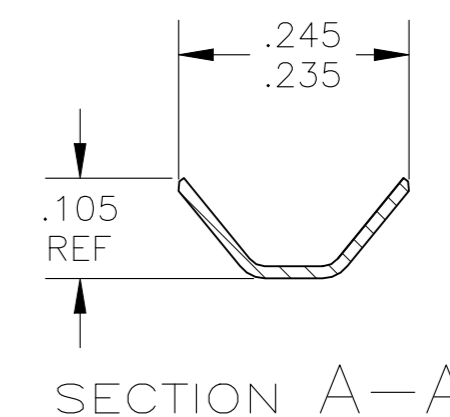
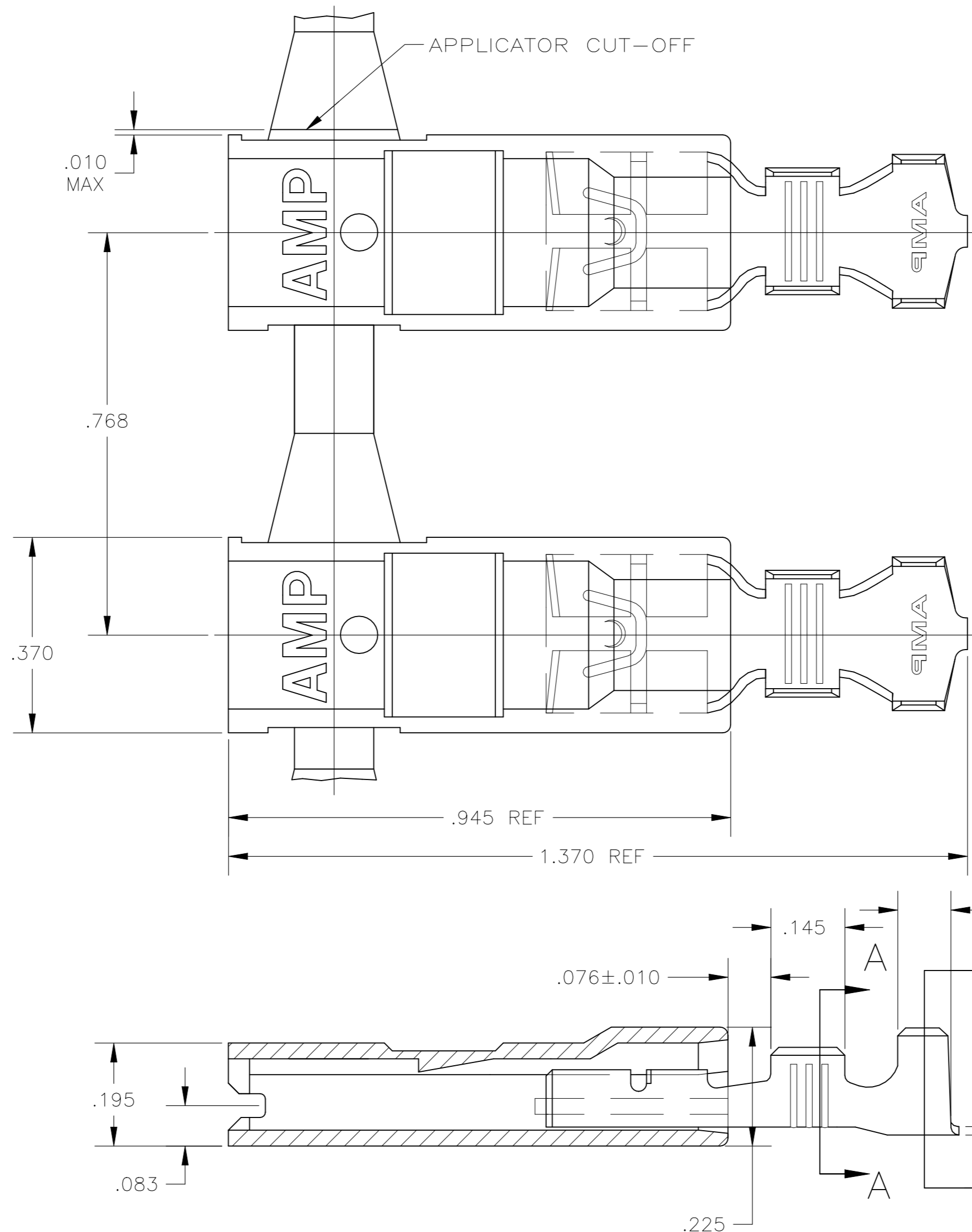


REVISIONS					
P	LTR	DESCRIPTION	DATE	DWN	APVD
D4		REVISED PER ECR-22-160893	15DEC2022	DB	BW



- 1 LOW-INSERTION FASTON TERMINALS ARE USED IN THIS PRODUCT.
- 2 WIRE SIZE IS 18-14 OR TWO 18'S AWG OR TWO 20'S AWG
- 3 INSULATION RANGE IS .110-.180 DIA OR TWO .105 MAX DIA
- 4 MATING TAB THK IS .032±.001

SUPERSEDED BY 521632-2	STANDARD	6/6 VO NYLON, NATURAL	BRASS - TIN	521632-2
	STANDARD	6/6 VO NYLON, NATURAL	BRASS - PLAIN	521632-1
	PACKAGING	HOUSING MATERIAL & FINISH	TERMINAL MATERIAL & FINISH	PART NO.

THIS DRAWING IS A CONTROLLED DOCUMENT.		DWN	JR RUTH	12MAY03		TE Connectivity							
DIMENSIONS: INCHES		CHK	MS FEHER	12MAY03		NAME							
TOLERANCES UNLESS OTHERWISE SPECIFIED:		APVD	J HUMMEL	12MAY03		PRODUCT SPEC							
0 PLC ± - 1 PLC ± - 2 PLC ± - 3 PLC ± .010 4 PLC ± - ANGLES ± -		PRODUCT SPEC		108-1285		APPLICATION SPEC							
MATERIAL	SEE TABLE	FINISH	SEE TABLE	WEIGHT	0.000000	SIZE	A2	CAGE CODE	00779	DRAWING NO	C=521632	RESTRICTED TO	-
CUSTOMER DRAWING						SCALE	5:1	SHEET	1 OF 1	REV	D4		