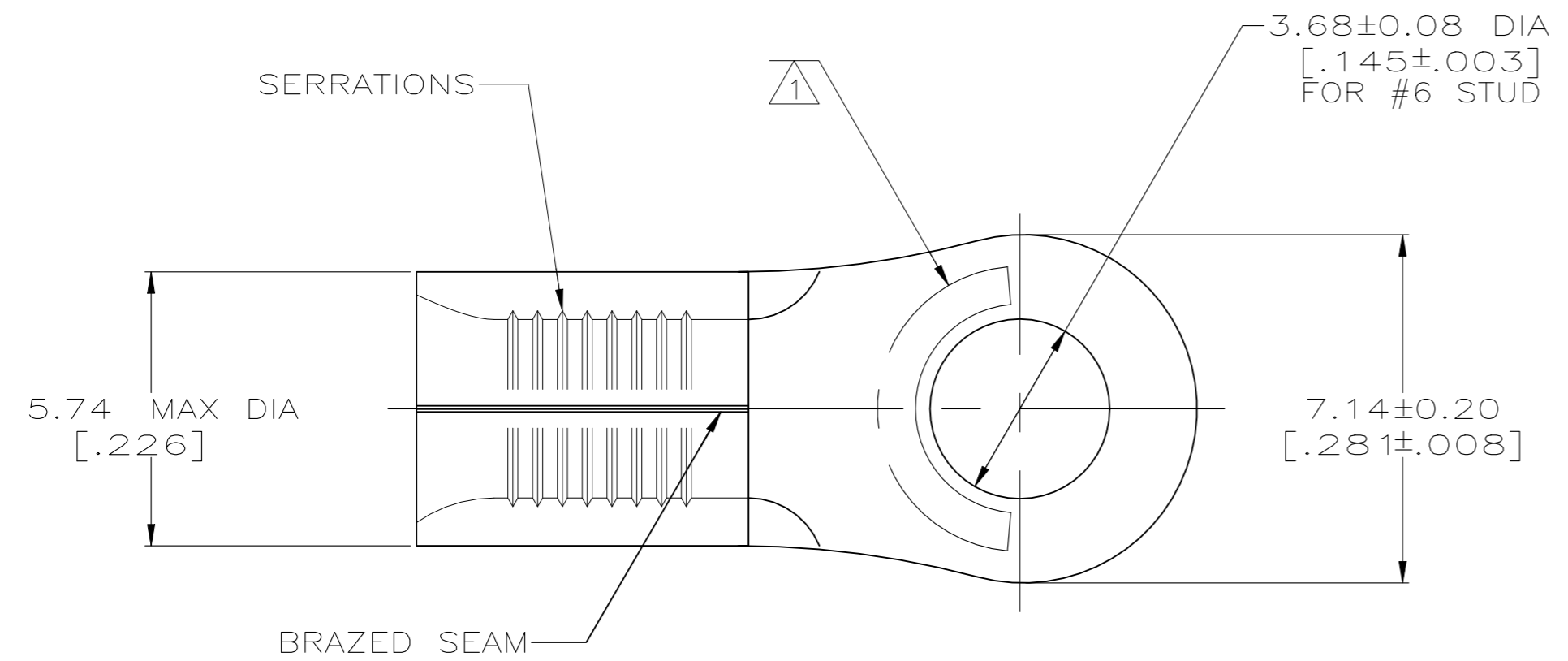


REVISIONS				DAP		
P	LTR	DESCRIPTION	DATE	DWN	APVD	
	C2	REVISED PER ECN-22-150900	28APR2022	RK	CSD	

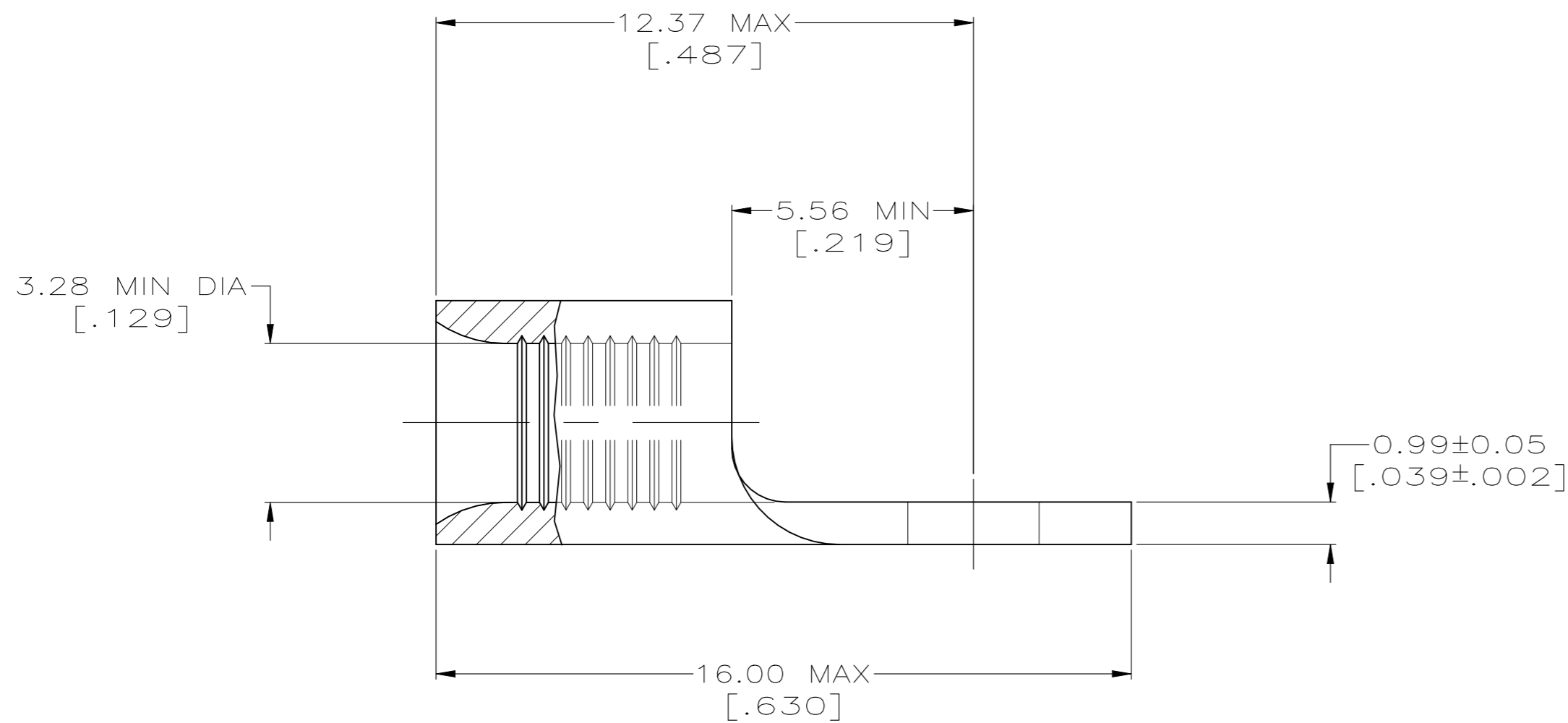
METRIC
DIMENSIONS LISTED IN mm [INCHES]



AMP WIRE RANGE	E13288 Listed
12-10 AWG SOLID OR STRANDED	12-10 AWG STRANDED

LR7189 Certified
12-10 AWG SOLID OR STRANDED

△ STAMP AMP 12-10* APPROX AS SHOWN



50	LOOSE PIECE, BOX	8-35476-2
2000	ON TAPE	2-35476-1
---	LOOSE PIECE	35476
QUANTITY	PACKAGING TYPE	PART NO

AMP INCORPORATED CUSTOMER SERVICE SYSTEMS		MAX RECOMMENDED OPERATING TEMPERATURE: 170° C MAX
FOR ADDITIONAL PRODUCT INFORMATION OR COPIES OF DRAWINGS AND TECHNICAL DOCUMENTS	PRODUCT INFORMATION CENTER 1-800-522-6752	VOLTAGE RATING: NOT APPLICABLE
FOR APPLICATION TOOLING INFORMATION	TOOLING ASSISTANCE CENTER 1-800-722-1111	WIRE CROSS SECTIONAL AREA RANGE: 2.62-6.64mm ² [5,180-13,100] CIR MILS SOLID OR STRANDED
FOR ORDER ENTRY	1-800-526-5142	THIS DRAWING IS A CONTROLLED DOCUMENT FOR AMP INCORPORATED. IT IS SUBJECT TO CHANGE AND THE CONTROLLING ENGINEERING ORGANIZATION SHOULD BE CONTACTED FOR THE LATEST REVISION.

THIS DRAWING IS A CONTROLLED DOCUMENT.		DWN TA BRINKMAN 3-17-93	TE Connectivity	
DIMENSIONS: INCHES		CHK DA PATTERSON 3-17-93		
TOLERANCES UNLESS OTHERWISE SPECIFIED:		APVD DE MILLER 3-17-93	NAME TERMINAL, RING TONGUE, SOLISTRAND™	
0 PLC ± - 1 PLC ± - 2 PLC ± - 3 PLC ± - 4 PLC ± - ANGLES ± -		PRODUCT SPEC	RESTRICTED TO	
MATERIAL COPPER PER ASTM B-152 ANNEALED		FINISH 0.0025 [PLATED] MIN THK PER MIL-T-10727	WEIGHT -	SIZE A2
		CAGE CODE 00779	DRAWING NO C-35476	SCALE 8:1
		CUSTOMER DRAWING		SHEET 1 OF 1
				REV C2