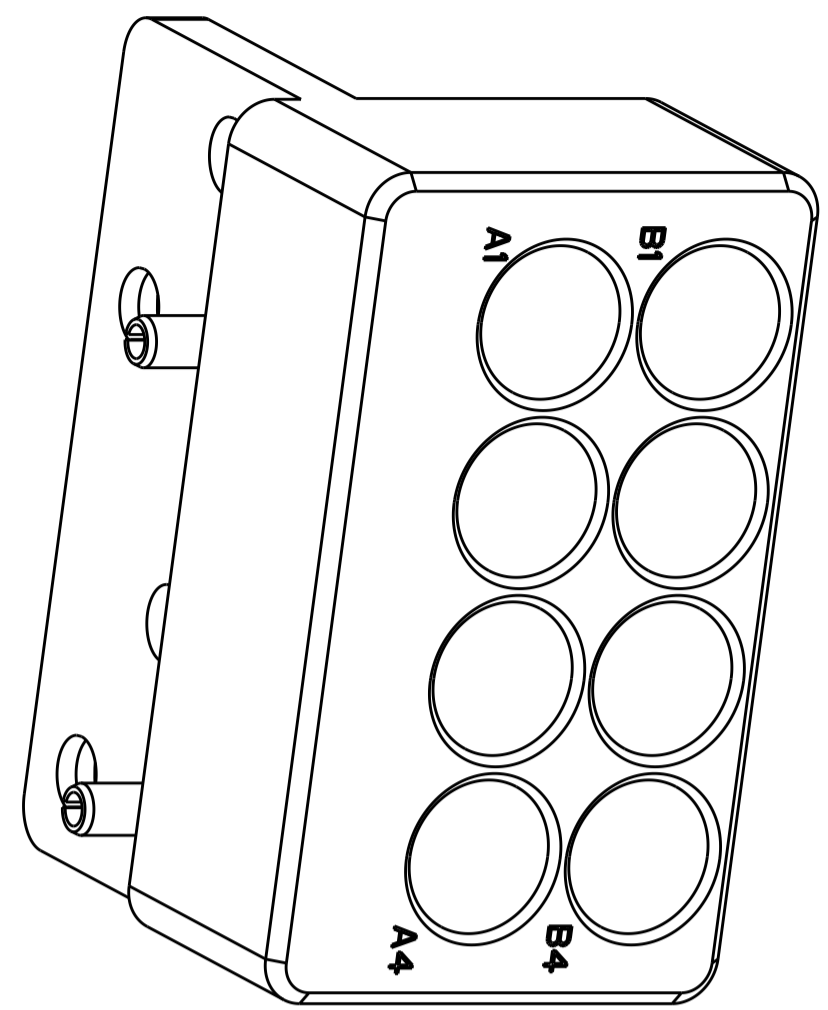
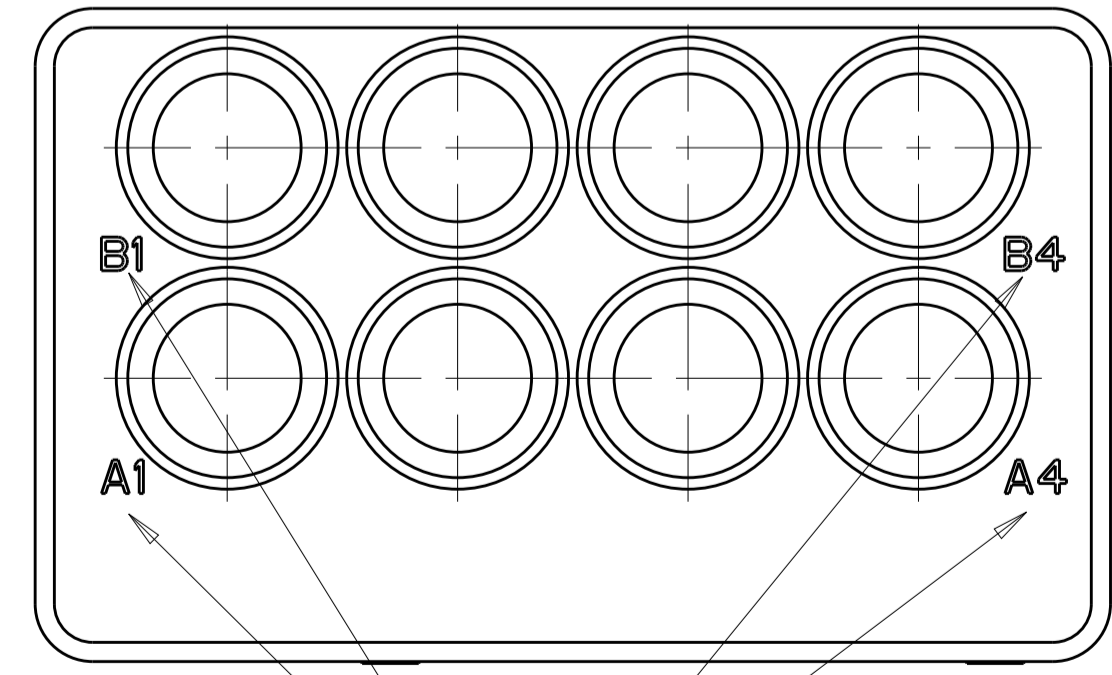
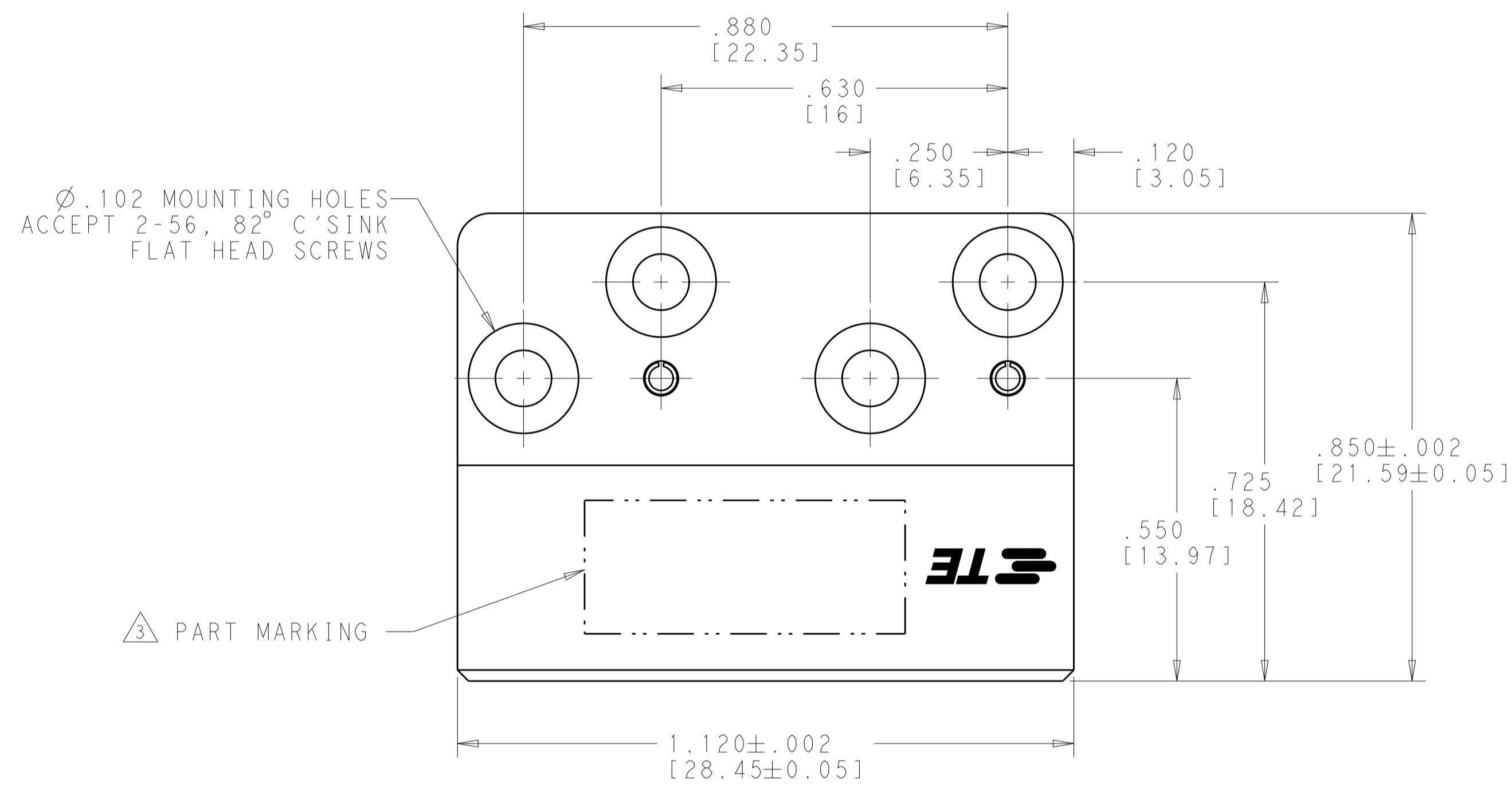
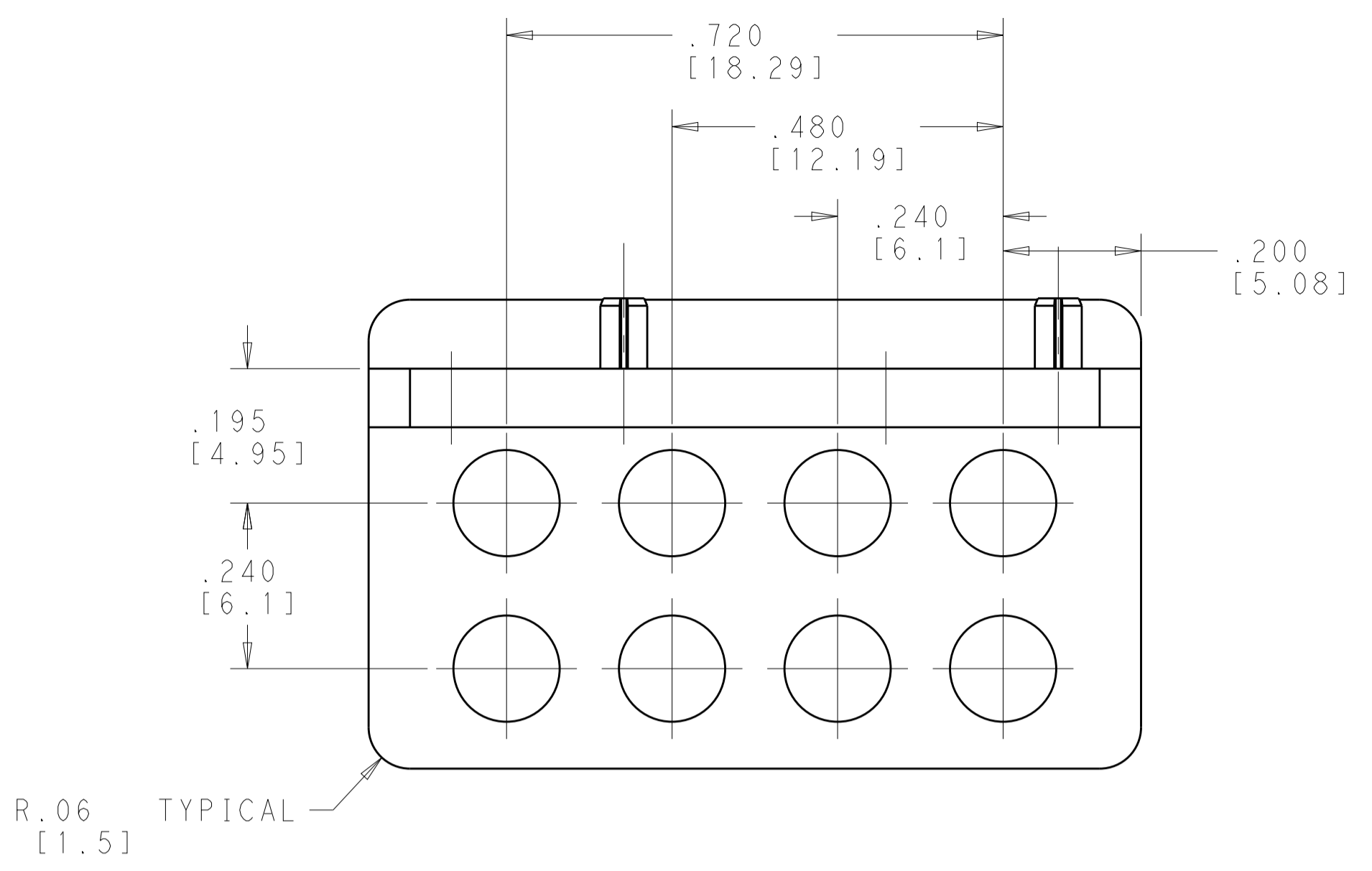
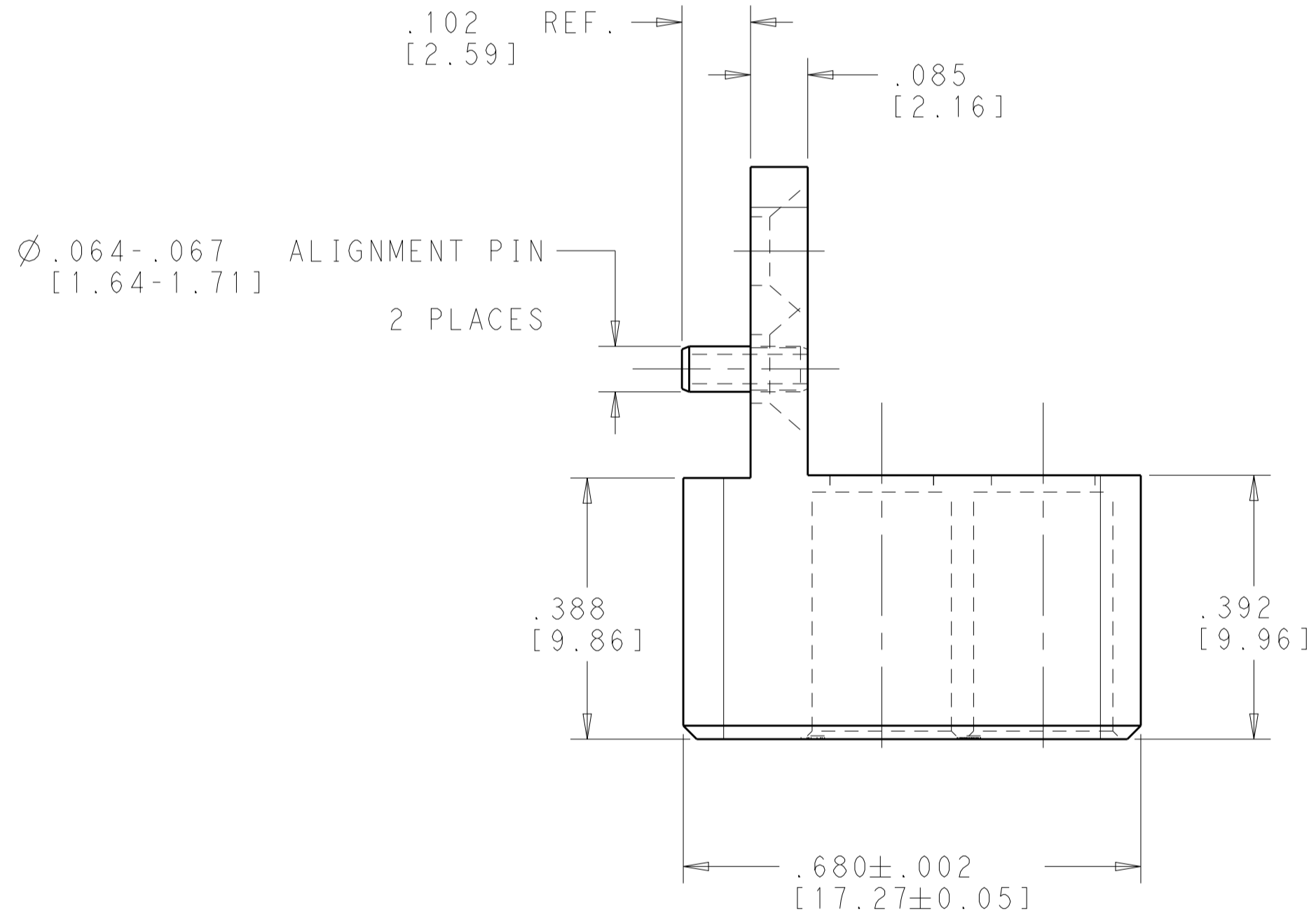


LOC		DIST		REVISIONS			
				DESCRIPTION	DATE	DWN	APVD
		M		REV PER ECO 16-012318	12-12-16	CT	DW



SCALE 4:1



4 CAVITY IDENTIFICATION MARKING

- 1 MATERIAL:
MODULE BODY - STAINLESS STEEL, PER UNS S30300
SPRING PINS - WORK HARDENED NICKEL STAINLESS STEEL
- 2 FINISH:
MODULE BODY & SPRING PINS - PASSIVATED
- 3 PART MARKING:
TE CONNECTIVITY PART NUMBER, CAGE CODE AND DATE CODE
- 4 CAVITY IDENTIFICATION MARKING

1996705-4	3 4	1996705-4
-----	-----	1996705-3
P/N MARKING	MARKING REQUIREMENT	PART NUMBER

THIS DRAWING IS A CONTROLLED DOCUMENT.

DIMENSIONS: [INCHES/mm]	TOLERANCES UNLESS OTHERWISE SPECIFIED:	DWN: S.T. Morley 01MAY2007	CHK: S.T. Morley 01MAY2007	APVD: S.T. Morley 01MAY2007	NAME: 8 POSITION R.F. MODULE, P.C.B. MOUNT VITA 67 DAUGHTER CARD
0 PLC ±.1	1 PLC ±.1	PRODUCT SPEC	APPLICATION SPEC	SIZE: A1	CAGE CODE: 1996705
2 PLC ±.01	3 PLC ±.001	WEIGHT: 1.045 oz	CUSTOMER DRAWING	SCALE: 5:1	SHEET 1 OF 1
4 PLC ±.0005	ANGLES ±1.0°	FINISH	RESTRICTED TO	REV: M	

TE Connectivity