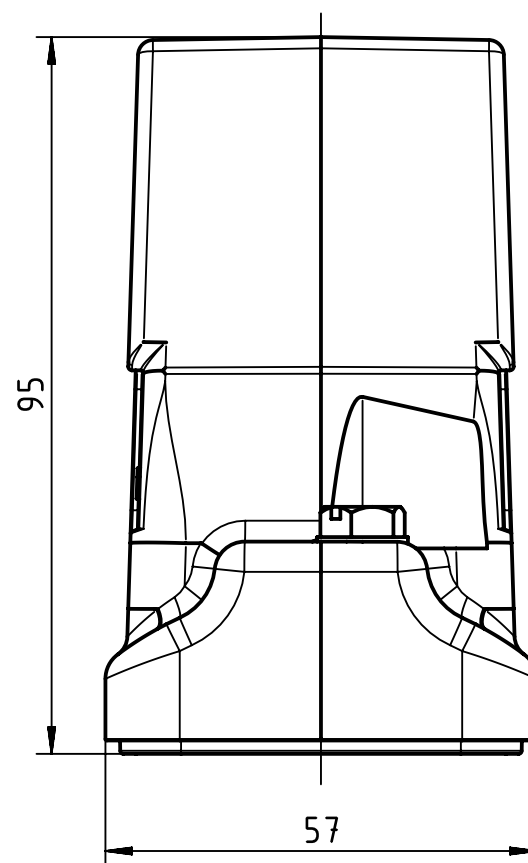
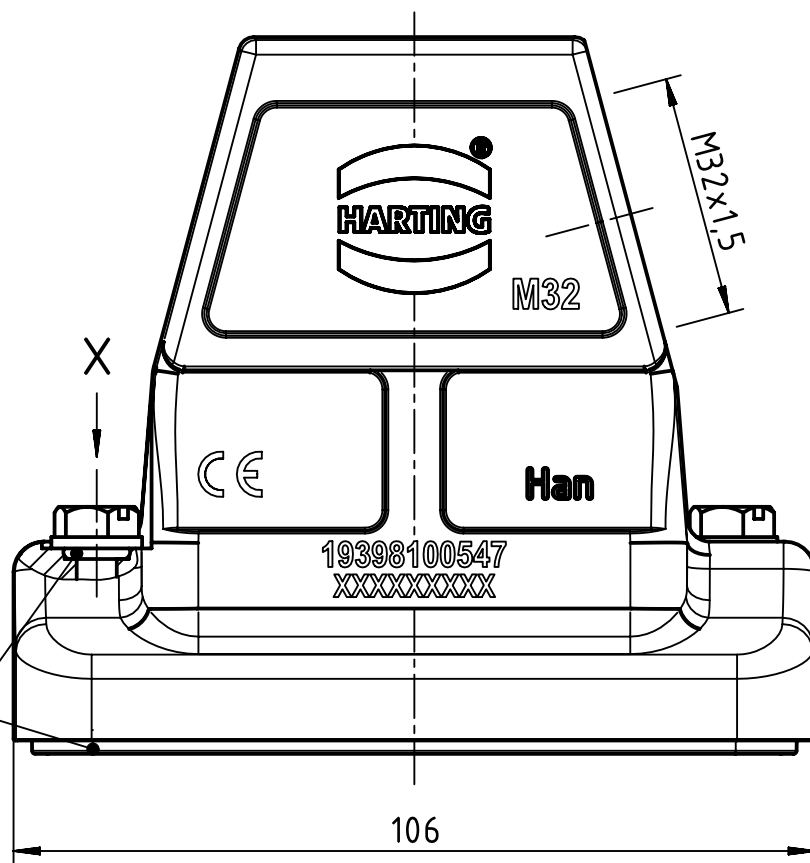
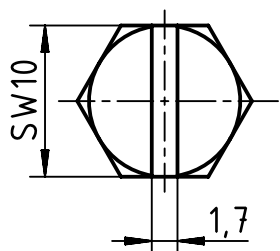
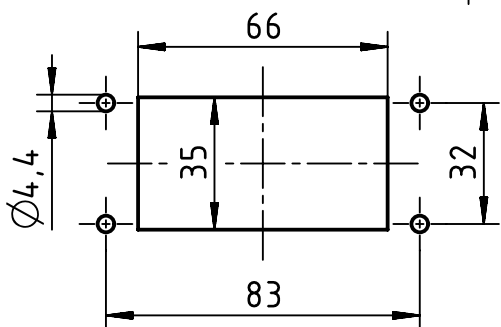


X (2:1)



Panel cut out (1:2)



	All Dimensions in mm Original Size DIN A4		Scale 1:1	Free size tol.		Ref.	
	All rights reserved		Created by ZHUANGJ	Inspected by LUOK	Standardisation 302077	Date 2021-02-23	State Final Release
Department EL PD		Title Han 10HP Direct/EMV-HSE-M32				Doc-Key / ECM-Nr. 100665293/UGD/004/F 500000187461	
HARTING (Zhuhai) Manufacturing Co., Ltd. 519085 Zhuhai, China		Type TB	Number 19 39 810 0547			Rev. F	Page 1/1