

1 2 3 4 5 6

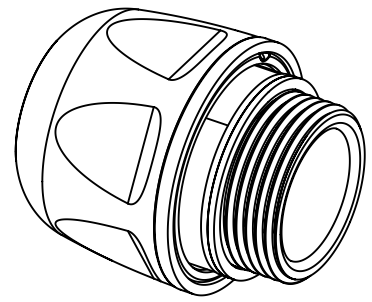
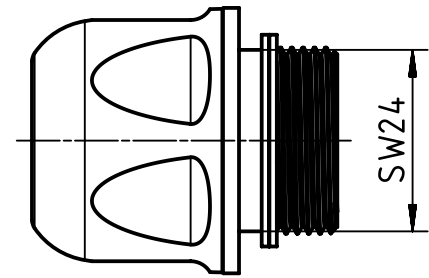
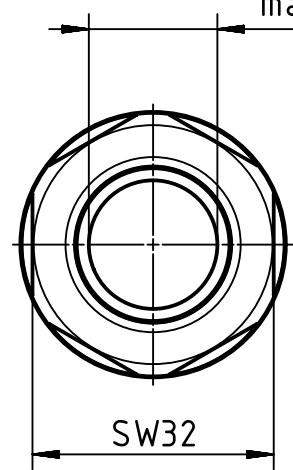
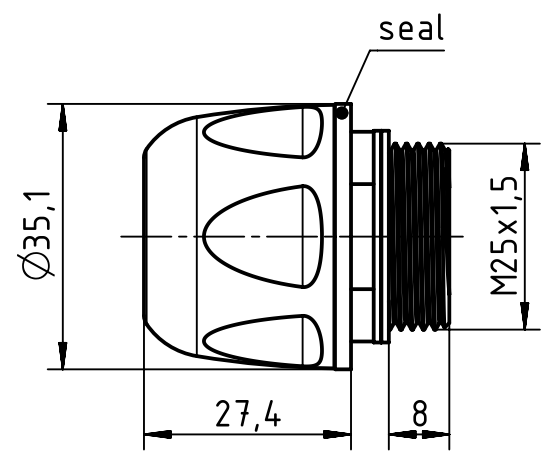
A

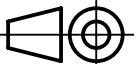

B

C

D

cable
min. $\varnothing 16$
max. $\varnothing 18$



 All Dimensions in mm Original Size DIN A4	Scale	Free size tol.		Ref.	
	1:1			Sub.	
 All rights reserved Department EL PD	Created by	Inspected by	Standardisation	Date	State
	HELLMANN	RIEPE	GARSKE	2020-01-17	Final Release
HARTING Electric GmbH & Co. KG D-32339 Espelkamp	Title			Doc-Key / ECM-Nr.	
	Han CGM-P F+B M25x1,5 D. 16-18 black			100730246/UGD/001/C 500000164789	
Type		Number		Rev.	Page
TB		19 15 503 5199		C	1/1