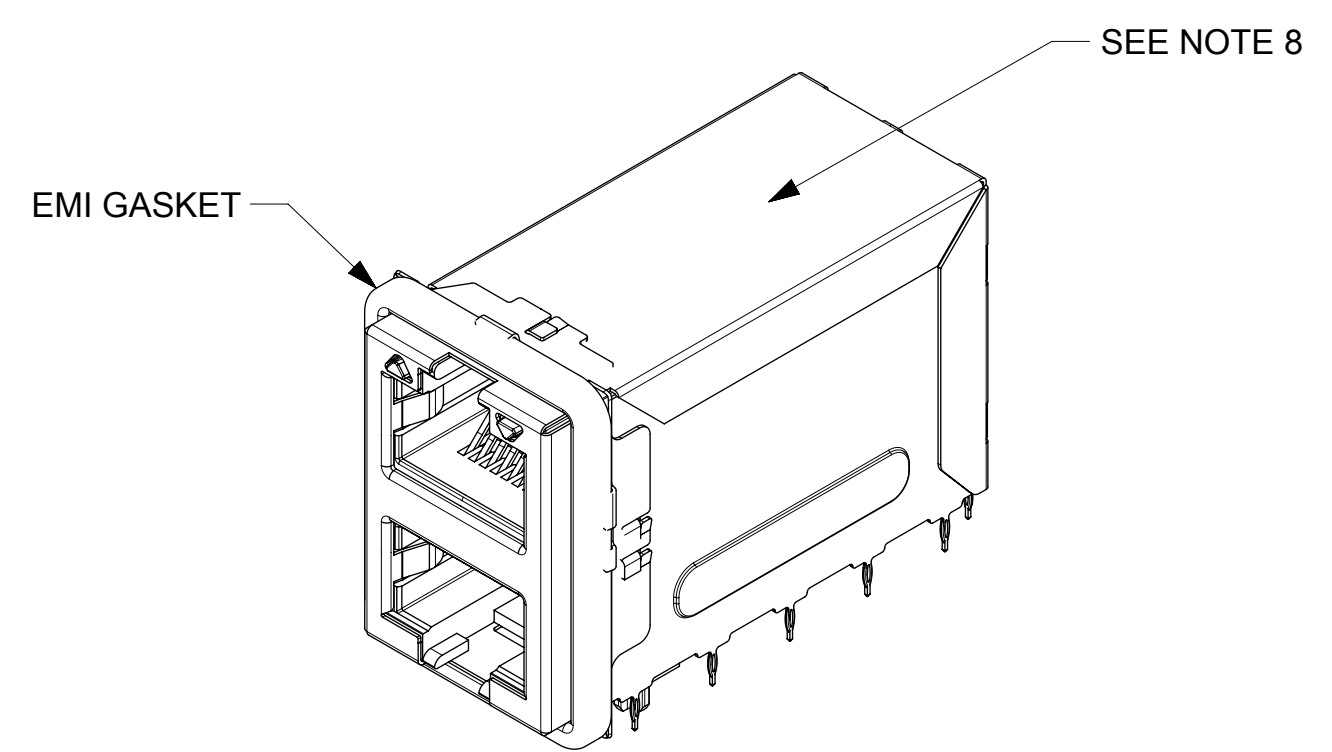
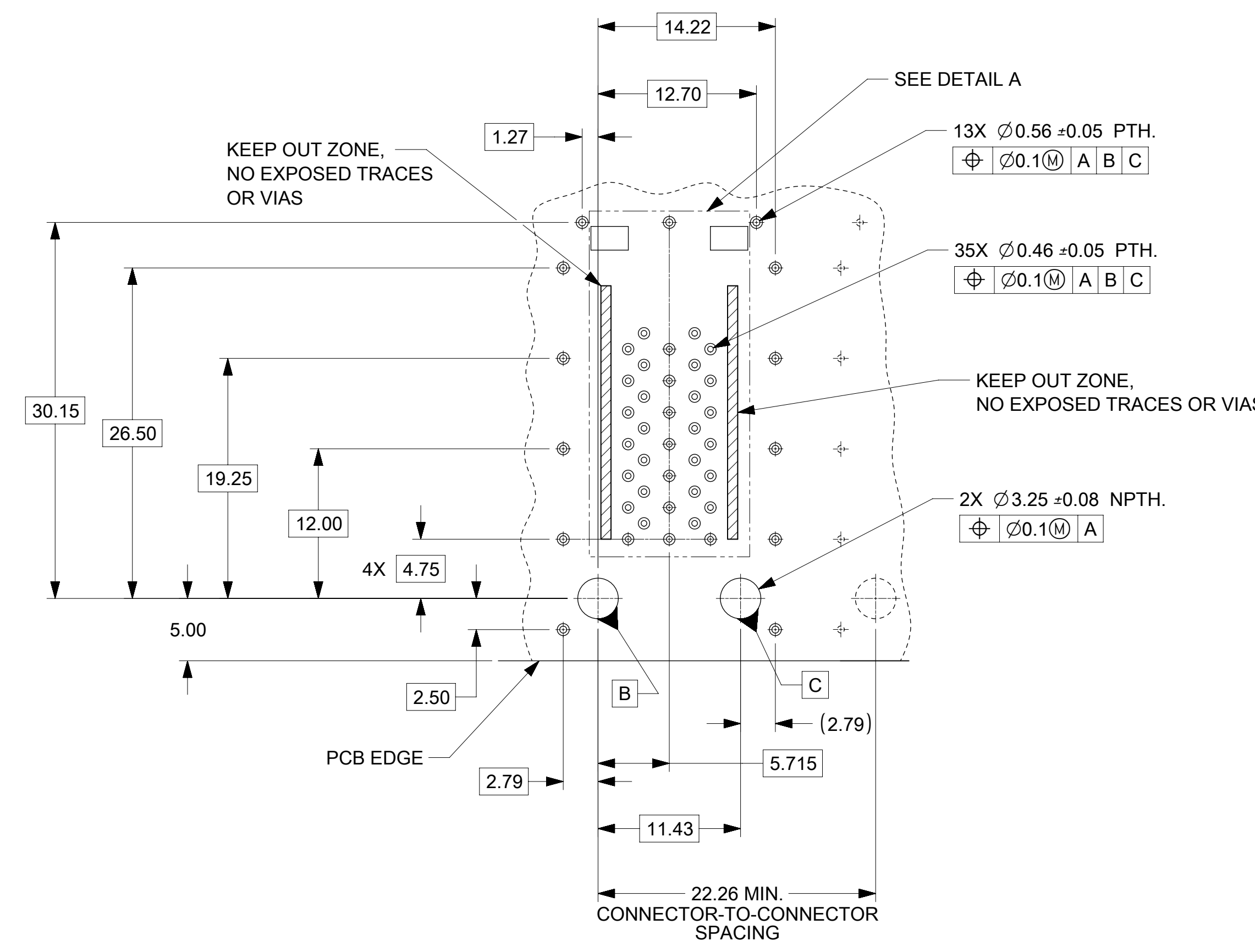


- NOTES:
- MATERIAL:
HOUSING: LCP, GLASS FILLED, UL94V-0, COLOR: BLACK
CONTACT BEAMS: COPPER ALLOY
SHIELD: NICKEL SILVER ALLOY
GASKET FLANGE: STAINLESS STEEL
EMI GASKET: CONDUCTIVE MATERIAL OVER ELASTOMERIC SILICONE CORE
PCB PINS: COPPER ALLOY
 - PLATING:
CONTACT BEAMS: 50 MICROINCHES MIN. GOLD AND OVER
150 MICROINCHES MIN NICKEL UNDERPLATE
 - PRODUCT SPECIFICATION: PS-170711-0001
 - PACKAGING SPECIFICATION: PK-170849-0001
 - MATE WITH: FCC COMPLIANT RJ45 CONNECTOR (PART 68.5)
 - APPLICATION SPECIFICATION: AS-170711-0002
 - COSMETIC SPECIFICATION: ES-46030-006
FRONT SURFACE: CLASS A
TOP SURFACE: CLASS B
ALL OTHER SURFACES: CLASS C
 - MOLEX PART NUMBER, SERIAL NUMBER AND TRACEABILITY MARK ARE LOCATED IN AREA SHOWN.

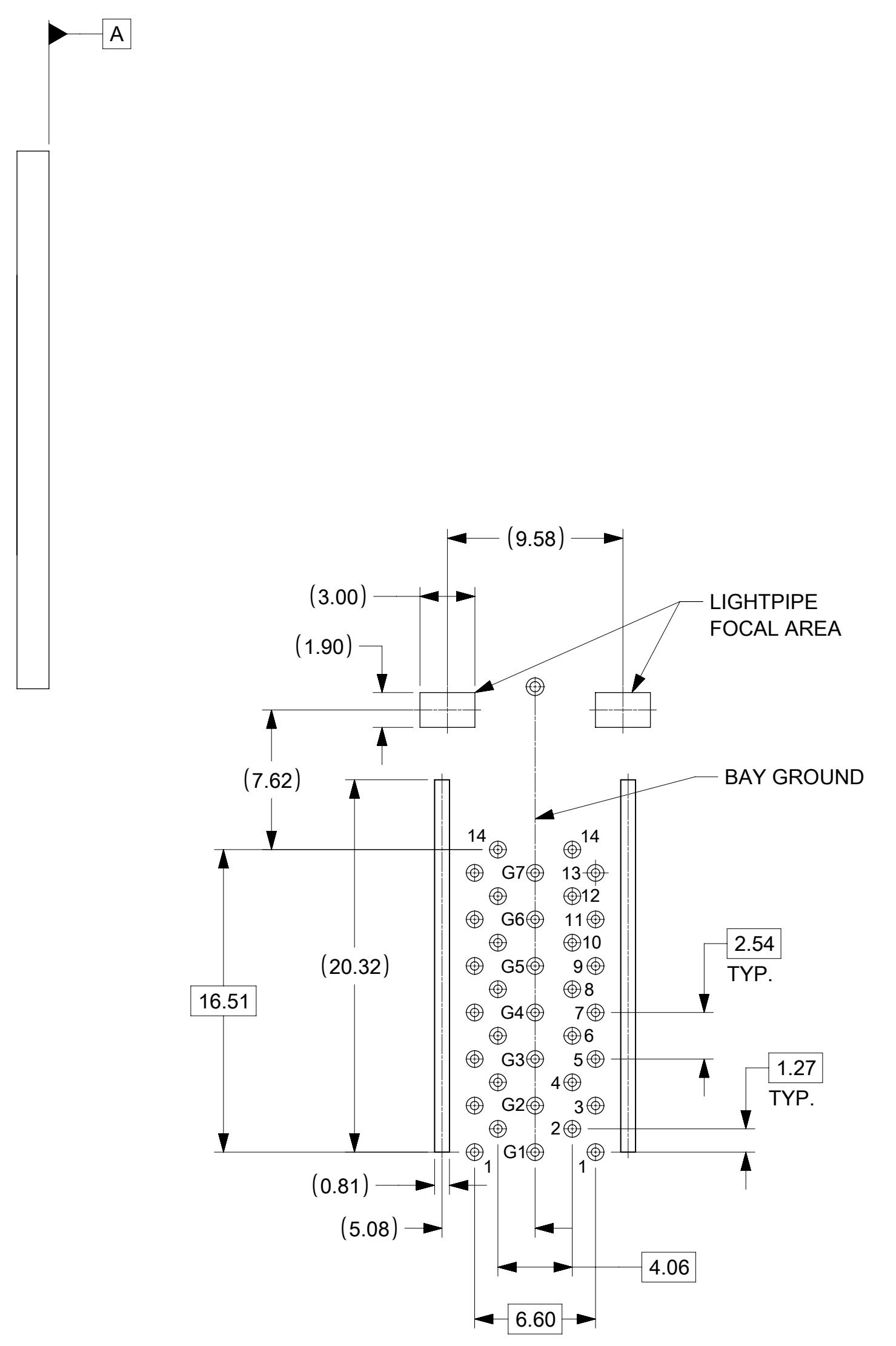


THIS DRAWING CONTAINS INFORMATION THAT IS PROPRIETARY TO MOLEX ELECTRONIC TECHNOLOGIES, LLC AND SHOULD NOT BE USED WITHOUT WRITTEN PERMISSION									
SYMBOLS	DIMENSION UNITS	SCALE	CURRENT REV DESC:			molex			
▽ = 0	mm					10 GIG 2X1 PRESS-FIT ASSEMBLY			
▽ = 0	GENERAL TOLERANCES (UNLESS SPECIFIED)		EC NO: 175337			PRODUCT CUSTOMER DRAWING			
▽ = 0	ANGULAR TOL ± °		DRWN: RALVAREZ02 2018/04/19			DOCUMENT NUMBER			
▽ = 0	4 PLACES ±		CHK'D: DMCGOWAN 2018/07/13			SD-170718-0030			
▽ = 0	3 PLACES ±		APPR: DMCGOWAN 2018/07/13			DOC TYPE DOC PART REVISION			
▽ = 0	2 PLACES ± 0.13		INITIAL REVISION:			PSD 000 A4			
▽ = 0	1 PLACE ± 0.25		DRWN: RCARLSON 2015/05/21			MATERIAL NUMBER			
▽ = 0	0 PLACES ±		APPR: KLANG 2016/09/16			CUSTOMER			
▽ = 0	DRAFT WHERE APPLICABLE MUST REMAIN WITHIN DIMENSIONS		THIRD ANGLE PROJECTION		DRAWING		SERIES		SHEET NUMBER
▽ = 0			C-SIZE		170718		GENERAL MARKET		1 OF 5

DOCUMENT STATUS	P1	RELEASE DATE	2018/07/13	16:48:52
-----------------	----	--------------	------------	----------

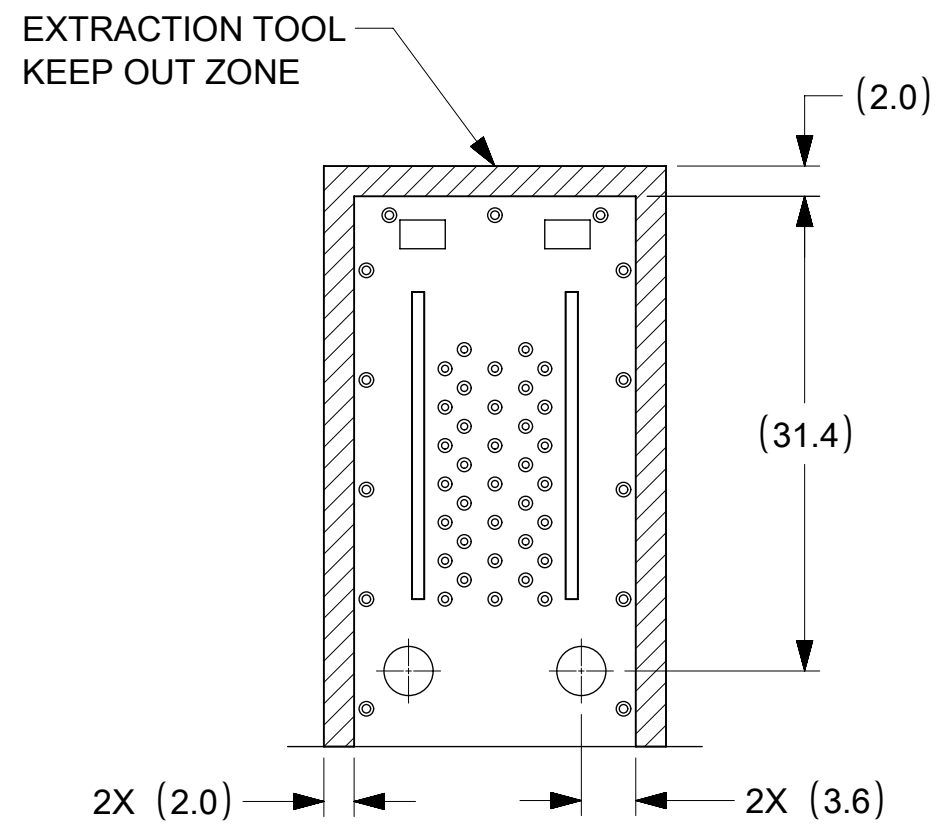


RECOMMENDED PCB LAYOUT
COMPONENT SIDE

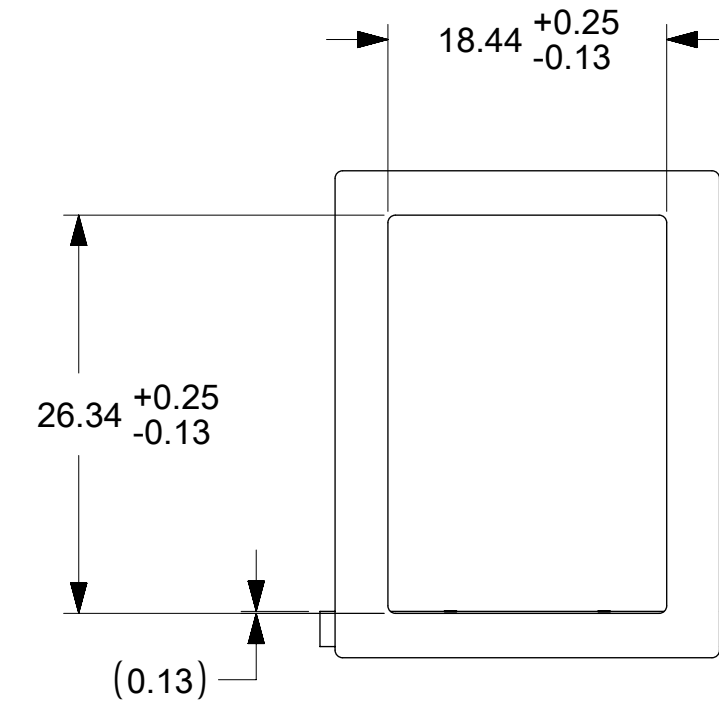


DETAIL A
SCALE 4:1

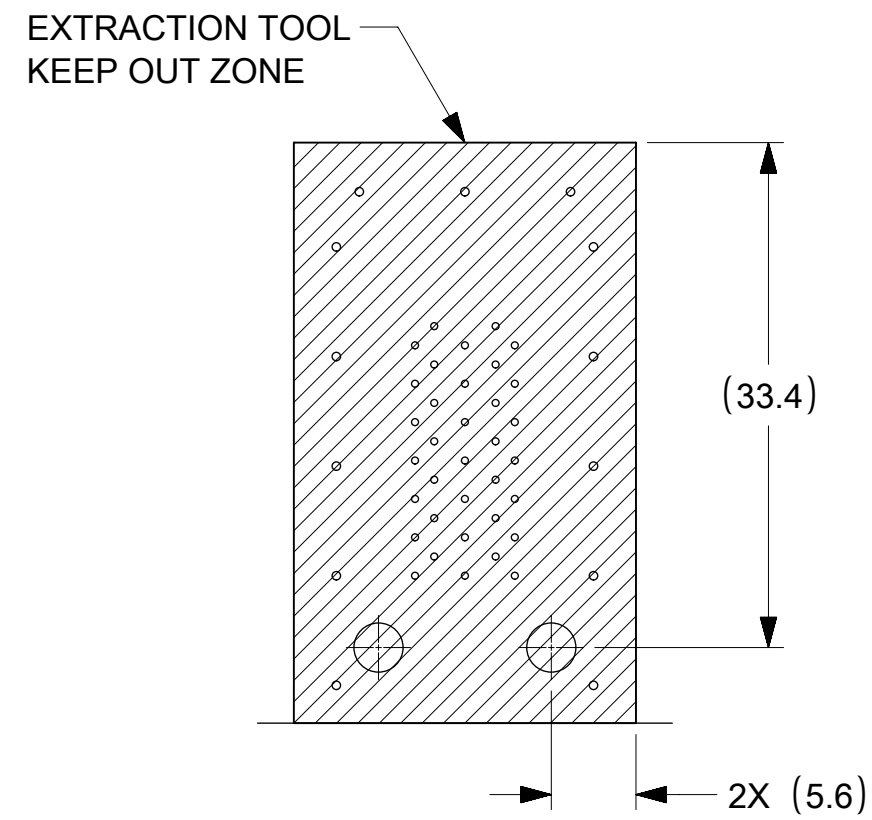
THIS DRAWING CONTAINS INFORMATION THAT IS PROPRIETARY TO MOLEX ELECTRONIC TECHNOLOGIES, LLC AND SHOULD NOT BE USED WITHOUT WRITTEN PERMISSION											
SYMBOLS		DIMENSION UNITS		SCALE		CURRENT REV DESC:					
▽ = 0 ▽ = 0 ▽ = 0 ▽ = 0 ▽ = 0 ▽ = 0 ▽ = 0 ▽ = 0 ▽ = 0		mm				EC NO: 175337 DRWN: RALVAREZ02 2018/04/19 CHK'D: DMCGOWAN 2018/07/13 APPR: DMCGOWAN 2018/07/13					
▽ = 0 ▽ = 0 ▽ = 0 ▽ = 0 ▽ = 0 ▽ = 0 ▽ = 0 ▽ = 0 ▽ = 0		GENERAL TOLERANCES (UNLESS SPECIFIED)				INITIAL REVISION: DRWN: RCARLSON 2015/05/21 APPR: KLANG 2016/09/16				10 GIG 2X1 PRESS-FIT ASSEMBLY	
▽ = 0 ▽ = 0 ▽ = 0 ▽ = 0 ▽ = 0 ▽ = 0 ▽ = 0 ▽ = 0 ▽ = 0		ANGULAR TOL ± °				PRODUCT CUSTOMER DRAWING				DOCUMENT NUMBER SD-170718-0030	
▽ = 0 ▽ = 0 ▽ = 0 ▽ = 0 ▽ = 0 ▽ = 0 ▽ = 0 ▽ = 0 ▽ = 0		4 PLACES ±				DRW: RALVAREZ02 2018/04/19 CHK'D: DMCGOWAN 2018/07/13 APPR: DMCGOWAN 2018/07/13				DOC TYPE PSD	
▽ = 0 ▽ = 0 ▽ = 0 ▽ = 0 ▽ = 0 ▽ = 0 ▽ = 0 ▽ = 0 ▽ = 0		3 PLACES ±				MATERIAL NUMBER GENERAL MARKET				DOC PART 000	
▽ = 0 ▽ = 0 ▽ = 0 ▽ = 0 ▽ = 0 ▽ = 0 ▽ = 0 ▽ = 0 ▽ = 0		2 PLACES ± 0.13				SERIES 170718				REVISION A4	
▽ = 0 ▽ = 0 ▽ = 0 ▽ = 0 ▽ = 0 ▽ = 0 ▽ = 0 ▽ = 0 ▽ = 0		1 PLACE ± 0.25				SHEET NUMBER 2 OF 5					
▽ = 0 ▽ = 0 ▽ = 0 ▽ = 0 ▽ = 0 ▽ = 0 ▽ = 0 ▽ = 0 ▽ = 0		0 PLACES ±									
▽ = 0 ▽ = 0 ▽ = 0 ▽ = 0 ▽ = 0 ▽ = 0 ▽ = 0 ▽ = 0 ▽ = 0		DRAFT WHERE APPLICABLE MUST REMAIN WITHIN DIMENSIONS									
▽ = 0 ▽ = 0 ▽ = 0 ▽ = 0 ▽ = 0 ▽ = 0 ▽ = 0 ▽ = 0 ▽ = 0		THIRD ANGLE PROJECTION									
▽ = 0 ▽ = 0 ▽ = 0 ▽ = 0 ▽ = 0 ▽ = 0 ▽ = 0 ▽ = 0 ▽ = 0		DRAWING									
▽ = 0 ▽ = 0 ▽ = 0 ▽ = 0 ▽ = 0 ▽ = 0 ▽ = 0 ▽ = 0 ▽ = 0		C-SIZE									



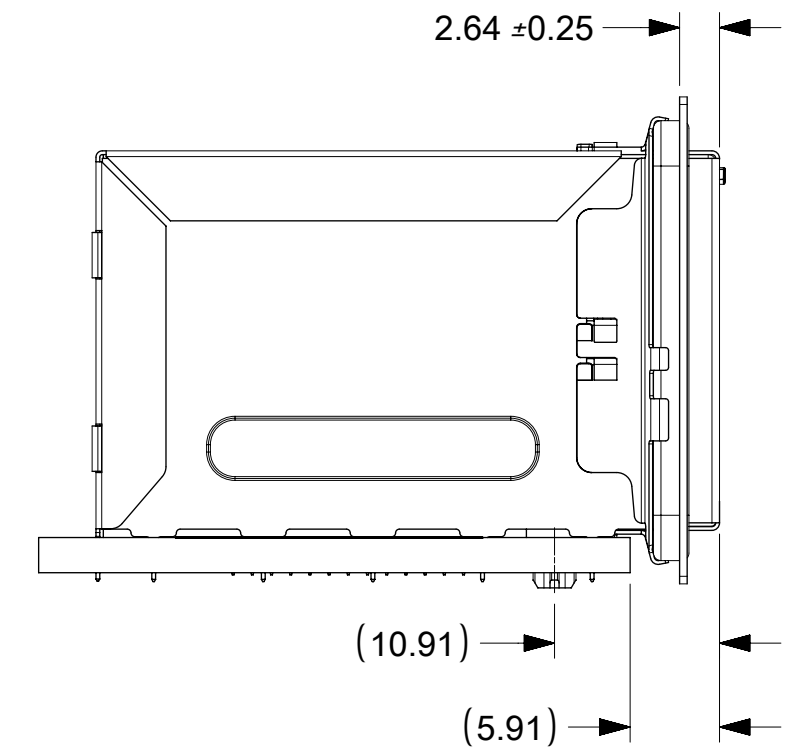
TOP VIEW OF PCB
RECOMMENDED KEEP-OUT ZONE
FOR EXTRACTION TOOLING




RECOMMENDED PANEL
OPENING

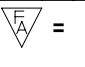
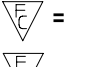
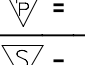

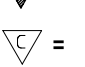
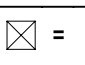

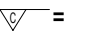



BOTTOM VIEW OF PCB
RECOMMENDED KEEP-OUT ZONE
FOR EXTRACTION TOOLING



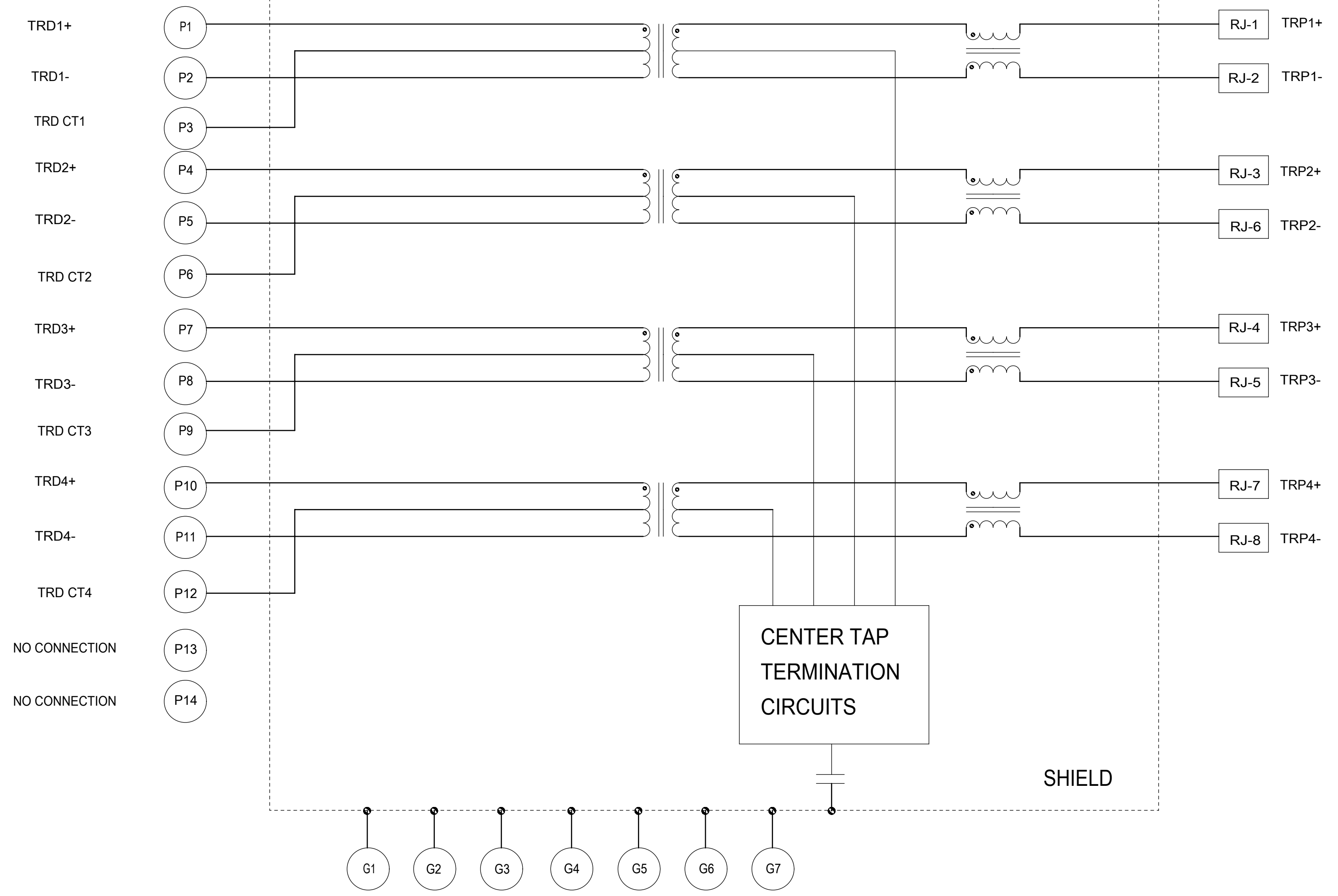
THIS DRAWING CONTAINS INFORMATION THAT IS PROPRIETARY TO MOLEX ELECTRONIC TECHNOLOGIES, LLC AND SHOULD NOT BE USED WITHOUT WRITTEN PERMISSION											
SYMBOLS		DIMENSION UNITS	SCALE	CURRENT REV DESC:			 10 GIG 2X1 PRESS-FIT ASSEMBLY				
▽ = 0	mm	GENERAL TOLERANCES (UNLESS SPECIFIED)			EC NO: 175337						
▽ = 0	ANGULAR TOL ± °			DRWN: RALVAREZ02 2018/04/19							
▽ = 0	4 PLACES ±			CHK'D: DMCGOWAN 2018/07/13							
▽ = 0	3 PLACES ±			APPR: DMCGOWAN 2018/07/13			PRODUCT CUSTOMER DRAWING				
▽ = 0	2 PLACES ± 0.13			INITIAL REVISION:			DOCUMENT NUMBER				
▽ = 0	1 PLACE ± 0.25			DRWN: RCARLSON 2015/05/21			SD-170718-0030		DOC TYPE	DOC PART	REVISION
▽ = 0	0 PLACES ±			APPR: KLANG 2016/09/16					PSD	000	A4
▽ = 0	DRAFT WHERE APPLICABLE MUST REMAIN WITHIN DIMENSIONS			THIRD ANGLE PROJECTION	DRAWING	SERIES	MATERIAL NUMBER		CUSTOMER		SHEET NUMBER
▽ = 0					C-SIZE	170718	GENERAL MARKET		3 OF 5		

ELECTRICAL CHARACTERISTIC	VALUE AT 25°C	
CHIP SIDE RETURN LOSS	1 - 50 MHz	30 dB MIN
	50 - 100 MHz	30-0.04*(freq(MHz)-50) dB MIN
	100 - 200 MHz	28-0.10*(freq(MHz)-100) dB MIN
	200 - 400 MHz	18-0.04*(freq(MHz)-200) dB MIN
	400 - 500 MHz	10-0.01*(freq(MHz)-400) dB MIN
LINE SIDE RETURN LOSS	1 - 50 MHz	30 dB MIN
	50 - 100 MHz	30-0.04*(freq(MHz)-40) dB MIN
	100 - 200 MHz	28-0.10*(freq(MHz)-100) dB MIN
	200 - 400 MHz	18-0.04*(freq(MHz)-200) dB MIN
	400 - 500 MHz	10-0.01*(freq(MHz)-400) dB MIN
INSERTION LOSS	1 - 400 MHz	3 dB MAX
MODE CONVERSION CM ON LINE TO DM ON CHIP	1 - 50 MHz	-48 dB MAX
	50 - 100 MHz	-48+0.1*(freq(MHz)-50) dB MAX
	100 - 500 MHz	-43+0.03*(freq(MHz)-100) dB MAX
MODE CONVERSION CM ON CHIP TO DM ON LINE	1 - 50 MHz	-38 dB MAX
	50 - 100 MHz	-38+0.1*(freq(MHz)-50) dB MAX
	100 - 200 MHz	-33+0.03*(freq(MHz)-100) dB MAX
	200 - 300 MHz	-30+0.02*(freq(MHz)-200) dB MAX
	300 - 500 MHz	-28+0.01*(freq(MHz)-300) dB MAX
COMMON MODE REJECTION	1 - 100 MHz	-23 dB MAX
	100 - 400 MHz	-23+0.02*(freq(MHz)-100) dB MAX
	400 - 500 MHz	-17+0.01*(freq(MHz)-400) dB MAX
ALIEN CROSSTALK	1 - 50 MHz	-70 dB MAX
	50 - 200 MHz	-70+0.047*(freq(MHz)-50) dB MAX
	200 - 400 MHz	-63+0.015*(freq(MHz)-200) dB MAX
	400 - 500 MHz	-60+0.03*(freq(MHz)-400) dB MAX
CROSSTALK WITHIN A PORT	1 - 50 MHz	-40dB MAX
	50 - 100 MHz	0.12*(freq(MHz)-50)-40 dB MAX
	100 - 200 MHz	0.06*(freq(MHz)-100)-34 dB MAX
	200 - 300 MHz	0.03*(freq(MHz)-200)-28 dB MAX
	300 - 500 MHz	0.015*(freq(MHz)-300)-25 dB MAX
OCL	100 kHz @ 0 mA bias current; 160 μH MINIMUM	
	100 kHz @ 8 mA bias current; 150 μH MINIMUM	
TURN RATIO	1.000.02	
INSULATION RESISTANCE	2250 VDC	

SYMBOLS  = 0  = 0  = 0  = 0  = 0  = 0  = 0  = 0	THIS DRAWING CONTAINS INFORMATION THAT IS PROPRIETARY TO MOLEX ELECTRONIC TECHNOLOGIES, LLC AND SHOULD NOT BE USED WITHOUT WRITTEN PERMISSION		CURRENT REV DESC:		 10 GIG 2X1 PRESS-FIT ASSEMBLY PRODUCT CUSTOMER DRAWING DOCUMENT NUMBER: SD-170718-0030 DOC TYPE: PSD DOC PART: 000 REVISION: A4 MATERIAL NUMBER: GENERAL MARKET SHEET NUMBER: 4 OF 5
	DIMENSION UNITS	SCALE	EC NO: 175337		
	mm		DRWN: RALVAREZ02	2018/04/19	
	GENERAL TOLERANCES (UNLESS SPECIFIED)		CHK'D: DMCGOWAN	2018/07/13	
	ANGULAR TOL	± °	APPR: DMCGOWAN	2018/07/13	
	4 PLACES	±	INITIAL REVISION:		
	3 PLACES	±	DRWN: RCARLSON	2015/05/21	
	2 PLACES	± 0.13	APPR: KLANG	2016/09/16	
	1 PLACE	± 0.25	THIRD ANGLE PROJECTION		
	0 PLACES	±	DRAWING	SERIES	
DRAFT WHERE APPLICABLE MUST REMAIN WITHIN DIMENSIONS		C-SIZE	170718		

PCB PIN SIDE

RJ45 JACK SIDE



CENTER TAP
TERMINATION
CIRCUITS

SHIELD

THIS DRAWING CONTAINS INFORMATION THAT IS PROPRIETARY TO MOLEX ELECTRONIC TECHNOLOGIES, LLC AND SHOULD NOT BE USED WITHOUT WRITTEN PERMISSION										
SYMBOLS		DIMENSION UNITS	SCALE	CURRENT REV DESC:			molex			
▽ = 0	mm			EC NO: 175337			10 GIG 2X1 PRESS-FIT ASSEMBLY			
▽ = 0	GENERAL TOLERANCES (UNLESS SPECIFIED)			DRWN: RALVAREZ02 2018/04/19						
▽ = 0	ANGULAR TOL ± °			CHK'D: DMCGOWAN 2018/07/13			PRODUCT CUSTOMER DRAWING			
▽ = 0	4 PLACES ±			APPR: DMCGOWAN 2018/07/13						
▽ = 0	2 PLACES ± 0.13			INITIAL REVISION:			DOCUMENT NUMBER: SD-170718-0030 DOC TYPE: PSD DOC PART: 000 REVISION: A4			
▽ = 0	1 PLACE ± 0.25			DRWN: RCARLSON 2015/05/21						
▽ = 0	0 PLACES ±			APPR: KLANG 2016/09/16			MATERIAL NUMBER: GENERAL MARKET CUSTOMER: SHEET NUMBER: 5 OF 5			
▽ = 0	DRAFT WHERE APPLICABLE MUST REMAIN WITHIN DIMENSIONS			THIRD ANGLE PROJECTION						
▽ = 0				DRAWING: C-SIZE						