

RAD

LED Traditional Wall Pack

Beyond LED's RAD wall pack is the newest and feature rich product of 2021 offering a traditional design for the innovative LED Technology providing up to 145 lumens per watt efficacy. It offers three wattages selection with energy-efficient LED technology and optional installation accessories including surge-protector, motion sensor, wire guard, shield, and an emergency backup. RAD comes with a built-in photocell and is available in die cast aluminium housings with a polycarbonate lens to stand up for many years of punishing environmental conditions.



SKU #	Model #	Watts	Lumens	CCT	IP	Dimming	Housing	Input Voltage	Certifications
153459	BLT-SWP05M-60HBSGSA1-BRW50	40W/50W/60W	5800Lm/ 8700Lm	5000K	IP65	0-10V	Bronze	100-277Vac	UL & DLC
153462	BLT-SWP05M-120DBSGSA1-BRW50	80W/100W/120W	11600Lm/ 17400Lm	5000K	IP65	0-10V	Brąz	100-277Vac	UL & DLC

Product Features

- Operating temperature: -40°C to 50°C
- Durable die-cast aluminum housing
- Built-in photocell
- Enclosure provides a water-tight seal making it suitable for outdoor application
- Integral LED driver (60W isolated driver and 120W non-isolated driver), eliminates the need for an external driver or ballast
- Up to 145 lumens per watt
- Three selectable wattage
- Complies with UL safety regulations and is DLC5.1 listed
- High Quality and Efficacy Lumiled 2835 chips
- This product is IP65 rated, therefore, it is waterproof, sealed and gasketed wire
- Universal operation at 120-277Vac 50-60Hz
- Environment friendly with no mercury
- Easy to install and operate, with instant and no humming
- Energy saving, long lifespan

SKU NUMBER 153459 Specifications



Parameter	Description	Value
General Performance	Input Power	Up to 60W Wattage adjustable 40W /50W /60W
	Lumen	Up to 8700LM
	Lumen Efficacy	Up to 145LM/W
	Color Temperature	5000K
	CRI	>80
	Beam Angle (50%) (Tolerance : ±15%)	100 Degree
Electrical	Input Voltage	120-277VAC 50/60Hz
	PF	≥0.9
	THD	≤20%
	Driver Model	HB-LPG060-52
Physical	Driver Surge protection	L-N: 2kV
	Dimming	0-10V dimming standard
	Operating Temperature	-40°C TO 50°C
	Storage Temperature	-40°C TO 80°C
	Operating Humidity	20% - 90% RH
	Storage Humidity	10% - 95% RH
	LED Brand	LUMILEDS
	LED Type	SMD 2835
	LED QTY	225 PCS
Qualification	Housing	Die-cast aluminum
	Housing Color	Bronze
	Waterproof Rating	WET (IP65)
	Warranty Time	5 Years

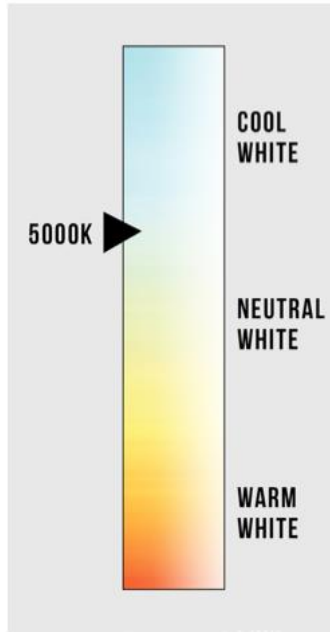


SKU Number 153462 Specifications

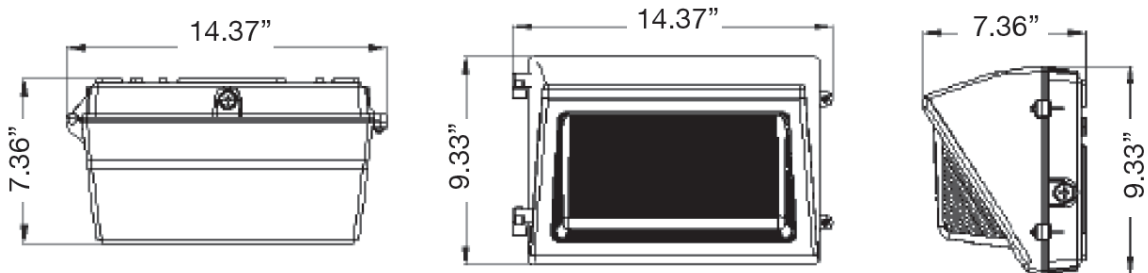


Parameter	Description	Value
General Performance	Input Power	Up to 120W Wattage adjustable 120W /100W /80W
	Lumen	Up to 17400LM
	Lumen Efficacy	Up to 145LM/W
	Color Temperature	5000K
	CRI	>80
	Beam Angle (50%) (Tolerance : ±15%)	100 Degree
Electrical	Input Voltage	120-277VAC 50/60Hz
	PF	≥0.9
	THD	≤20%
	Driver Model	MP-120TG130A
Physical	Driver Surge protection	L-N: 2kV
	Dimming	0-10V dimming standard
	Operating Temperature	-40°C TO 50°C
	Storage Temperature	-40°C TO 80°C
	Operating Humidity	20% - 90% RH
	Storage Humidity	10% - 95% RH
	LED Brand	LUMILEDS
	LED Type	SMD 2835
	LED QTY	420 PCS
Qualification	Housing	Die-cast aluminum
	Housing Color	Bronze
	Waterproof Rating	WET (IP65)
	Warranty Time	5 Years

Correlated Colour Temperature (CCT)



Dimensions



SKU Number 153459 Light Distribution Testing Parameters

Luminaire Data

Voltage: 119.9 V
 Current: 0.486 A
 Power: 58.12 W
 Power Factor: 0.996

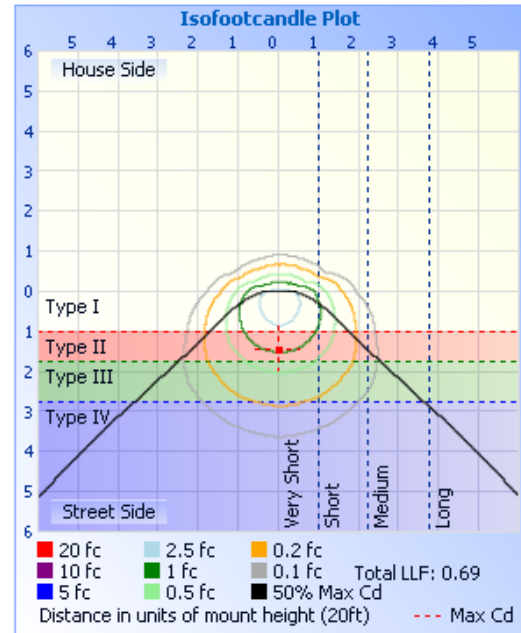
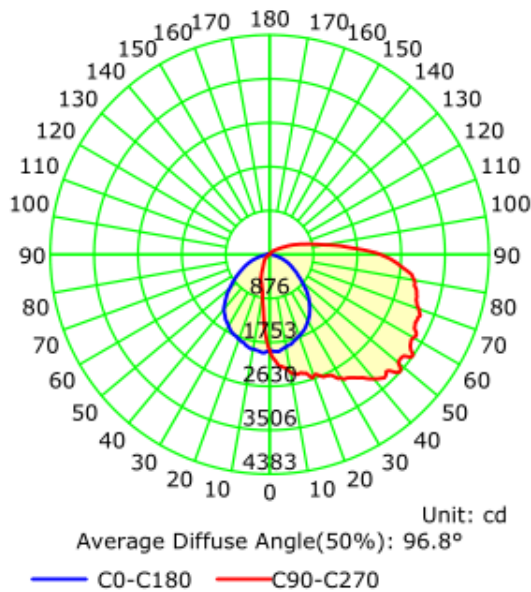
Photometric Results

IES Classification: Type IV
 Total Rated Lamp Lumens: 8458.2 lm
 Efficiency: 100%
 Upward Ratio: 12%
 C0r0 Intensity: 1918.19 cd
 Pos of Max. Intensity: H90 V55

Longitudinal Classification: Very Short
 Measurement Flux: 8458.2 lm
 Downward Ratio: 88%
 Luminaire Efficacy Rating (LER): 145.58
 Max. Intensity: 3506.85 cd



Luminous Intensity Distribution Curve



SKU Number 153462 Light Distribution Testing Parameters

Luminaire Data

Voltage: 120.0 V
 Current: 1.03 A
 Power: 123.54 W
 Power Factor: 0.995

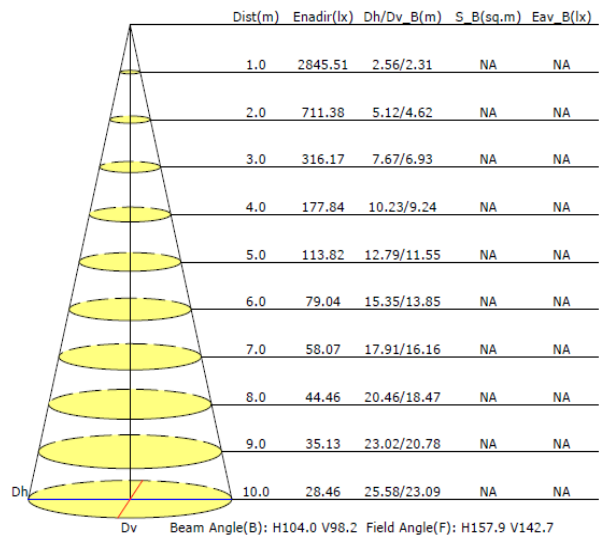
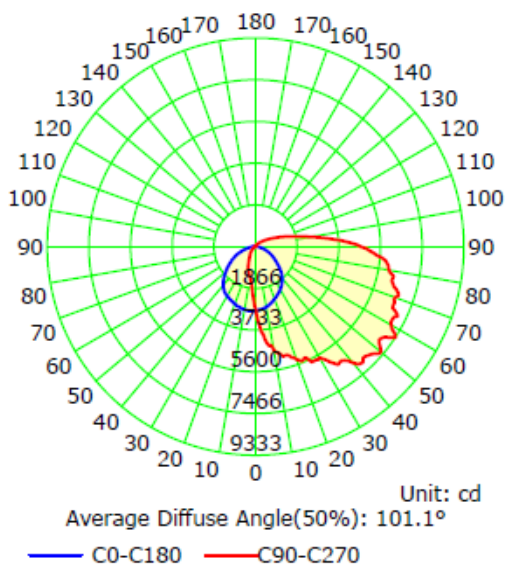
Photometric Results

IES Classification: Type IV
 Total Rated Lamp Lumens: 17446.0 lm
 Efficiency: 100%
 Upward Ratio: 13%
 C0r0 Intensity: 2845.51 cd
 Pos of Max. Intensity: H90 V57

Longitudinal Classification: Very Short
 Measurement Flux: 17446 lm
 Downward Ratio: 87%
 Luminaire Efficacy Rating (LER): 141.27
 Max. Intensity: 7466.82 cd



Luminous Intensity Distribution Curve



Notes Before Installation

1. Be careful to open the carton, contact us if any damage.
2. This product must be installed in accordance with the applicable installation, code by a person familiar with the construction and operation of the product and the hazards involved.
3. “caution - risk of shock” and “disconnect power before servicing” when photoelectric switch provided.
4. Please check whether the voltage marked on the luminaire is consistent with the input voltage to be connected, so as not to damage the LED luminaire.
5. To ensure the lifetime of the product, please do not use it in a place with strong acid mist.
6. Make sure the installation position can withstand 10 times the weight of the luminaire before installation and install it at a flat place without vibration, no swing, no fire hazard.

Caution

1. Do not use an electric generator to test the LED fixture.
2. Please abide by related country, regional and local law and regulations when install this fixture;
3. Do not install the fixture in raining days to avoid electrical shock or damage.

Notes for Users

1. To avoid possibility of electrical shock or fire, the installation personnel must have professional electric knowledge;
2. Please wear gloves to avoid injury before installation;
3. If smoke or fire is found in wires or led fixture during or after installation, please turn off the power immediately and notify relevant personnel;
4. This fixture is available in outdoor usage, but the distance from fixture to ground should be more than 2m.

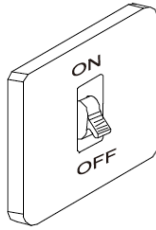
- Please turn off power before install or change assembly parts.
- The input voltage and lamps should be matched, after connecting the power line, Please make sure the wiring section is insulated.
- No-professionals, must not install and disassemble the lamps.

Caution

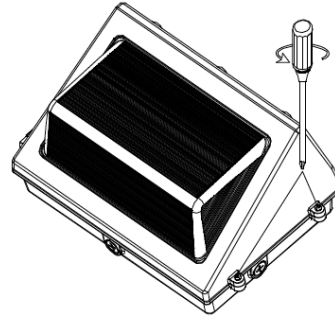
1. This luminaire must be installed by qualified electrician to avoid electric shock and fire accident;
2. Wear gloves before installation in order to avoid injury;
3. Turn off the power immediately when there is smoke and fire during installation, inform professionals to overhaul;
4. This luminaire is suitable for outdoor use.

Installation Instructions

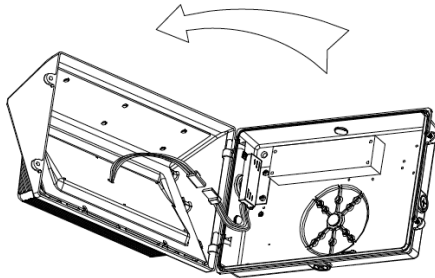
Installation Method – 1



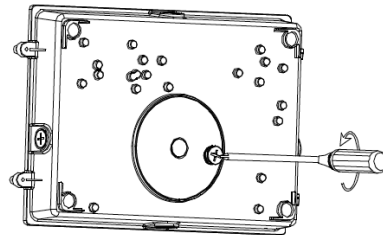
1. Turn off the power.



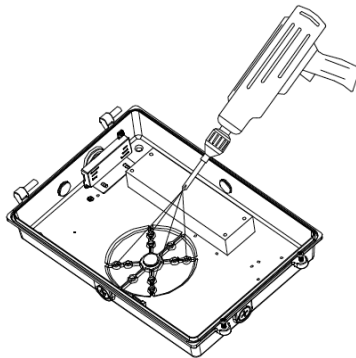
2. Use a screwdriver to remove the screws on both sides.



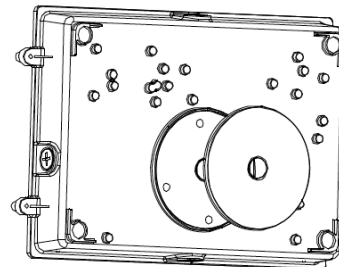
3. Open the fixture, disconnect the connection terminals, and remove the upper cover of the fixture.



4. Use a screwdriver to remove the plug.

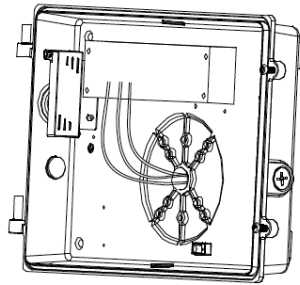


5. Drill through the mounting hole with an electric drill.

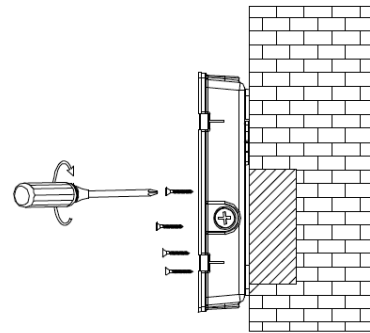


6. Attach EVA cotton pad to bottom shell.

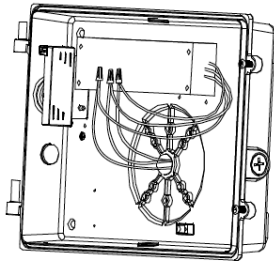




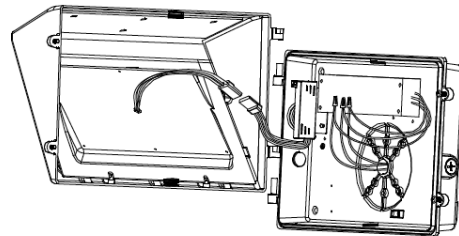
7. Thread the wire through the bottom hole.



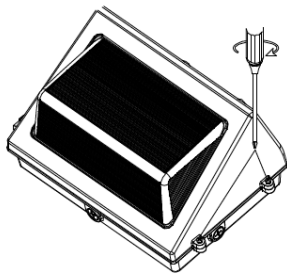
8. Lock the bottom shell on the mounting seat with screws.



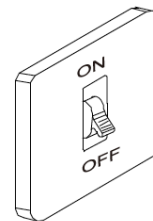
9. L, N and G wires connected to the power supply.



10. Install the cover of the fixture and connect the terminal block.



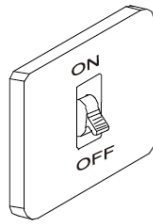
11. Fix the fixture with screws.



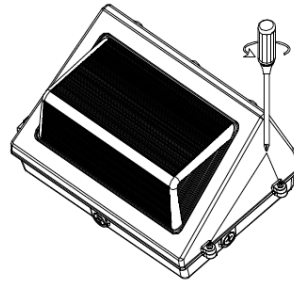
12. Make sure the installation is complete before turning on the power switch.



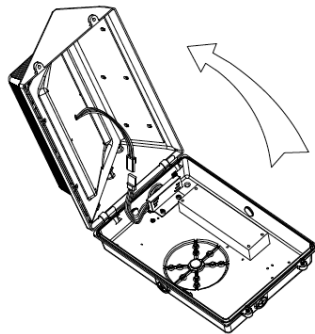
Installation Method – 2



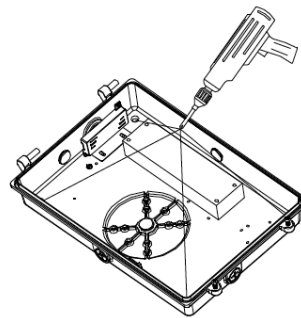
1. Turn off the power.



2. Use a screwdriver to remove the screws on both sides.

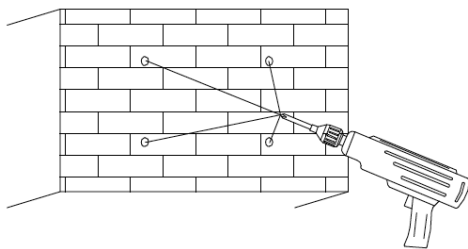


3. Open the fixture, disconnect the connection terminals, and remove the upper cover of the fixture.

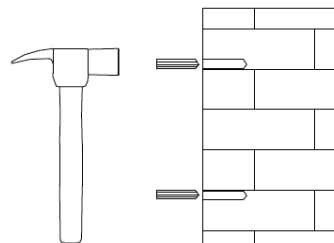


4. Drill through the mounting hole with an electric drill.

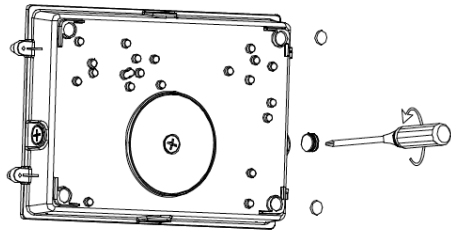
NOTE:



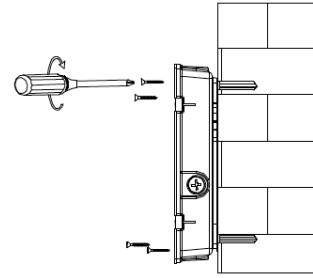
5. Drill a hole in the wall with an electric drill.



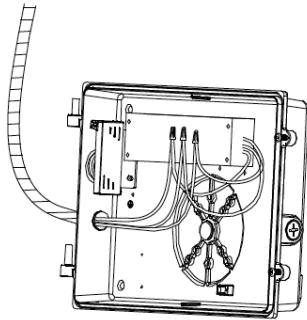
6. Push the expansion rubber plug into the mounting hole on the wall.



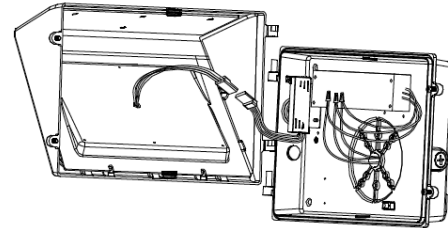
7. Use a screwdriver to remove the side plug and attach the EVA cotton pad to the mounting hole.



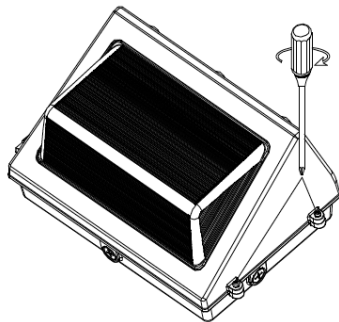
8. Push the expansion rubber plug into the mounting hole on the wall



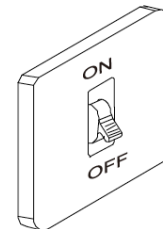
9. The top terminal connect the wire tube through the side hole to the L, N and G wires on the power supply.



10. Install the upper cover of the fixture and connect the terminal line.



11. Fix the fixture with screws.



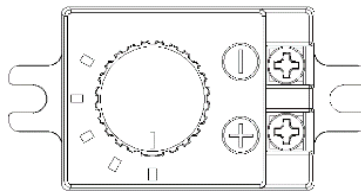
12. Make sure the installation is complete before turning on the power switch.

Wiring and Features

L/live wire: Black\Brown; N/null wire: White\Blue; Ground wire: Green\Yellow-green.
 Warning: During grounding, make sure the earth wire of the driver and fixture housing are connected together with the earth wire of the local power supply.

MIN 90°C SUPPLY CONDUCTORS

THIS PRODUCT MUST BE INSTALLED IN ACCORDANCE WITH THE APPLICABLE INSTALLATION CODE BY A PERSON FAMILIAR WITH THE CONSTRUCTION AND OPERATION OF THE PRODUCT AND THE HAZARDS INVOLVED



Wattage adjustable instruction

Turn the wattage adjustable knob to a certain wattage gear, the power of the lamp will change to the corresponding wattage.

Note: Please turn off the power before adjusting the wattage.

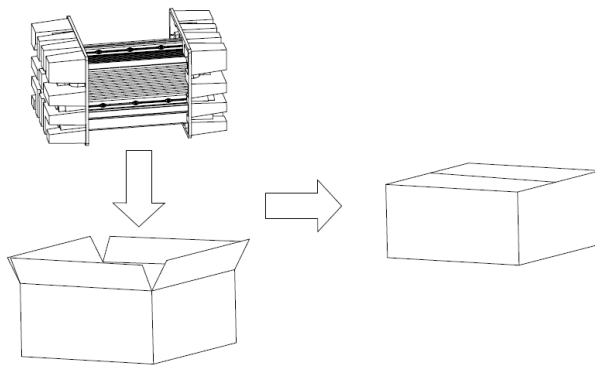
Troubleshooting

Troubles	Check points
Flickering of the light	Turn off the power and turn on again in 3 minutes. If same phenomena occur, then call agencies.
Out of working	Please check the connection.

Packaging

Box	Size	Qty / Carton	Net Weight / Carton	Gross Weight / Carton
Outer Box	16 x 12 x 10 inches	1 PC	7.93 lbs.	10.14 lbs

****Tolerance of Carton Size: ± 15 MM, Tolerance of Weight: $\pm 10\%$.**



1. Please do not shake it too much during transportation, handle carefully when unloading.
2. Recommended to be stored in a warehouse of $-10 \sim +60$ °C and keep the warehouse dry.

Application

Tunnel (except for motor vehicle tunnel), workshop, warehouse, factory, house, building exterior, etc.

Safety Precautions

To reduce the risk of death, personal injury or property damage from fire, electric shock, falling parts, cuts/abrasions, and other hazards read all warnings and instructions included with and on the fixture box and all fixture labels.

Before installing, servicing, or performing routine maintenance upon this equipment, follow these general precautions.

Commercial installation, service and maintenance of luminaires should be performed by a qualified licensed electrician.

For the installation: If you are unsure about the installation or maintenance of the luminaires, consult a qualified licensed electrician and check your local electrical code.

To prevent wiring damage or abrasion, do not expose wiring to edges of sheet metal or other sharp objects. Do not make or alter any open holes in an enclosure of wiring or electrical components during kit installation.

WARNING: RISK OF FIRE OR ELECTRICAL SHOCK

Turn off electrical power at fuse or circuit breaker box before wiring fixture to the power supply.

Turn off the power when you perform any maintenance.

Verify that supply voltage is correct by comparing it with the luminaire label information.

Make all electrical and grounded connections in accordance with the National Electrical Code and any applicable local code requirements. All wiring connections should be capped with UL approved wire connectors.

CAUTION: RISK OF INJURY

Avoid direct eye exposure to the light source while it is on.

Account for small parts and destroy packing material, as these may be hazardous to children.

Warranty

5 Years Warranty

