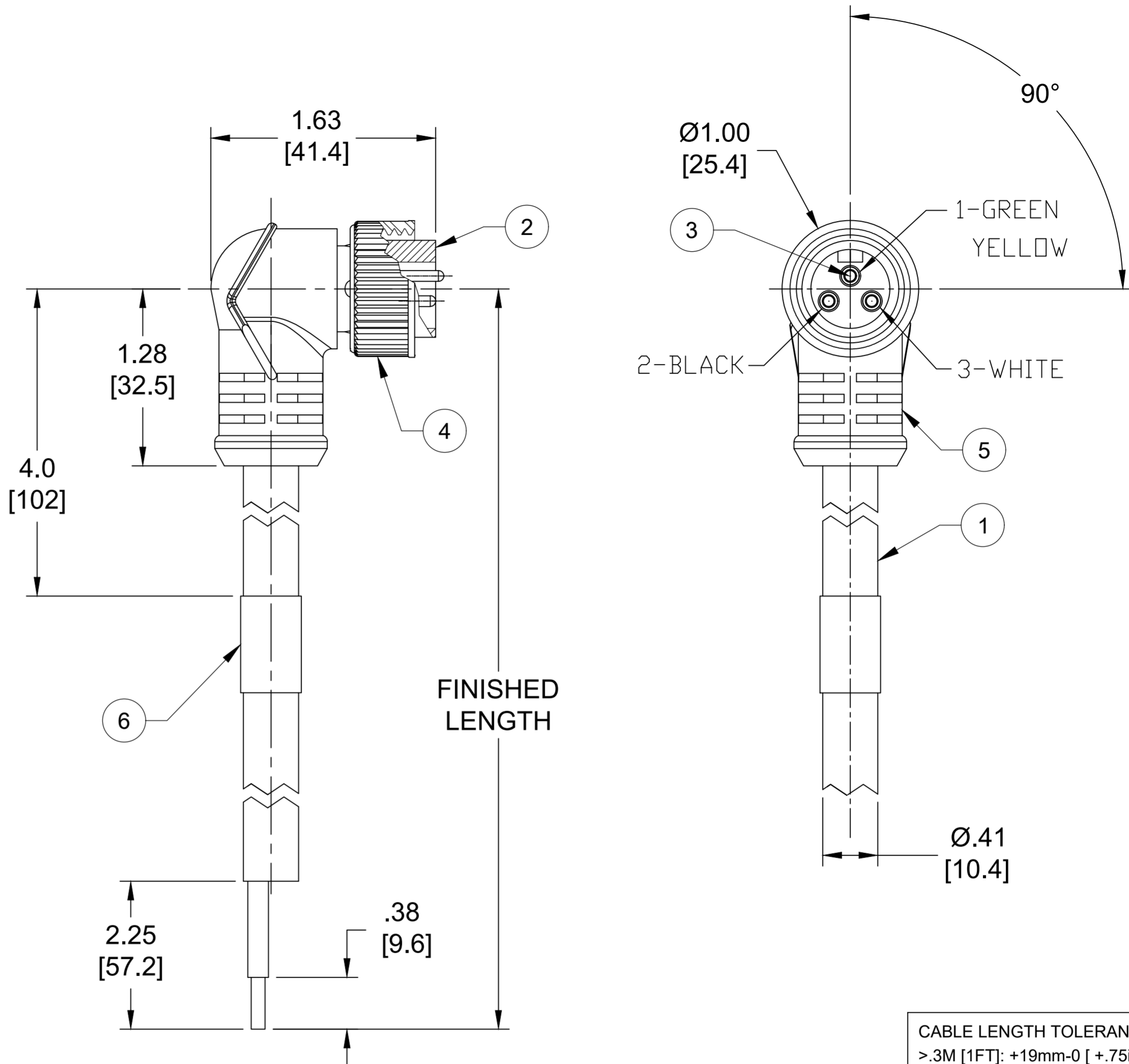
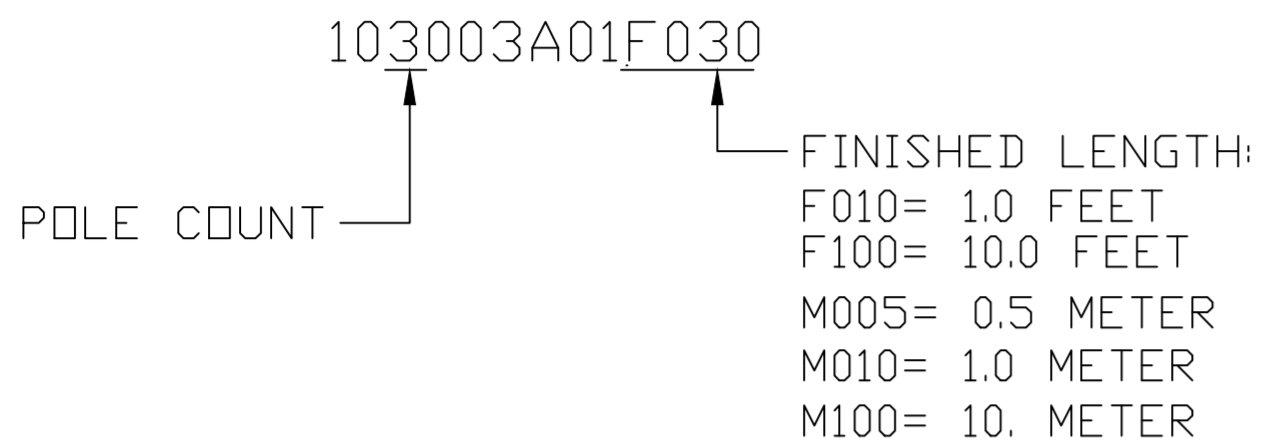


| PART NO.   | ENGINEERING NO. | FINISHED LENGTH |
|------------|-----------------|-----------------|
| 1300060643 | 103003A01F030   | 3.0FT [91.4M]   |
| 1300060647 | 103003A01F060   | 6.0FT [1.8M]    |
| 1300060657 | 103003A01F200   | 20.0FT [6.1M]   |

REF. THIS DRAWING SUPERSEDES SD-130006-035 REV-1 (A)

**PART NUMBER LEGEND**



- NOTES:**
- MATERIAL: AS NOTED
  - FINISH: AS NOTED
  - ELECTRICAL:  
VOLTAGE: 500V PER IEC60664  
600V PER UL2238  
CURRENT: 13A
  - TEMP RATING: -20°TO +80°C
  - PROTECTION: IP67 (WHEN MATED)
  - COUPLING THREAD: 7/8-16UN
  - UL RECOGNIZED FILE: E152210  
CSA CERTIFIED FILE: LR6837
  - ALL DIMS ARE FOR REFERENCE UNLESS TOLERANCED OR NOTED OTHERWISE

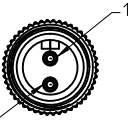
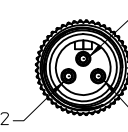
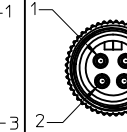
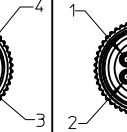
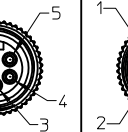
**CABLE LENGTH TOLERANCES**

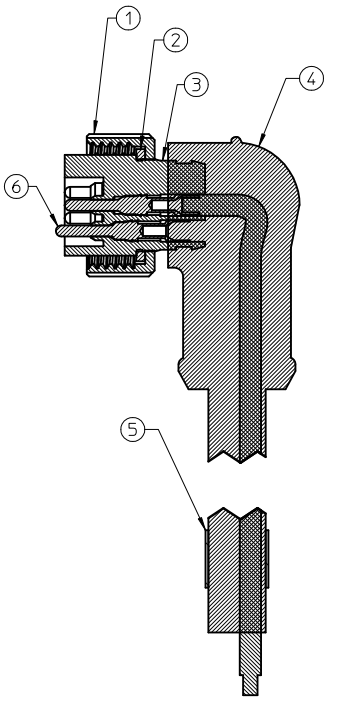
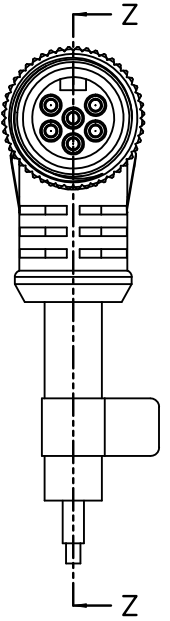
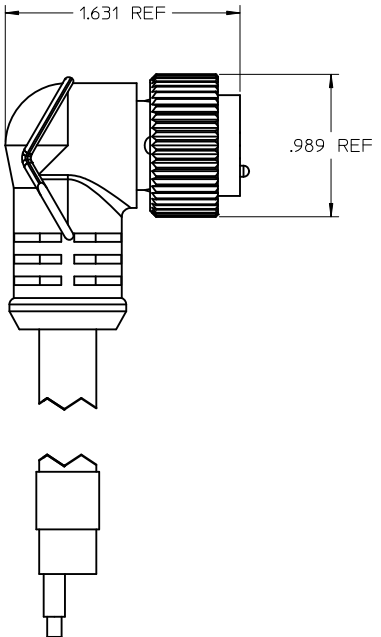
|                         |                         |
|-------------------------|-------------------------|
| >.3M [1FT]              | +19mm-0 [+ .75in-0]     |
| .3 - .9M [1 - 3FT]      | +44.5mm-0 [+1.75in-0]   |
| .9 - 1.8M [3 - 6FT]     | +55.6mm-0 [+2.19in-0]   |
| 1.8 - 3.7M [6 - 12FT]   | +88.9mm-0 [+3.50in-0]   |
| 3.7 - 7.3M [12 - 24FT]  | +165.1mm-0 [+6.50in-0]  |
| 7.3-14.6M [24 - 48FT]   | +317.5mm-0 [+12.50in-0] |
| 14.6 - 30.5M [48-100FT] | +622.3mm-0 [+24.50in-0] |
| OVER 30M [100FT]        | +2% OF FINISHED LENGTH  |

| ITEM | DESCRIPTION            | MATERIAL      | FINISH        |
|------|------------------------|---------------|---------------|
| 6    | WRAP LABEL             | VINYL         | BLACK/YELLOW  |
| 5    | OVERMOLD               | TPE           | YELLOW        |
| 4    | COUPLING NUT, INT. THD | ZINC DIE-CAST | NICKEL PLATED |
| 3    | CONTACT PIN            | COPPER ALLOY  | GOLD PLATED   |
| 2    | MALE INSERT            | TPE           | YELLOW        |
| 1    | CABLE, 16/3, STOOW     | PVC JACKET    | YELLOW        |

| <p>THIS DRAWING CONTAINS INFORMATION THAT IS PROPRIETARY TO MOLEX ELECTRONIC TECHNOLOGIES, LLC AND SHOULD NOT BE USED WITHOUT WRITTEN PERMISSION</p>    |   |       |    |      |          |       |       |          |       |       |          |       |       |         |       |       |          |       |       |  |   |
|---|---|-------|----|------|----------|-------|-------|----------|-------|-------|----------|-------|-------|---------|-------|-------|----------|-------|-------|--|---|
| <p><b>SYMBOLS</b></p> <p>▽ = 0</p> <p>▽ = 0</p> <p>▽ = 0</p> <p>▽ = 0</p> <p>▽ = 0</p> <p>▽ = 0</p> <p>▽ = 0</p> <p>▽ = 0</p> <p>▽ = 0</p> <p>▽ = 0</p> | <p>DIMENSION UNITS</p> <p><b>INCH/MM</b></p> <p>SCALE</p> <p><b>1:1</b></p> <p>GENERAL TOLERANCES (UNLESS SPECIFIED)</p> <table border="1"> <thead> <tr> <th></th> <th>mm</th> <th>INCH</th> </tr> </thead> <tbody> <tr> <td>4 PLACES</td> <td>±----</td> <td>±----</td> </tr> <tr> <td>3 PLACES</td> <td>±----</td> <td>±----</td> </tr> <tr> <td>2 PLACES</td> <td>±----</td> <td>±----</td> </tr> <tr> <td>1 PLACE</td> <td>±----</td> <td>±----</td> </tr> <tr> <td>0 PLACES</td> <td>±----</td> <td>±----</td> </tr> </tbody> </table> <p>ANGULAR TOL ± ---- °</p> <p>DRAFT WHERE APPLICABLE MUST REMAIN WITHIN DIMENSIONS</p> |       | mm | INCH | 4 PLACES | ±---- | ±---- | 3 PLACES | ±---- | ±---- | 2 PLACES | ±---- | ±---- | 1 PLACE | ±---- | ±---- | 0 PLACES | ±---- | ±---- | <p>CURRENT REV DESC: REDRAWN, WAS SD-130006-035</p> <p>EC NO: 624117</p> <p>DRWN: RSTONE 2019/09/10</p> <p>CHK'D: MZIELINSKI 2019/09/19</p> <p>APPR: BWOODMAN 2019/10/03</p> <p>INITIAL REVISION:</p> <p>DRWN: RSTONE 2019/09/10</p> <p>APPR: BWOODMAN 2019/10/03</p> <p>THIRD ANGLE PROJECTION</p> <p>DRAWING</p> <p>C-SIZE</p> <p>SERIES</p> <p>130006</p> | <p><b>molex</b></p> <p>MINI CHANGE CABLE ASSY, 3P, MALE, 90 DEG</p> <p>16AWG, STOOW, INTERNAL THREAD</p> <p>PRODUCT CUSTOMER DRAWING</p> <p>DOCUMENT NUMBER</p> <p><b>1300060643</b></p> <p>DOC TYPE</p> <p>PSD</p> <p>DOC PART</p> <p>000</p> <p>REVISION</p> <p><b>A</b></p> <p>MATERIAL NUMBER</p> <p>CUSTOMER</p> <p>SHEET NUMBER</p> <p>1 OF 1</p> |
|   | mm  | INCH  |    |      |          |       |       |          |       |       |          |       |       |         |       |       |          |       |       |  |   |
| 4 PLACES  | ±----   | ±---- |    |      |          |       |       |          |       |       |          |       |       |         |       |       |          |       |       |  |   |
| 3 PLACES  | ±----   | ±---- |    |      |          |       |       |          |       |       |          |       |       |         |       |       |          |       |       |  |   |
| 2 PLACES  | ±----   | ±---- |    |      |          |       |       |          |       |       |          |       |       |         |       |       |          |       |       |  |   |
| 1 PLACE   | ±----   | ±---- |    |      |          |       |       |          |       |       |          |       |       |         |       |       |          |       |       |  |   |
| 0 PLACES  | ±----   | ±---- |    |      |          |       |       |          |       |       |          |       |       |         |       |       |          |       |       |  |   |

FRONT VIEW - MALE ASSEMBLY

|  |   |   |   |   |
|--|---|---|---|---|
|  |  |  |  |  |
| 1. WHITE<br>2. BLACK   | 1. GREEN/YELLOW<br>2. BLACK<br>3. WHITE   | 1. BLACK<br>2. WHITE<br>3. RED<br>4. GREEN/YELLOW                                 | 1. WHITE<br>2. RED<br>3. GREEN/YELLOW<br>4. ORANGE<br>5. BLACK                    | 1. WHITE<br>2. RED<br>3. GREEN/YELLOW<br>4. ORANGE<br>5. BLACK<br>6. BLUE         |



Section Z-Z

|   |                               |                                       |   |   |                 |                    |                            |  |
|---|-------------------------------|---------------------------------------|---|---|-----------------|--------------------|----------------------------|--|
| ENTER DESCRIPTION<br>EC NO: WNA2010-0429<br>DRWIN:WOODMAN 2010/01/12<br>CHKD: 2010/01/14<br>APPR: JFMURPHY 2010/01/14 | QUALITY SYMBOLS<br>▽=0<br>▽=0 | GENERAL TOLERANCES (UNLESS SPECIFIED) |   | DIMENSION STYLE   | SCALE           | DESIGN UNITS       | THIRD ANGLE PROJECTION     |  |
|   |                               |                                       |   | IN/MM   | 1.5:1           | INCH               |                            |  |
|   |                               | 4 PLACES                              | ± | ---   | ±               | ---                | TITLE                      |  |
|   |                               | 3 PLACES                              | ± | ---   | ±               | ---                | MC 6P MP<br>90D 16/4 STOOW |  |
| 2 PLACES  | ±                             | ---                                   | ± | ---   | DRAWN BY DATE   |                    |                            |  |
| 1 PLACE   | ±                             | ---                                   | ± | ---   | CHECKED BY DATE |                    |                            |  |
| ANGULAR ±1/2°   |                               | APPROVED BY DATE                      |   | MATERIAL NO.  |                 | DOCUMENT NO.       |                            |  |
| DRAFT WHERE APPLICABLE MUST REMAIN WITHIN DIMENSIONS  |                               | 9999999999                            |   | 769   |                 | MOLEX INCORPORATED |                            |  |
|   |                               | SIZE C                                |   | THIS DRAWING CONTAINS INFORMATION THAT IS PROPRIETARY TO MOLEX INCORPORATED AND SHOULD NOT BE USED WITHOUT WRITTEN PERMISSION |                 | SHEET NO. 1 OF 2   |                            |  |

MINI A SIZE 90° MALE ASSEMBLY

|        |        |        |        |        |
|--------|--------|--------|--------|--------|
| 2 POLE | 3 POLE | 4 POLE | 5 POLE | 6 POLE |
|--------|--------|--------|--------|--------|

| Sl. No. | DESCRIPTION                   | MATERIAL     | FINISH         | QUANTITY |   |   |   |   |
|---------|-------------------------------|--------------|----------------|----------|---|---|---|---|
| 1       | COUPLING NUT                  | ZINC DIECAST | BLACK E-COATED | 1        | 1 | 1 | 1 | 1 |
| 2       | FRICTION RING                 | NYLON        | NATURAL        | 1        | 1 | 1 | 1 | 1 |
| 3       | 2P MALE INSERT PVC A SIZE     | PVC          | YELLOW         | 1        |   |   |   |   |
|         | 3P MALE INSERT PVC A SIZE     | PVC          | YELLOW         |          | 1 |   |   |   |
|         | 4P MALE INSERT PVC A SIZE     | PVC          | YELLOW         |          |   | 1 |   |   |
|         | 5P MALE INSERT PVC A SIZE     | PVC          | YELLOW         |          |   |   | 1 |   |
|         | 6P MALE INSERT PVC A SIZE     | PVC          | YELLOW         |          |   |   |   | 1 |
| 4       | #16 AWG YELLOW STOOW/ST CORD  | PVC JACKET   | YELLOW         | 2        | 3 | 4 | 5 | 6 |
| 5       | LABEL.WRAP AROUND LABEL-2 x 3 | PLASTIC FILM | BLACK/YELLOW   | 1        | 1 | 1 | 1 | 1 |
| 6       | PIN CONTACT                   | COPPER ALLOY | GOLD PLATED    | 1        | 1 | 1 | 1 | 1 |

| POLE COUNT | MAX. VOLTAGE RATING | MAX. CURRENT RATING | CABLE DIAMETER |
|------------|---------------------|---------------------|----------------|
| 2 POLE     | 600 VOLTS           | 13 AMPS             | .37" /9.4mm    |
| 3 POLE     | 600 VOLTS           | 13 AMPS             | .41" /10.4mm   |
| 4 POLE     | 600 VOLTS           | 10 AMPS             | .42" /10.7mm   |
| 5 POLE     | 600 VOLTS           | 8 AMPS              | .50" /12.7mm   |
| 6 POLE     | 600 VOLTS           | 8 AMPS              | .54" /13.7mm   |

| PART NUMBER | DESCRIPTION   | FINISHED LENGTH                |
|-------------|---------------|--------------------------------|
| 1300060192  | 102003A01F030 | 3' +1.75" -0 [.9M + 44.5 -0]   |
| 1300060194  | 102003A01F060 | 6' +2.19" -0 [1.8M + 55.6 -0]  |
| 1300060196  | 102003A01F120 | 12' +3.50" -0 [3.7M +88.9 -0]  |
| 1300060200  | 102003A01F200 | 20' +6.50" -0 [6.1M +165.1 -0] |
| 1300060643  | 103003A01F030 | 3' +1.75" -0 [.9M + 44.5 -0]   |
| 1300060647  | 103003A01F060 | 6' +2.19" -0 [1.8M + 55.6 -0]  |
| 1300060651  | 103003A01F120 | 12' +3.50" -0 [3.7M +88.9 -0]  |
| 1300060657  | 103003A01F200 | 20' +6.50" -0 [6.1M +165.1 -0] |
| 1300061084  | 104003A01F030 | 3' +1.75" -0 [.9M + 44.5 -0]   |
| 1300061087  | 104003A01F060 | 6' +2.19" -0 [1.8M + 55.6 -0]  |
| 1300061090  | 104003A01F120 | 12' +3.50" -0 [3.7M +88.9 -0]  |
| 1300061095  | 104003A01F200 | 20' +6.50" -0 [6.1M +165.1 -0] |
| 1300061516  | 105003A01F030 | 3' +1.75" -0 [.9M + 44.5 -0]   |
| 1300061518  | 105003A01F060 | 6' +2.19" -0 [1.8M + 55.6 -0]  |
| 1300061521  | 105003A01F120 | 12' +3.50" -0 [3.7M +88.9 -0]  |
| 1300061524  | 105003A01F200 | 20' +6.50" -0 [6.1M +165.1 -0] |
| 1300061700  | 106003A01F030 | 3' +1.75" -0 [.9M + 44.5 -0]   |
| 1300061703  | 106003A01F060 | 6' +2.19" -0 [1.8M + 55.6 -0]  |
| 1300061706  | 106003A01F120 | 12' +3.50" -0 [3.7M +88.9 -0]  |
| 1300061713  | 106003A01F200 | 20' +6.50" -0 [6.1M +165.1 -0] |

|   |                     |   |   |                                      |                            |   |                        |  |  |
|---|---------------------|---|---|--------------------------------------|----------------------------|---|------------------------|--|--|
| <b>ENTER DESCRIPTION</b><br>EC NO: MNA2010-0429<br>DRWN: BWOODMAN 2010/01/12<br>CHKD: 2010/01/14<br>APPR: JFMURPHY 2010/01/14 | QUALITY SYMBOLS<br> | GENERAL TOLERANCES (UNLESS SPECIFIED)   |   | DIMENSION STYLE<br><b>IN/MM</b>      | SCALE<br><b>3:1</b>        | DESIGN UNITS<br><b>INCH</b>                 | THIRD ANGLE PROJECTION |  |  |
|   |                     | 4 PLACES ± --- INCH<br>3 PLACES ± --- INCH<br>2 PLACES ± --- INCH<br>1 PLACE ± --- INCH | 4 PLACES ± --- mm<br>3 PLACES ± --- mm<br>2 PLACES ± --- mm<br>1 PLACE ± --- mm | DRAWN BY<br>NKUMAR01                 | DATE<br>01/11/2010         | TITLE<br><b>MC 6P MP<br/>90D 16/4 STOOW</b> |                        |  |  |
|   |                     | APPROVED BY<br>JFMURPHY   |   | DATE<br>2010/01/14                   | MOLEX INCORPORATED         |   |                        |  |  |
|   |                     | MATERIAL NO.<br><b>9999999999</b>   |   | DOCUMENT NO.<br><b>SD-130006-035</b> | SHEET NO.<br><b>2 OF 2</b> |   |                        |  |  |

DRAFT WHERE APPLICABLE MUST REMAIN WITHIN DIMENSIONS

SIZE C THIS DRAWING CONTAINS INFORMATION THAT IS PROPRIETARY TO MOLEX INCORPORATED AND SHOULD NOT BE USED WITHOUT WRITTEN PERMISSION