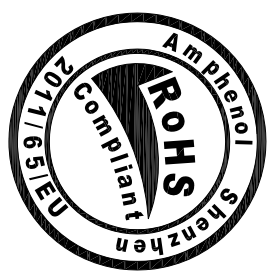
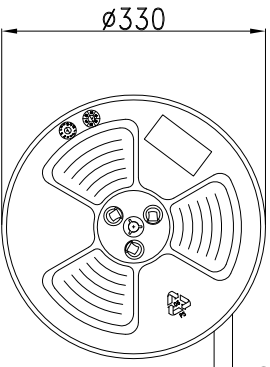
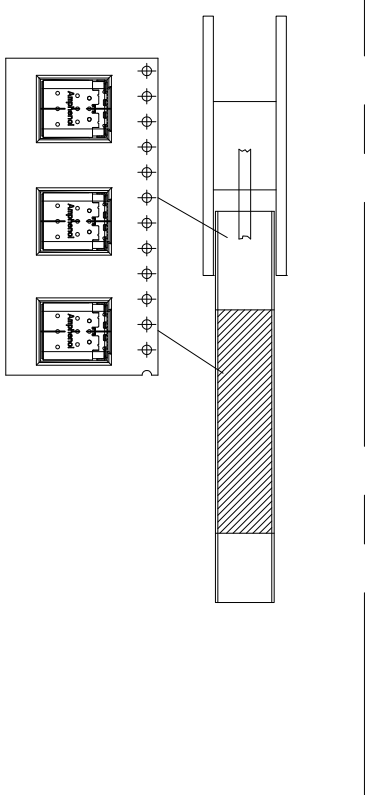
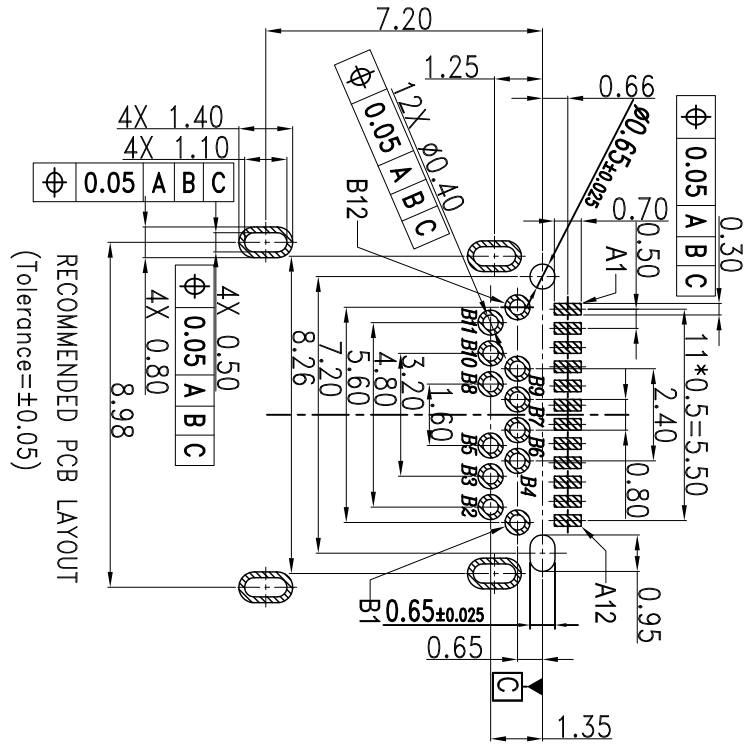
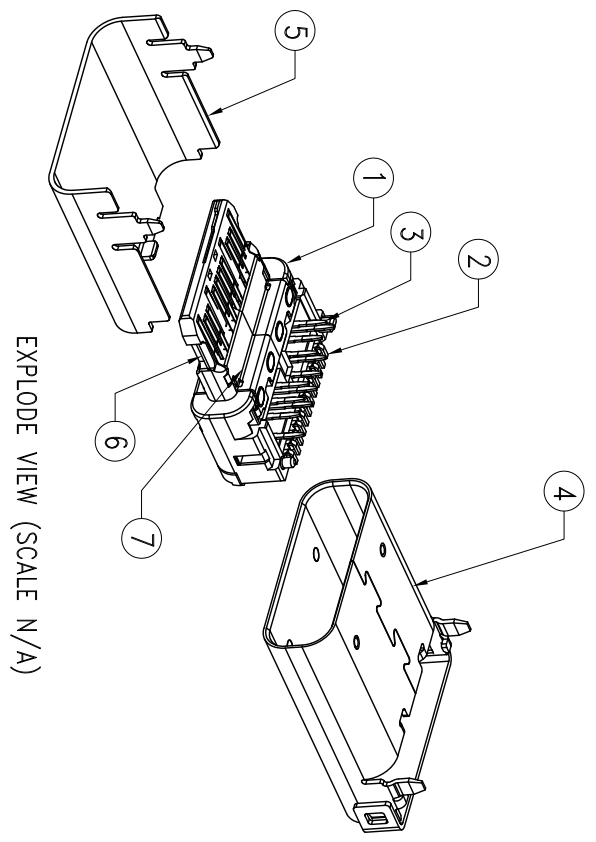


REV.	EQN. NO.	MODIFY. CONTENT	DATE
		SEE PAGE 1	



NOTES:

1. MATERIAL :SEE TABLE
2. COPLANARITY : 0.10 Max.
3. ELECTRICAL CHARACTERISTICS
LOW LEVEL CONTACT RESISTANCE: 40mΩ Max
INSULATION RESISTANCE:100MΩ Min
DIELECTRIC WITHSTANDING VOLTAGE:100 VAC:
CONTACT CURRENT RATING:5A Max
4. MECHANICAL CHARACTERISTICS
INSERTION FORCE: 5~20N
EXTRACTION FORCE: 8~20N
AFTER DURABILITY EXTRACTION FORCE: 6~20N
5. DURABILITY: 10000 CYCLES
6. PACKAGING TYPE: CARRIER TAPE.
7. MATERIAL SHOULD BE FILLED AMPHENOL SPEC# SSN002 AND CUSTOMER REQUIREMENTS, FOR HALOGEN FREE PRODUCTS, ALSO NEED TO MEET SSN004
8. Part Number:12401548XX12A

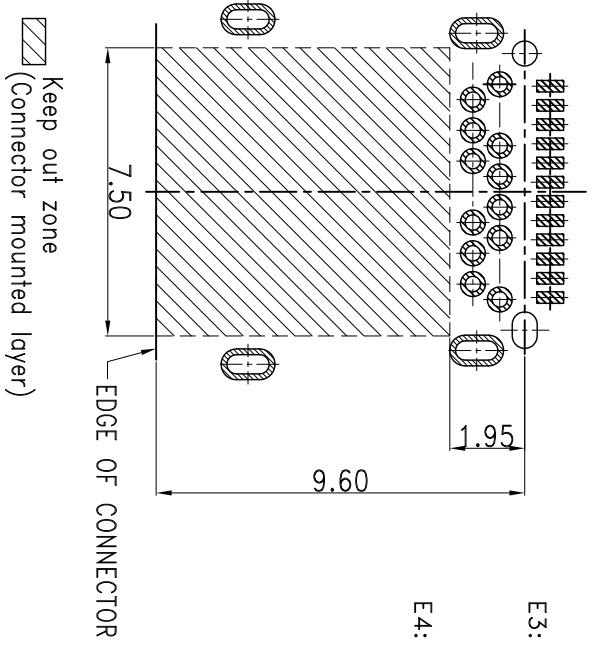


customer unwinding direction

PACKING:
1. 800 PCS/REEL.
2. 8 REEL/CARTON.

GENERAL TOLERANCE FILE NO. 12401548

x. ±0.50	x. ±5°	REV.	X1
.x±0.38	.x°±2°	SIZE	A4
.xx±0.25	.xx±1°		



- Plating Spec:
- E2: Mating Area: Gold flash
Solder Area: 100u" Min Matte Tin
50u" Min Nickel Under Plating Over All
 - E3: Mating Area: Au 15u" Min
Solder Area: 100u" Min Matte Tin
50u" Min Nickel Under Plating Over All
 - E4: Mating Area: Au 30u" Min
Solder Area: 100u" Min Matte Tin
50u" Min Nickel Under Plating Over All

ITEM	DESCRIPTION	Q'TY	MATERIAL
7	EMC	2	STAINLESS STEEL
6	MID PLATE	1	STAINLESS STEEL
5	OUT SHELL	1	STAINLESS STEEL
4	MAIN SHELL	1	STAINLESS STEEL
3	BOTTOM TERMINAL	1	COPPER ALLOY
2	TOP TERMINAL	1	COPPER ALLOY
1	MOLDING HOUSING	1	HIGH TEMPERATURE PLASTIC

BC.Wei

Weison.lu

Tom

12401548XX12A

USB TYPE C CONNECTOR HYBRID

2 OF 2

SCALE 1:1

DATE 02/22/2019

UNIT mm

Amphenol Shouhmin Industry