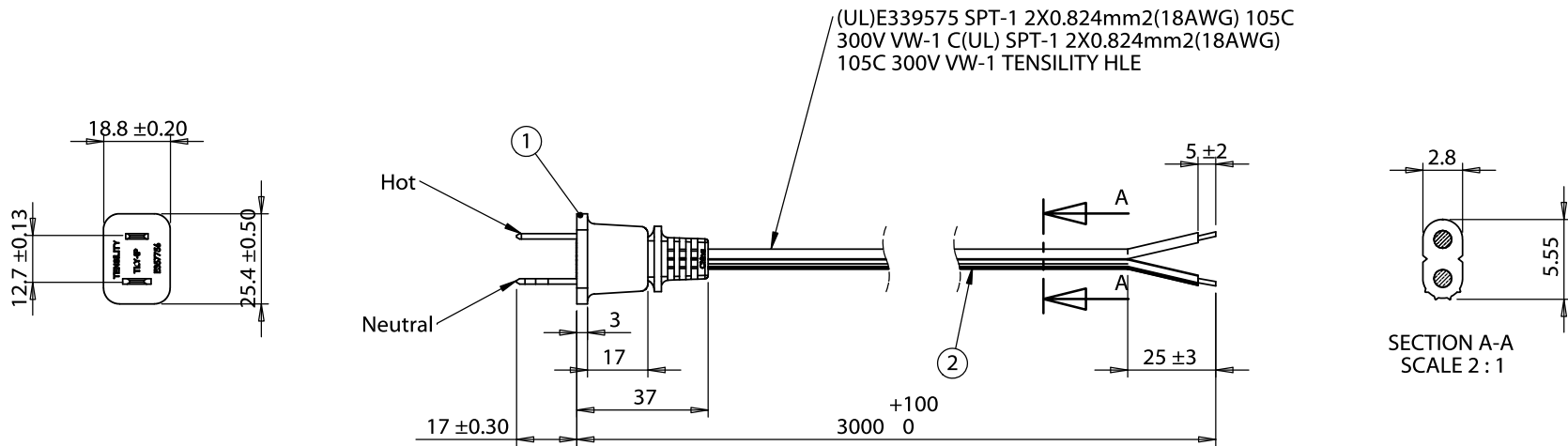


| ITEM NO. | PART NUMBER | DESCRIPTION | QTY. | NOTES |
|----------|-------------|--|------|-----------------------------------|
| 1 | TLY-1P | NEMA 1-15P, polarized | 1 | white overmold |
| 2 | 30-00243 | 2C, 18 AWG, UL SPT-1, 300V, 105°C, 5.55 mm, VW-1, PVC, white | 1 | terminates to stripped and tinned |



| Wiring diagram | |
|----------------|---------|
| TLY-1P | Wire |
| Neutral | Grooved |
| Hot | Smooth |

| Revision | Date | Description | Prepared by: | Notes: | <h1>TENSILITY</h1> <p>20802 Sockeye Place #130 Bend, OR 97701 USA tel 541.323.3228 fax 541.323.4202 800 877.670.7118 www.tensility.com</p> | |
|----------|-----------|-----------------|---|---|--|--------------|
| A | 8/27/2014 | Initial release | AG 2014.08.28 10:41:23 -07'00' | Cable rated for 10 A at 125 Vac as is. RoHS compliant | | |
| | | | Verified by: JM 2014.09.02 08:08:49 -07'00' | Function test: no open, no reversed polarity, no short circuit, no INT | | |
| | | | DIMENSIONS ARE IN MILLIMETERS TOLERANCES: X: ± 0.5 mm X.X: ± 0.3 mm X.XX: ± 0.05 mm | Description: Ac cord, 3000 mm, U.S, NEMA 1-15P plug, TLY-1P to tinned, 18 AWG, SPT-1 wire, 30-00243, white | | |
| | | | | SIZE A | Part number 11-00074 | |
| | | | | SCALE: 1:2 | WEIGHT: | SHEET 1 OF 1 |