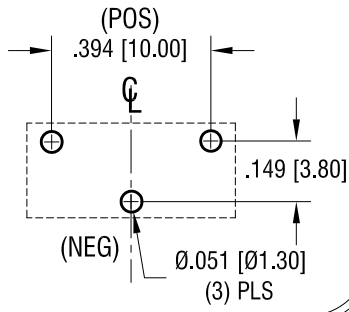
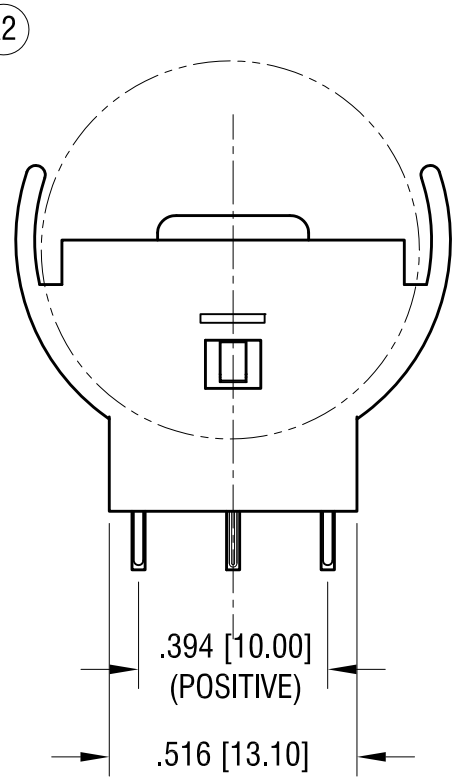
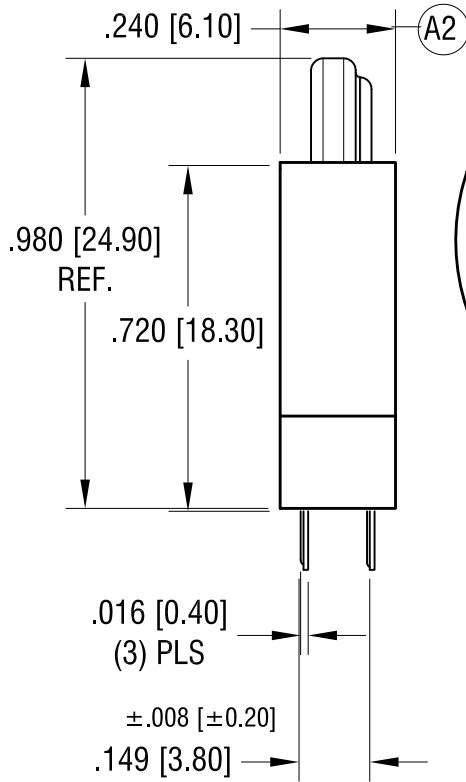
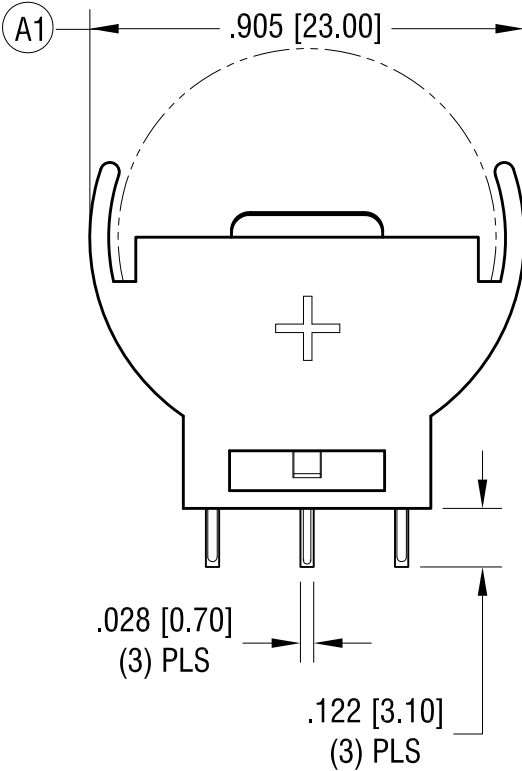
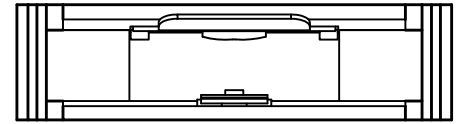
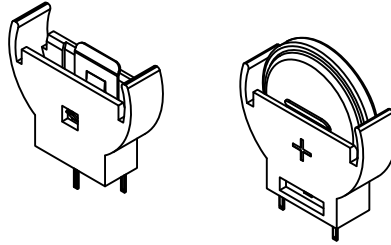


THIS DOCUMENT IS THE PROPERTY OF KEYSTONE ELECTRONICS CORP. AND SHALL NOT BE REPRODUCED, DISTRIBUTED OR USED AS A BASIS FOR MANUFACTURE WITHOUT PRIOR WRITTEN PERMISSION FROM KEYSTONE ELECTRONICS CORP.

**MTG LAYOUT**



**ACTUAL SIZE**



**NOTE:**

- HOUSING: PA (BLACK COLOR), UL94-V0
- CONTACT: MAT'L- .010 [0.25] TH'K BRASS, C2680  
FINISH-TIN PLATING

4.22.19	ADD FLAMMABILITY CHANGE AS PER ECN 19-044	B
5.10.18	(A1) WAS .897, (A2) WAS .248 CHANGE AS PER ECN 18-022	A
DATE	DESCRIPTION	REV.

<b>KEYSTONE ELECTRONICS CORP.</b>			
www.keyelco.com • NEW HYDE PARK, NY 11040 • Tel (516) 328-7500			
PART NAME COIN CELL VERTICAL THM HOLDER, CR2032			
MATERIAL AS NOTED			
FINISH AS NOTED	DRN BY NT	DATE 5.10.18	
	APP'D RH	SCALE 2.5X	
TOLERANCES INCH [MM] DECIMAL ±.010 [±.25] ANGULAR ± 1° UNLESS OTHERWISE SPECIFIED	CODE C	DWG NO. 1074	