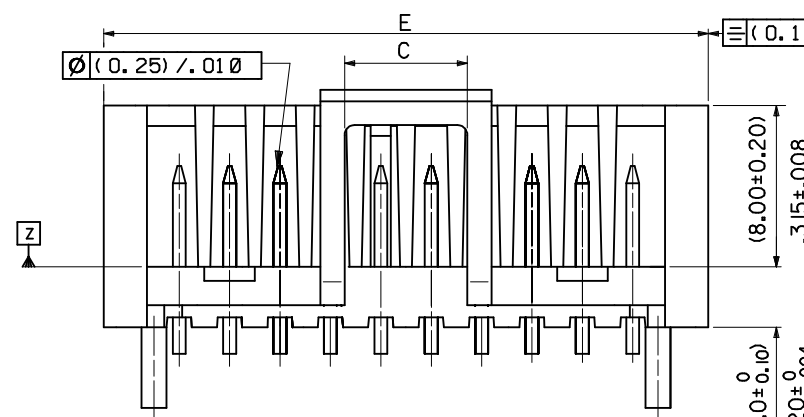
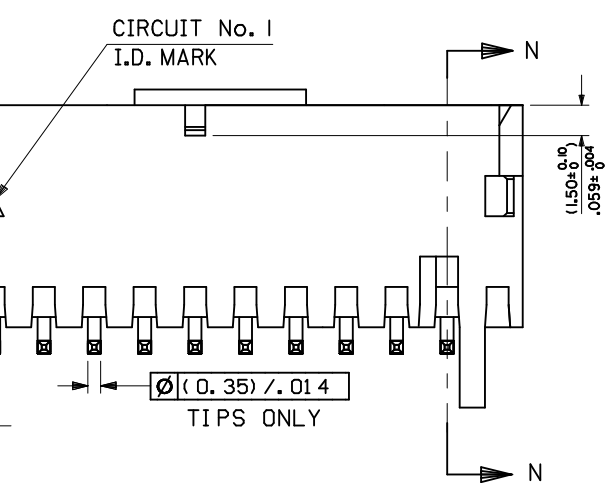
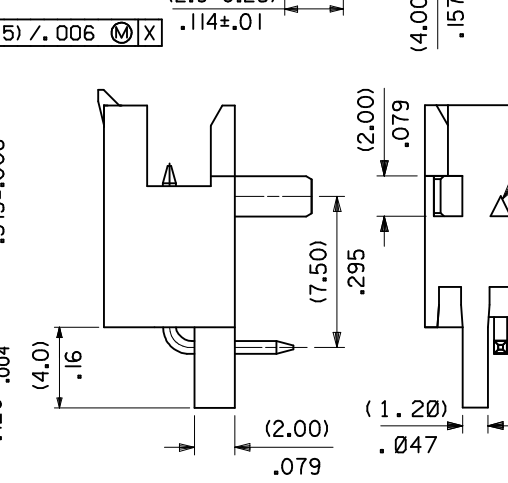


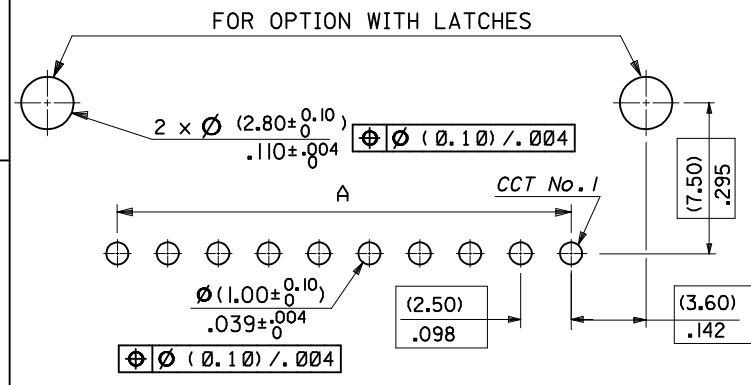
SECTION N-N
SKIP FEATURE AND KEYING IN SAME CIRCUIT. 2,3 & 4 CKT. ONLY.



RECOMMENDED P.C.B. HOLE LAYOUT
PCB LAYOUT : COMPONENT SIDE
PCB THICKNESS 1.5 TO 1.6.



- NOTES :
1. MATERIAL; HEADER: POLYESTER, UL 94V-0, G.E VALOX 310-SEO. PINS: BRASS, PLATING: (3um)/.118uin MIN. TIN OVER (2um)/.078uin MIN. COPPER OR NICKEL.
 2. FOR ALL UNSTATED DIMENSIONS, COLOUR I.D AND KEYING POSITIONS SEE SHEET 2.



EC NO: E2005-0199 DRW: P. SHEAHAN 2004/10/08 CHKD: 2004/10/11 APPR: B. MAGUIRE 2004/10/19	QUALITY SYMBOLS ▽ = ◻ =	GENERAL TOLERANCES (UNLESS SPECIFIED)		DIMENSION STYLE MM ONLY	SCALE 4:1	DESIGN UNITS METRIC	THIRD ANGLE PROJECTION
		4 PLACES ± --- ± --- 3 PLACES ± --- ± .006 2 PLACES ± .15 ± .008 1 PLACE ± .25 ± --- ANGULAR ± ---°	DRAWN BY DATE	TITLE 2.5MM UF HDR WTBR LTC	MOLEX INCORPORATED		SHEET NO. 1 OF
DRAFT WHERE APPLICABLE MUST REMAIN WITHIN DIMENSIONS		MATERIAL NO. SEE CHART		DOCUMENT NO. SDA-90649E		THIS DRAWING CONTAINS INFORMATION THAT IS PROPRIETARY TO MOLEX INCORPORATED AND SHOULD NOT BE USED WITHOUT WRITTEN PERMISSION	

CCT SIZE	ENG. NUMBER	A	B ±(0.25) ±.010	C ±(0.20) ±.008	D ±(0.20) ±.008	E ±(0.25) ±.010	KEY		COLOUR I.D	VOID POS' N CCT NO
							POS. CCT. No.	F ±(0.10) ±.004		
2	90649--002	(2.5) .098	(7.7) .303	(1.3) .051	(3.6) .142	(10.0) .394	1	(1.50) .059	NATURAL	
	--102						2	RED		
	--202						1&2 (1.0)/.040	GREEN		
	--302						1 (1.5)/.059	BLUE		
	--402						NONE -	PURPLE		
3	--8003	(5.0) .197	(10.2) .402	(2.6) .102	(6.1) .240	(12.5) .492	1	(1.50) .059	NATURAL	2
	--103						2	RED		
	--203						3	GREEN		
	--303						1&2 (1.0)/.040	BLUE		
	--403						NONE -	PURPLE		
4	--004	(7.5) .295	(12.7) .500	(5.1) .201	(8.6) .338	(15.0) .591	1	(1.00) .040	NATURAL	
	--104						2	RED		
	--204						3	GREEN		
	--304						4	BLUE		
	--404						NONE -	PURPLE		
5	--005	(10.0) .394	(15.2) .598	(5.1) .201		(17.5) .689	1	(1.00) .040	NATURAL	3
	--105						2	RED		
	--205						3	GREEN		
	--305						4	BLUE		
	--405						NONE -	PURPLE		
6	--006	(12.5) .492	(17.7) .697	(5.1) .201		(20.0) .787	2	(1.00) .040	NATURAL	4
	--106						3	RED		
	--206						4	GREEN		
	--306						5	BLUE		
	--406						NONE -	PURPLE		
7	--007	(15.0) .591	(20.2) .795	(5.1) .201		(22.5) .886	2	(1.00) .059	NATURAL	
	--107						3	RED		
	--207						4	GREEN		
	--307						5	BLUE		
	--407						NONE -	PURPLE		
8	--008	(17.5) .689	(22.7) .894	(5.1) .201		(25.0) .984	3	(1.00) .040	NATURAL	
	--108						4	RED		
	--208						5	GREEN		
	--308						6	BLUE		
	--408						NONE -	PURPLE		
9	--009	(20.0) .787	(25.2) .992	(5.1) .201		(27.5) 1.083	3	(1.00) .040	NATURAL	
	--109						4	RED		
	--209						5	GREEN		
	--309						6	BLUE		
	--409						NONE -	PURPLE		
10	--010	(22.5) .886	(27.7) 1.09	(5.1) .201		(30.0) 1.181	4	(1.00) .040	NATURAL	2&8
	--110						5	RED		
	--210						6	GREEN		
	--410						NONE -	PURPLE		
	11						--011	(25.0) .984	(30.2) 1.189	
--111		5	RED							
--211		6	GREEN							
90649--411		NONE -	PURPLE							

CCT SIZE	ENG. NUMBER	A	B ±(0.25) ±.010	C ±(0.20) ±.008	D ±(0.20) ±.008	E ±(0.25) ±.010	KEY		COLOUR I.D						
							POS. CCT.	F ±(0.10) ±.004							
12	90649--012	(27.5) 1.083	(32.7) 1.287	(5.1) .201	(8.6) .338	(35.0) 1.380	5	(1.00) .040	NATURAL						
	--112						6	RED							
	--212						7	GREEN							
	--412						NONE -	PURPLE							
	13						--013	(30.0) 1.181	(35.2) 1.386			(37.5) 1.476	5	(1.00) .040	NATURAL
--113		6	RED												
--213		7	GREEN												
--413		NONE -	PURPLE												
14		--014	(32.5) 1.280	(37.7) 1.484			(40.0) 1.575						6	(1.00) .040	NATURAL
	--114	7						RED							
	--414	NONE -						PURPLE							
	15	--015						(35.00) 1.378	(40.2) 1.583			(42.5) 1.673		(1.00) .040	
		--415											NONE -	PURPLE	
16		--016	(37.5) 1.476	(42.7) 1.681			(45.0) 1.772							(1.00) .040	
		--416											NONE -	PURPLE	
		17											--017	(40.0) 1.575	(45.2) 1.779
	--417							NONE -	PURPLE						
	18							--018	(42.5) 1.673	(47.7) 1.878			(50.0) 1.969		
--418			NONE -	PURPLE											
19			--019	(45.0) 1.772	(50.2) 1.976			(52.5) 2.067							
		--419	NONE -											PURPLE	
		20	--020											(47.5) 1.870	(52.7) 2.075
	90649--420		NONE -						PURPLE						

90649-****

- 1 WITH SNAP-IN LATCHES
- 3 WITHOUT SNAP-IN LATCHES
- 8 WITH SNAP-IN LATCHES AND VOID OPTIONS

NEW PART No.90649-8003 ADDED EC NO: E2005-0199 DRAWN:P.SHEAHAN 2004/10/08 CHKD: 2004/10/11 APPR:BMAGUIRE 2004/10/19	QUALITY SYMBOLS ▽ = ◁ =	GENERAL TOLERANCES (UNLESS SPECIFIED)		DIMENSION STYLE MM ONLY		SCALE ---	DESIGN UNITS METRIC	THIRD ANGLE PROJECTION	
		4 PLACES ±--- ±---		DRAWN BY DATE POB 13/10/90		TITLE 2.5MM UF HDR WTB RA LTC			
		3 PLACES ±--- ±---		CHECKED BY DATE X					
		2 PLACES ±--- ±---		APPROVED BY DATE X		MATERIAL NO. SEE CHART		DOCUMENT NO. SDA-90649E	
1 PLACE ±--- ±---		ANGULAR ±---°		DRAFT WHERE APPLICABLE MUST REMAIN WITHIN DIMENSIONS		molex MOLEX INCORPORATED			
SIZE A3		THIS DRAWING CONTAINS INFORMATION THAT IS PROPRIETARY TO MOLEX INCORPORATED AND SHOULD NOT BE USED WITHOUT WRITTEN PERMISSION							