

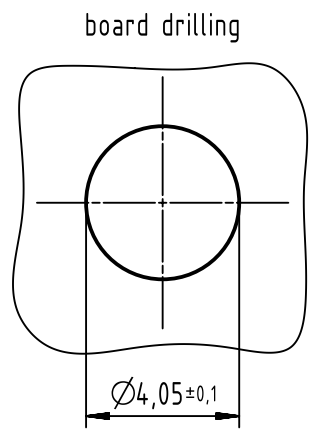
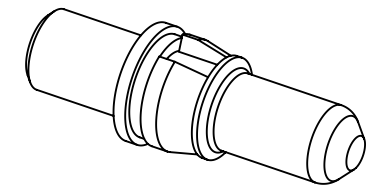
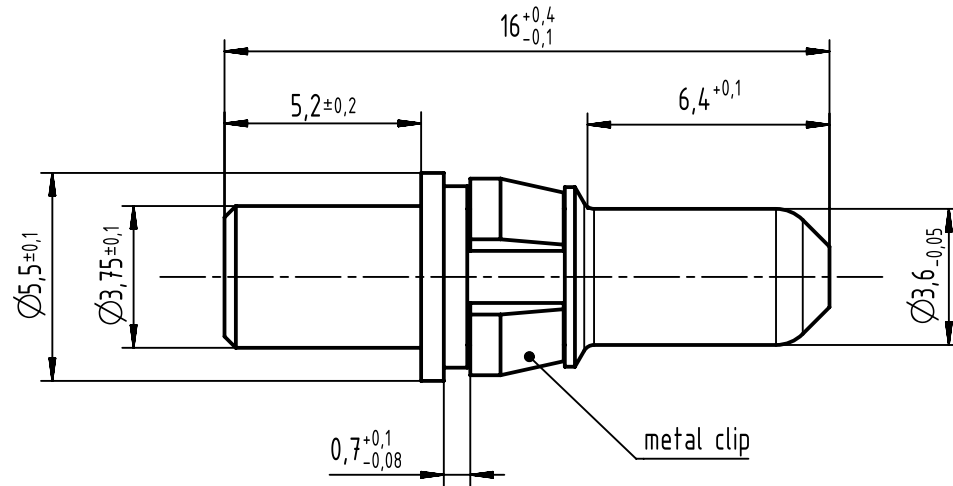
1 2 3 4 5 6


A

B

C

D



	All rights reserved Department EL PD	All Dimensions in mm Original Size DIN A4	Scale 5:1	Free size tol. complementary DIN 41626-1	Ref. Sub.	
		HARTING Electronics GmbH D-32339 Espelkamp	Created by STORCK	Inspected by ELLERMANN	Standardisation HOFFMANN	Date 2020-03-12
Title male contact power 40A straight solder flat					Doc-Key / ECM-Nr. 100828668/UGD/000/B 500000167814	
			Type TB	Number 09030006136	Rev. B	Page 1/1