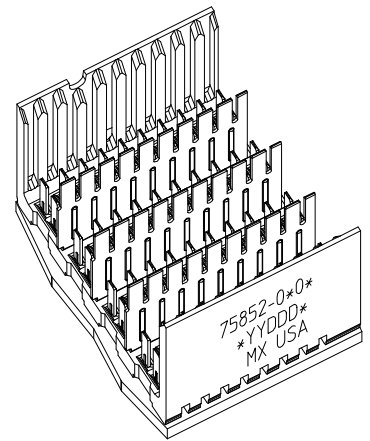
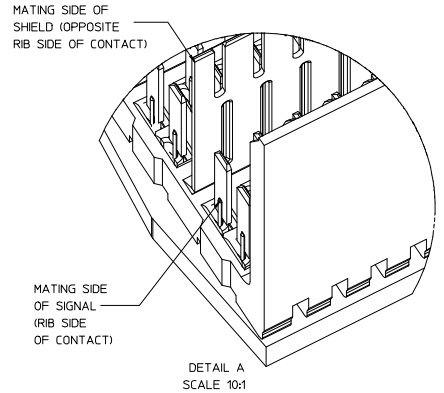
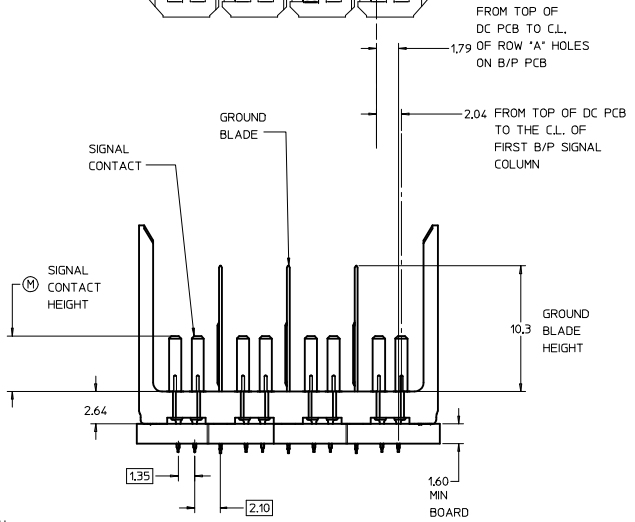
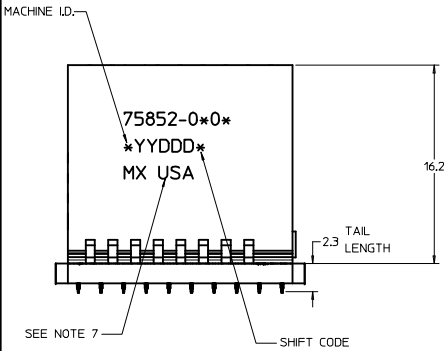
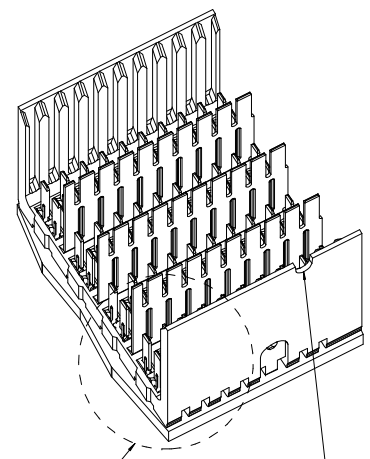
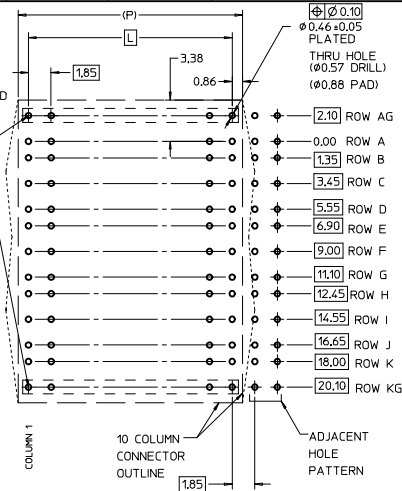


BACKPLANE HOLE PATTERN (COMPONENT SIDE-TO POS SHOWN)

ROW AG & KG RECOMMENDED FOR ALL APPLICATIONS. THESE ROWS SHOULD BE CONNECTED TO GROUND.



LEAD-FREE PLATING ON SIGNALS & SHIELDS

PART NUMBER TABLE				
ASSY PART NO.	K	L	P	TOTAL NO. OF DIFFERENTIAL PAIRS
75852-010*	9	16,65	18,35	40
75852-020*	24	44,40	46,10	100

- NOTES:
- MATERIAL: HOUSING - LIQUID CRYSTAL POLYMER (LCP) GLASS-FILLED, UL 94V-0, COLOR - GRAY. SIGNAL CONTACT AND GROUND BLADE - HIGH PERFORMANCE COPPER ALLOY.
 - FINISHES: SELECTIVE GOLD (Au) ON CONTACT AREA, SELECTIVE MATTE TIN (Sn) ON PCB TAILS, NICKEL (Ni) OVERALL.
 - THIS PART CONFORMS TO MOLEX PRODUCT SPECIFICATION PS-75221-999.
 - FOR MIXED CONTACT MATING LENGTHS CONSULT MOLEX FOR AVAILABILITY. CONTACT PAIRS MUST BE THE SAME LENGTH.
 - FOR SPECIFIC PART NUMBER AND MATING INFORMATION PLEASE REFER TO CHART.
 - PACKAGE PER PK-70873-5077.
 - EITHER MARK PART NUMBER AND DATE CODE APPROXIMATELY WHERE SHOWN OR PLACE A LABEL ON THE TUBE.
 - THIS PART CONFORMS TO MOLEX COSMETIC SPECIFICATION PS-45499-002 CLASS B.
 - MAPS (MOLEX ADVANCED PLATING SYSTEM).

75852-0*0*		
MODULE ORIENTATION	PIN LENGTH DIM "M"	GOLD (Au) THICKNESS micrometers
OPEN = 0	0-3.55 mm	0.25 (MAPS)
	1-4.55 mm	
	2-5.55 mm	
	3-3.55 mm	0.76
	4-4.55 mm	
	5-5.55 mm	
	7-3.55 mm	1.27
	8-4.55 mm	
	9-5.55 mm	

ADD MAPS EC NO: UCF2013-5239 DRAWN BY: DRWNSVANG01 CHKD: MOLFEE APPR: SMILLER	QUALITY SYMBOLS ▽=0 ▽=0 ▽=0	GENERAL TOLERANCES (UNLESS SPECIFIED) mm INCH 4 PLACES ± --- ± --- 3 PLACES ± --- ± --- 2 PLACES ± 0.25 ± --- 1 PLACE ± 0.13 ± --- 0 PLACE ± --- ± ---	DIMENSION STYLE MM ONLY	SCALE	DESIGN UNITS METRIC	THIRD ANGLE PROJECTION	DATE		TITLE
							DRAWN BY	CHECKED BY	
2013/06/12							DATE	DATE	GBX 4-PAIR BACKPLANE OPEN END THIN WALL SALES ASSEMBLY
2014/02/03							2006/01/16	2006/01/16	
							DATE	DATE	
							2014/02/03		
							MATERIAL NO. SEE CHART		
							DOCUMENT NO. SD-75852-010		
							SIZE 1 OF 1		
							THIS DRAWING CONTAINS INFORMATION THAT IS PROPRIETARY TO MOLEX INCORPORATED AND SHOULD NOT BE USED WITHOUT WRITTEN PERMISSION		