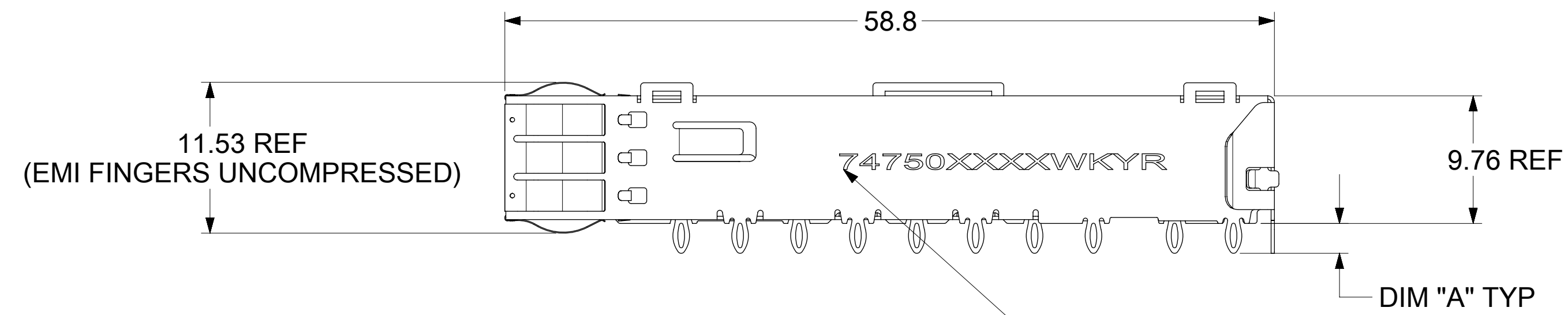
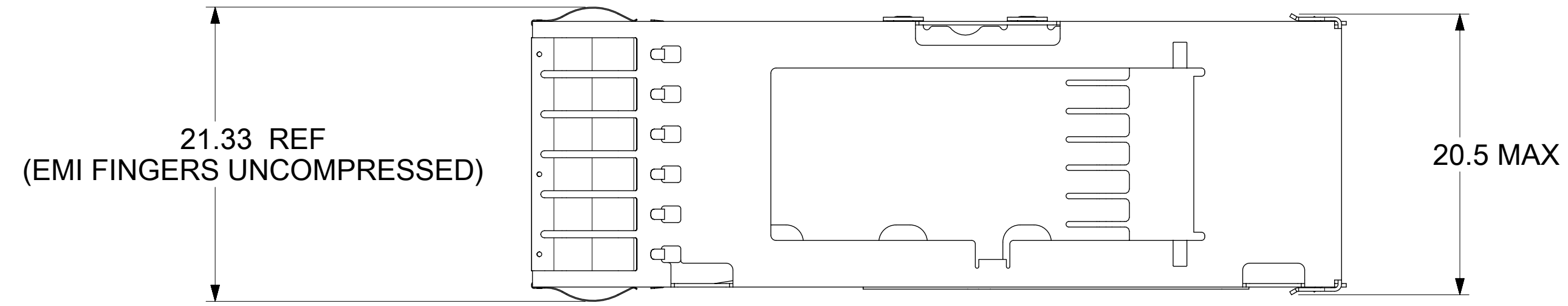


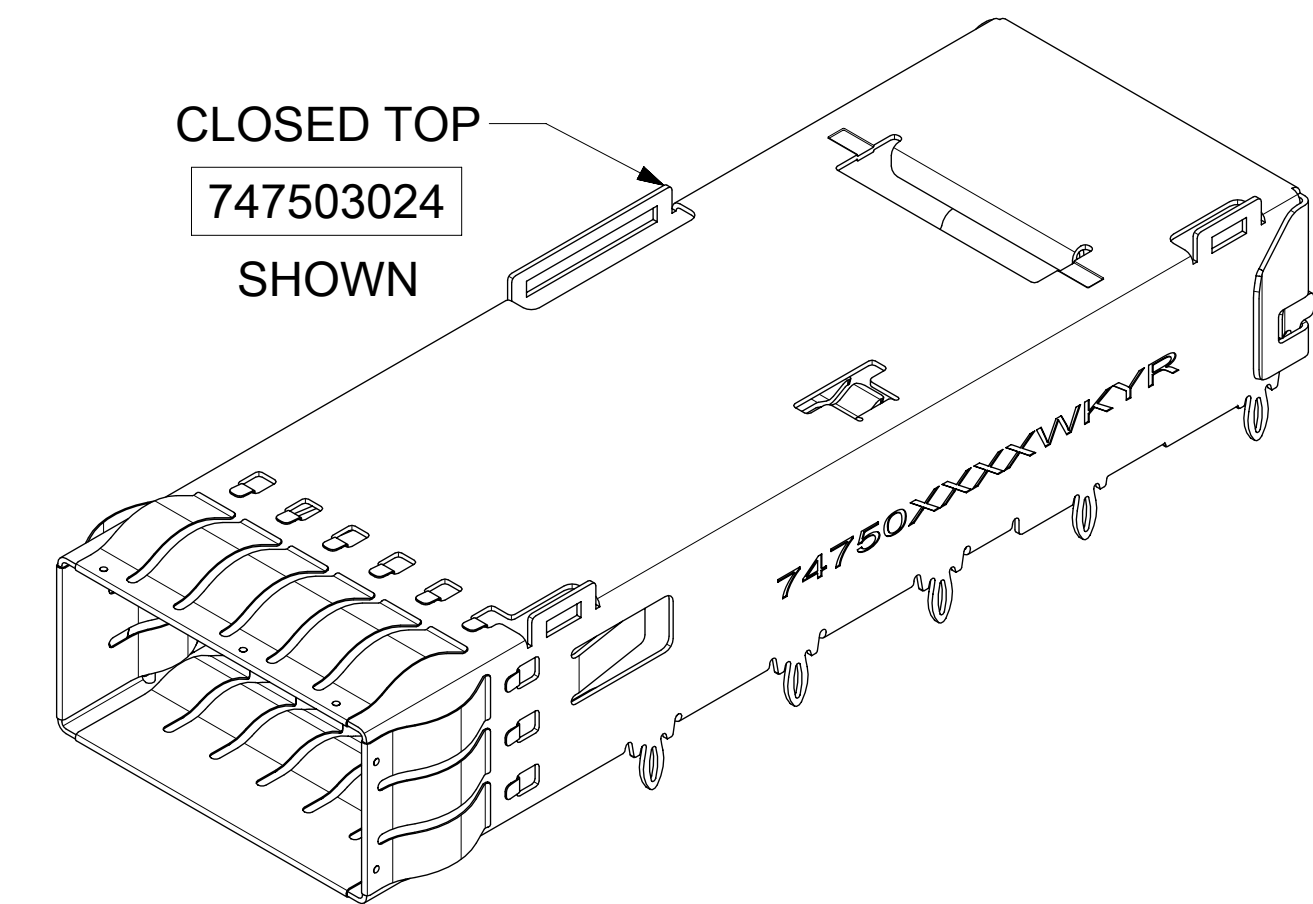
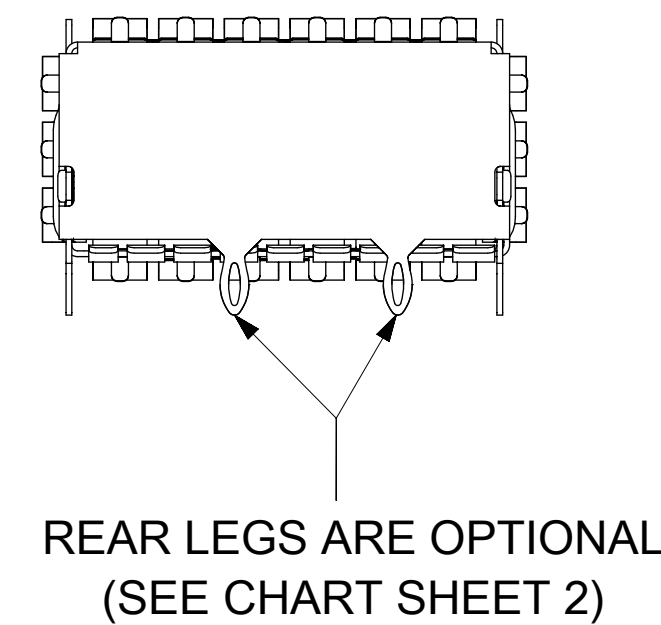
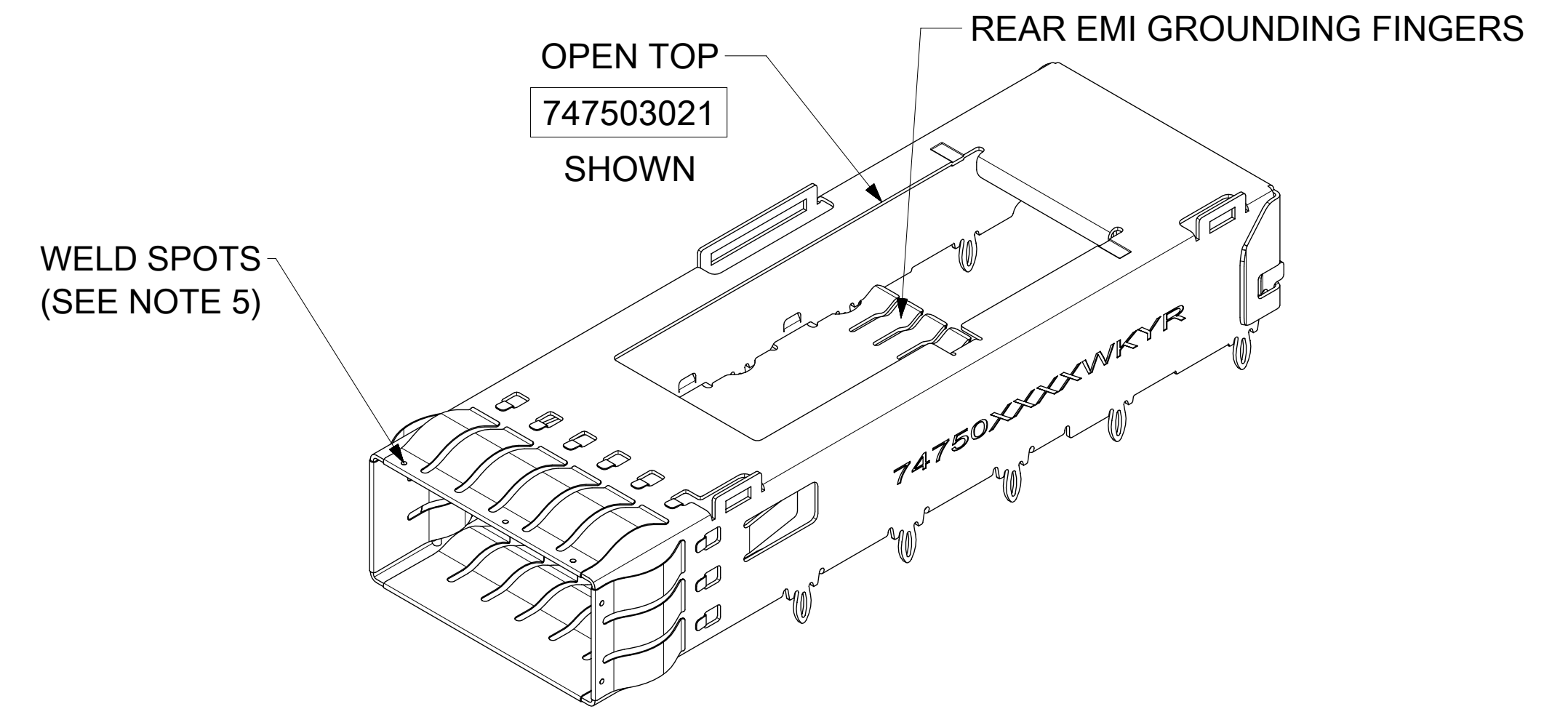
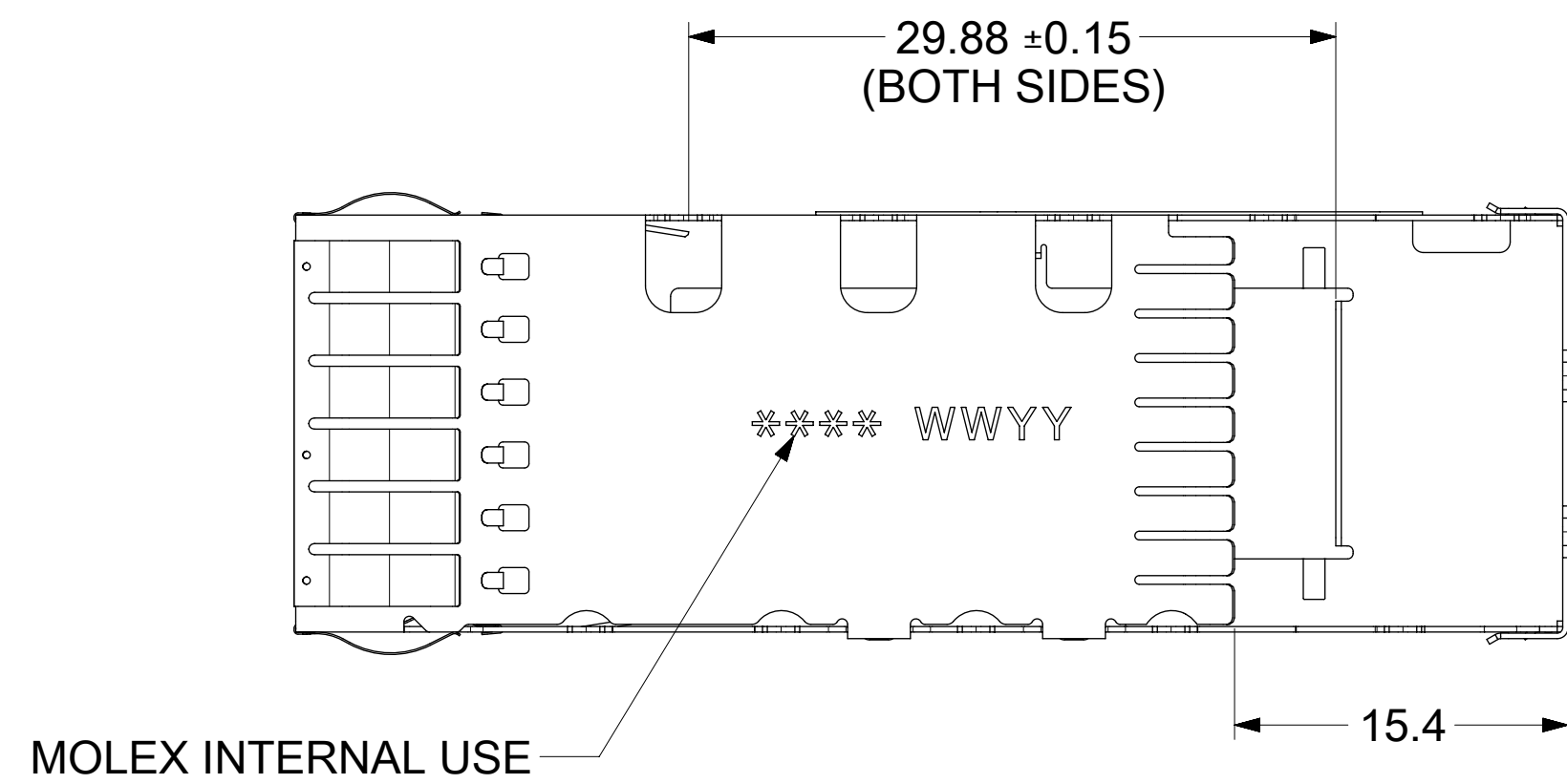
BASE CAGE DETAILS

(APPLIES TO ALL CAGES IN THIS DRAWING)



PART NO. AND WEEK/YEAR DATE CODE TO BE PRINTED ON SIDE OF COMPLETED CAGE ASSEMBLY AS SHOWN.

WEEK/YEAR DATE CODE TABLE	
WK	01 THRU 52 EXAMPLE: 01 = FIRST WEEK OF YEAR 52 = LAST WEEK OF YEAR
YR	22, 23, 24 (ETC. EXAMPLE: YEAR 2022 = 22)

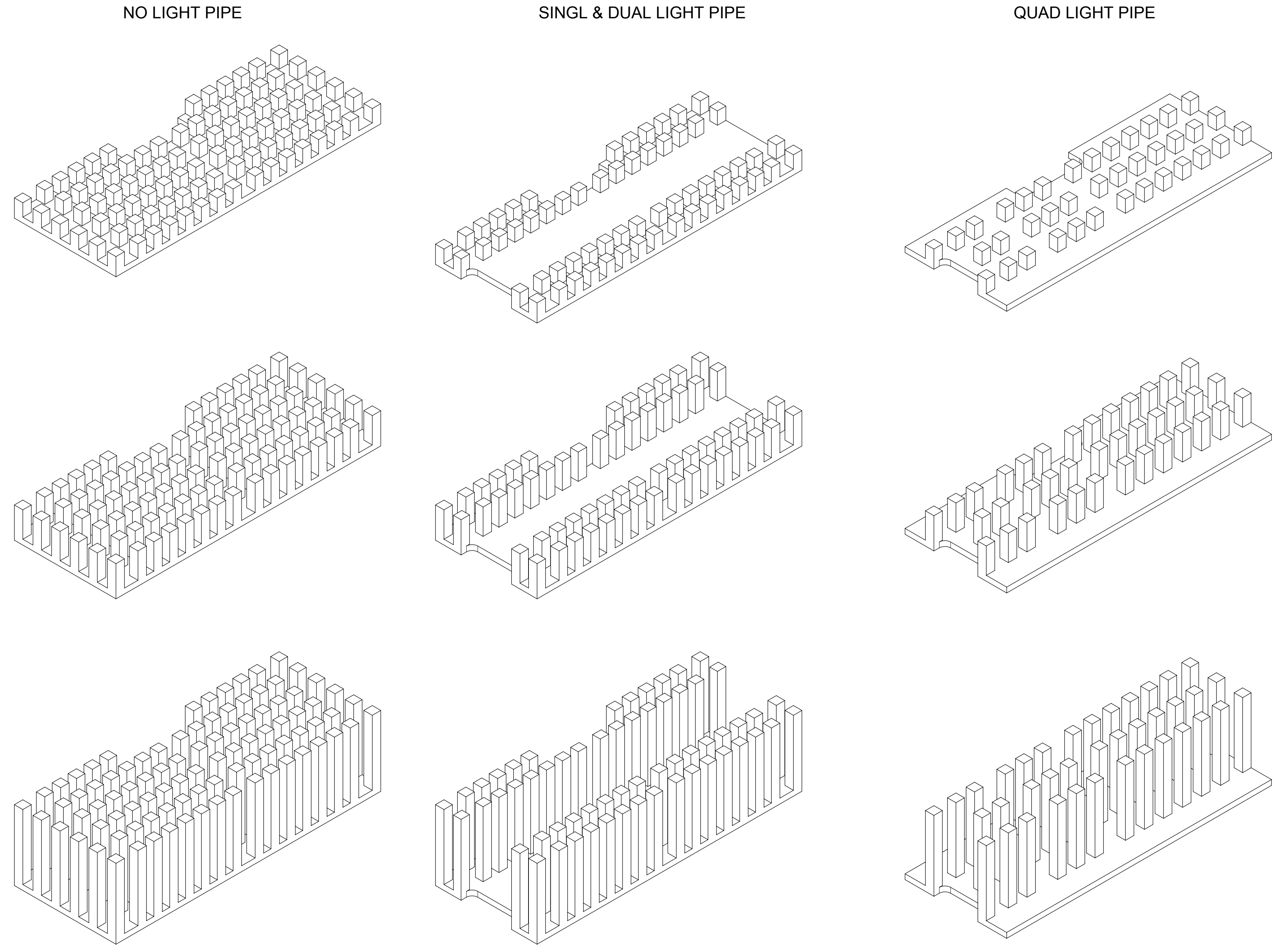
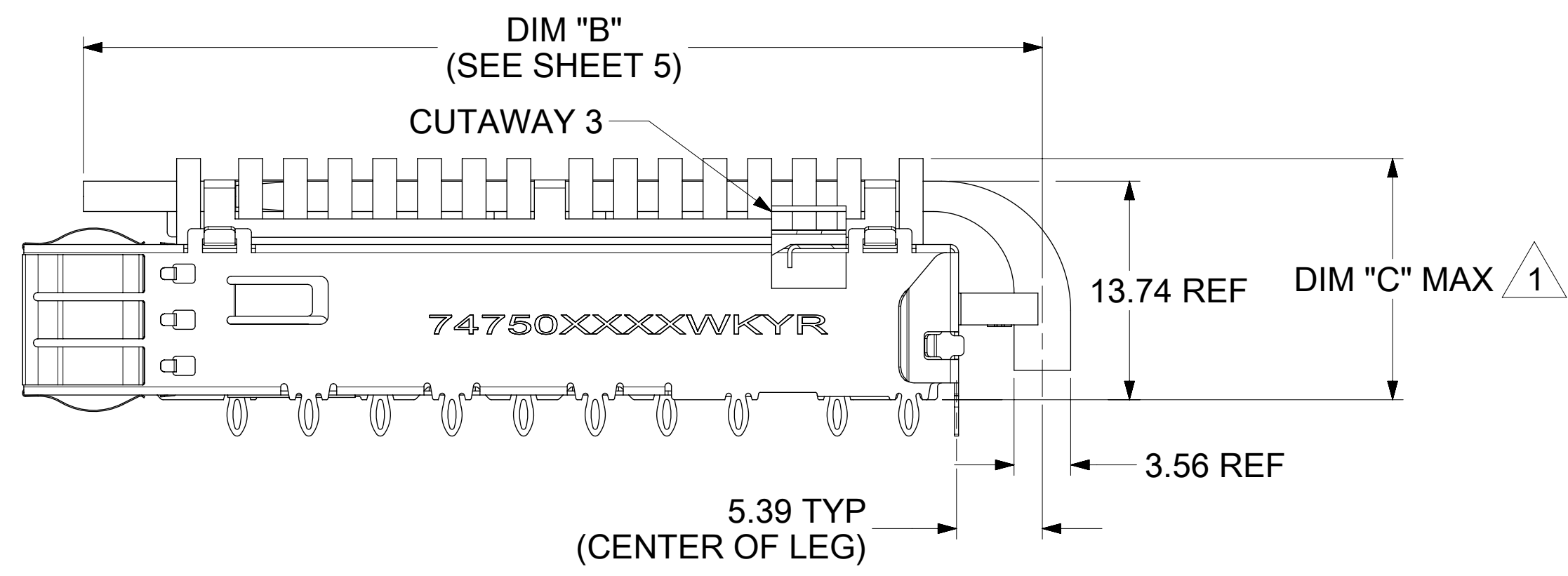


NOTES:

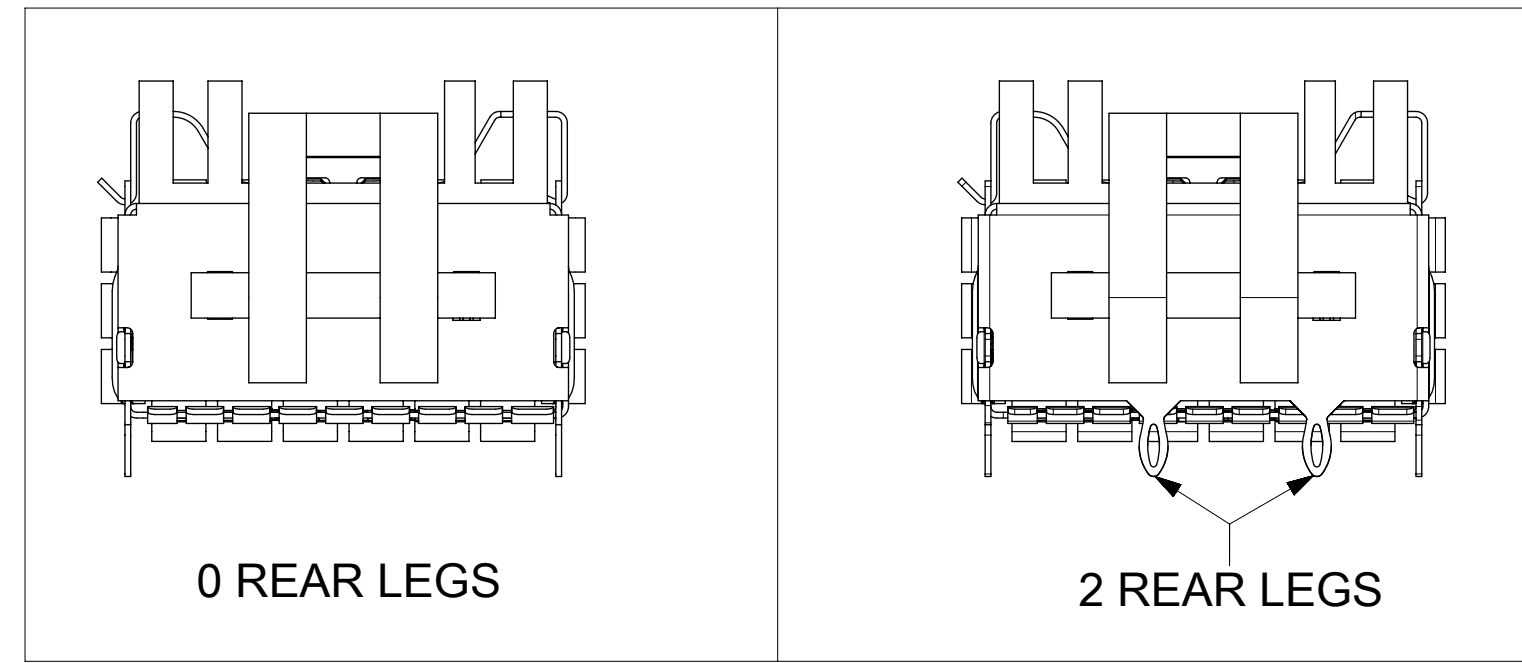
1. QSFP+ ASSEMBLIES ALSO AVAILABLE WITH 1X2 (74767 SERIES), 1X3 (74768 SERIES), 1X4 (74769 SERIES) AND 1X6 (74771 SERIES) CONFIGURATIONS.
2. MATERIAL:
 LIGHT PIPE/HEATSINK CLIP: STAINLESS STEEL
 LIGHT PIPES: POLYCARBONATE (UL 94-V-0 RATED)
 HEAT SINKS: BLACK ANNOXIDIZED ALUMINUM
 CAGE: STAINLESS STEEL
 SPRING FINGERS: STAINLESS STEEL
3. NO RoHS EXEMPTIONS
4. CUSTOM HEATSINKS AVAILABLE UPON REQUEST.
5. WELD SPOTS MAY SHOW SLIGHT MATERIAL DISCOLORATION.

FUNCTIONAL SYMBOLS $\nabla_A = 0$ $\nabla_C = 0$ $\nabla_D = 0$ DIVISIONAL SYMBOLS	THIS DRAWING CONTAINS INFORMATION THAT IS PROPRIETARY TO MOLEX ELECTRONIC TECHNOLOGIES, LLC AND SHOULD NOT BE USED WITHOUT WRITTEN PERMISSION	SCALE 4:1	CURRENT REV DESC: SEE REV TABLE.		 QSFP+ 1X1 CAGE ASSEMBLY WITH SUS TAB TYPE SPRING FINGER PRODUCT CUSTOMER DRAWING						
	DIMENSION UNITS mm	GENERAL TOLERANCES (UNLESS SPECIFIED)		EC NO: 723392							
	ANGULAR TOL $\pm 1.0^\circ$	4 PLACES \pm		DRWN: VISHNM2 2022/09/27							
	3 PLACES \pm	2 PLACES ± 0.13		CHK'D: DKUMARG 2022/10/03							
	1 PLACE ± 0.25	0 PLACES \pm		APPR: SCHIEN 2022/10/12							
DRAFT WHERE APPLICABLE MUST REMAIN WITHIN DIMENSIONS		THIRD ANGLE PROJECTION	DRAWING	SERIES	INITIAL REVISION: DRWN: CHETHH2 2022/02/17 APPR: JCHIANG 2022/03/28						
DOCUMENT STATUS	P1	RELEASE DATE	2022/10/12	10:55:32	DOCUMENT NUMBER	DOC TYPE	DOC PART	REVISION	MATERIAL NUMBER	CUSTOMER	SHEET NUMBER
					747503021	PSD	ASY	B	SEE P/N TABLE	GENERAL MARKET	1 OF 11

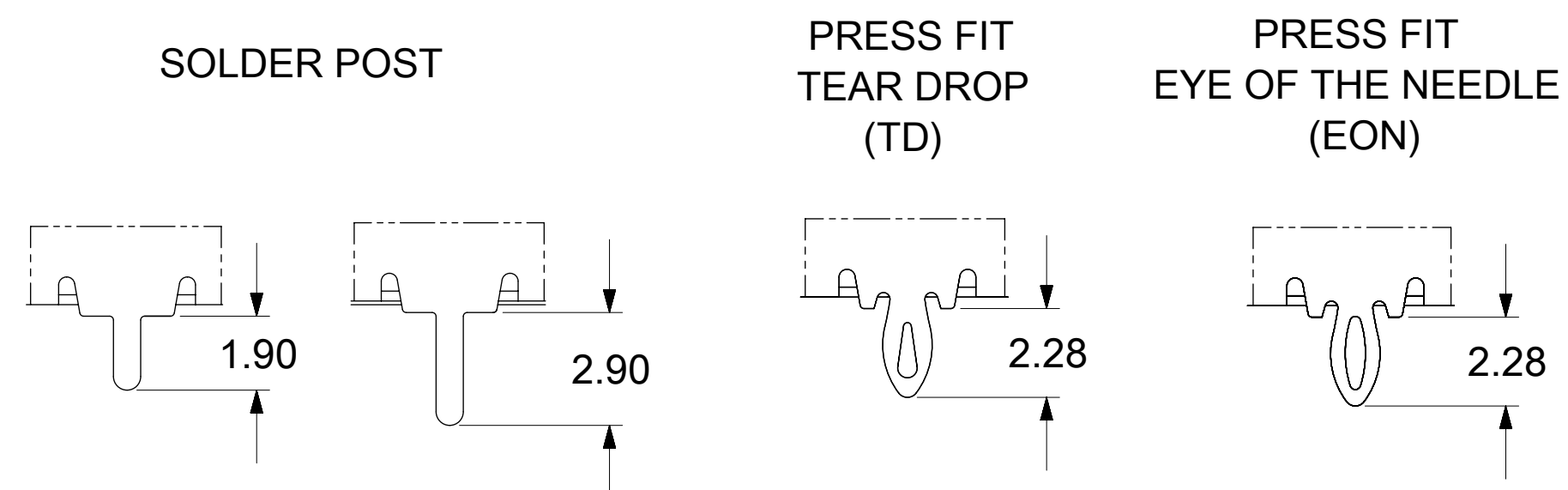
CAGE ASSEMBLY OPTIONS



REAR LEG OPTIONS



LEG OPTIONS



HEAT SINK HEIGHT OPTIONS

OVERALL HEAT SINK HEIGHT	DIM C
PCI	13.7
SAN	16.0
NET	23.0

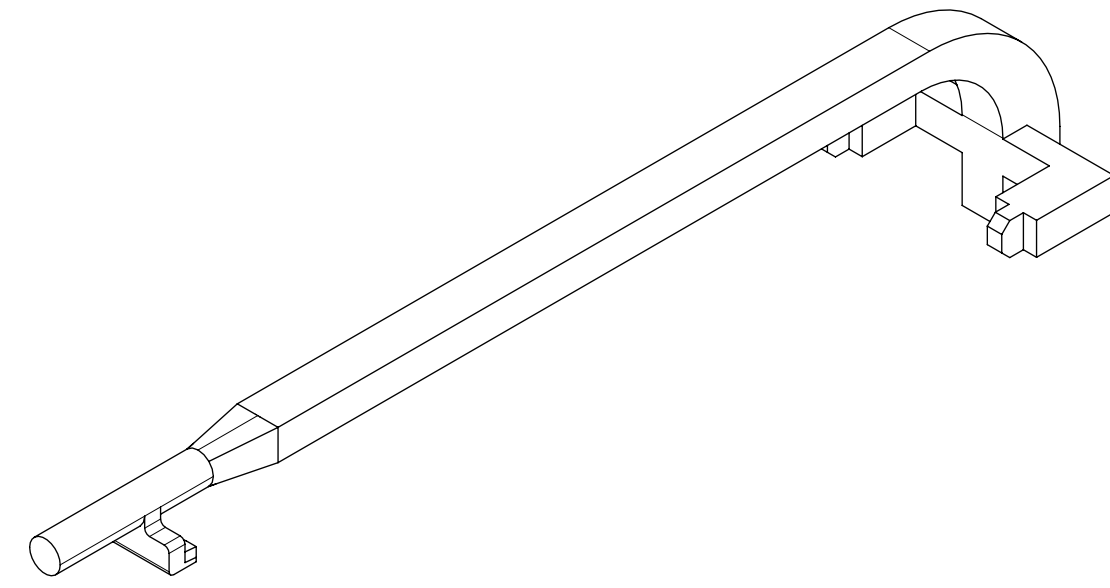
FUNCTIONAL SYMBOLS $\nabla_A = 0$ $\nabla_C = 0$ $\nabla_D = 0$	THIS DRAWING CONTAINS INFORMATION THAT IS PROPRIETARY TO MOLEX ELECTRONIC TECHNOLOGIES, LLC AND SHOULD NOT BE USED WITHOUT WRITTEN PERMISSION.		SCALE: 3:1		CURRENT REV DESC: SEE REV TABLE.		
	DIMENSION UNITS: mm		GENERAL TOLERANCES (UNLESS SPECIFIED): ANGULAR TOL $\pm 1.0^\circ$		EC NO: 723392 DRWN: VISHNM2 CHK'D: DKUMARG APPR: SCHIEN		
	DIVISIONAL SYMBOLS: 4 PLACES \pm 3 PLACES \pm 2 PLACES ± 0.13 1 PLACE ± 0.25 0 PLACES \pm		INITIAL REVISION: DRWN: CHETHH2 APPR: JCHIANG		2022/09/27 2022/10/03 2022/10/12		
DRAFT WHERE APPLICABLE MUST REMAIN WITHIN DIMENSIONS			THIRD ANGLE PROJECTION		DRAWING: D-SIZE SERIES: 74750		
DOCUMENT STATUS: P1 RELEASE DATE: 2022/10/12 10:55:32		MATERIAL NUMBER: SEE P/N TABLE		CUSTOMER: GENERAL MARKET		SHEET NUMBER: 2 OF 11	

QSFP+ 1X1 CAGE ASSEMBLY WITH SUS TAB TYPE SPRING FINGER
 PRODUCT CUSTOMER DRAWING
 DOCUMENT NUMBER: 747503021
 DOC TYPE: PSD ASY B
 REVISION:

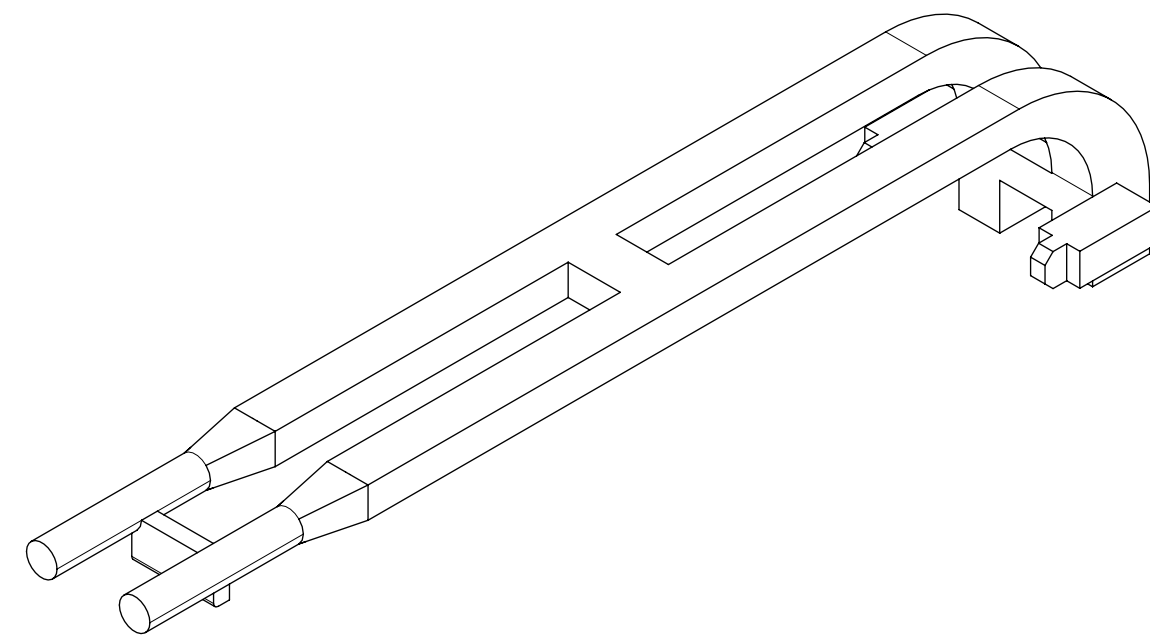
1 HEIGHT OF HEATSINK WITH MODULE INSERTED. DIMENSION MAY BE LESS DUE TO MODULE AND HEATSINK VARIATIONS.

CAGE ASSEMBLY OPTIONS (CONT.)

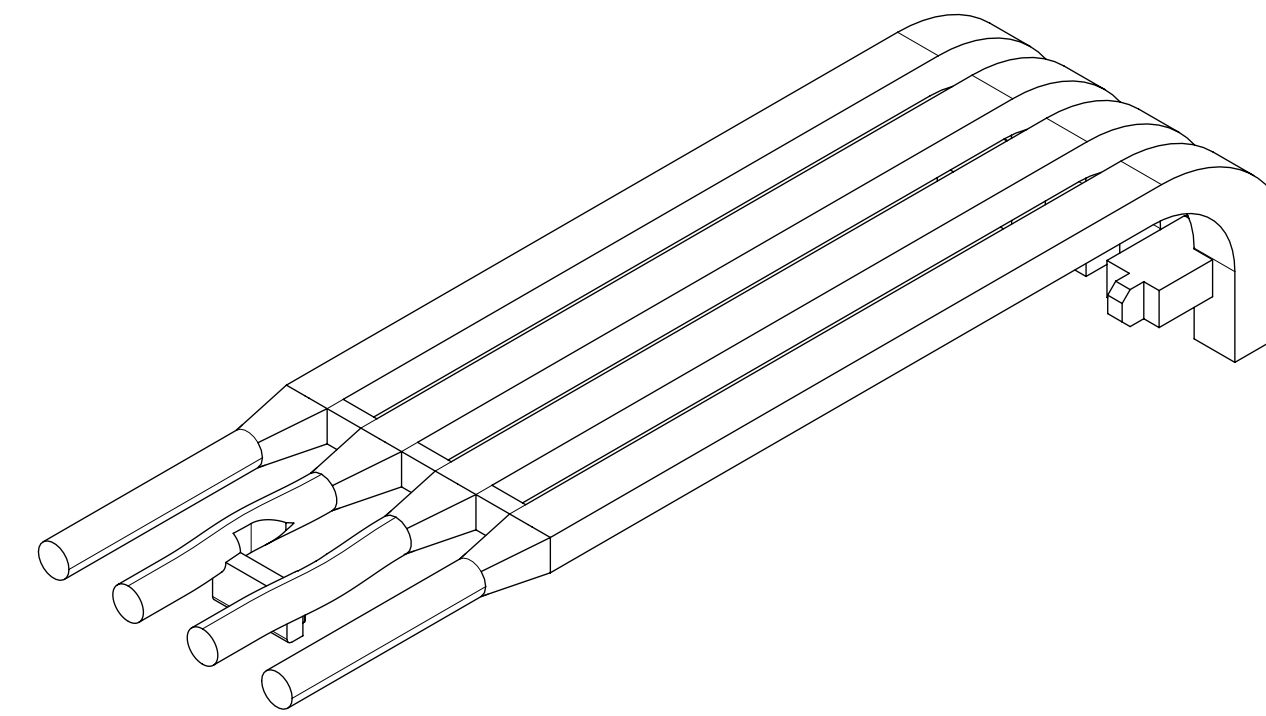
SINGLE LIGHT PIPE



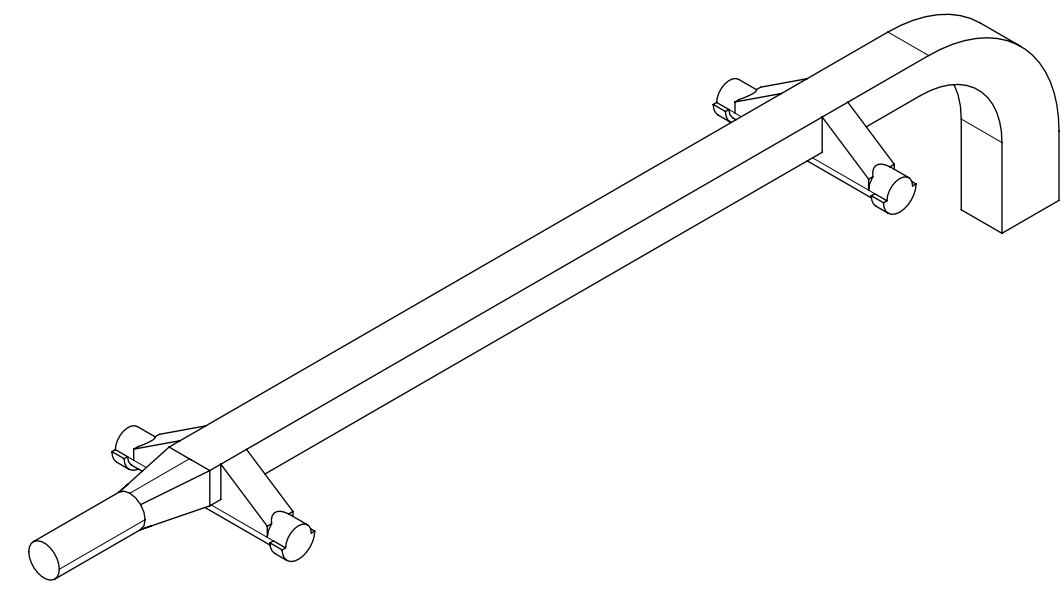
DUAL LIGHT PIPE



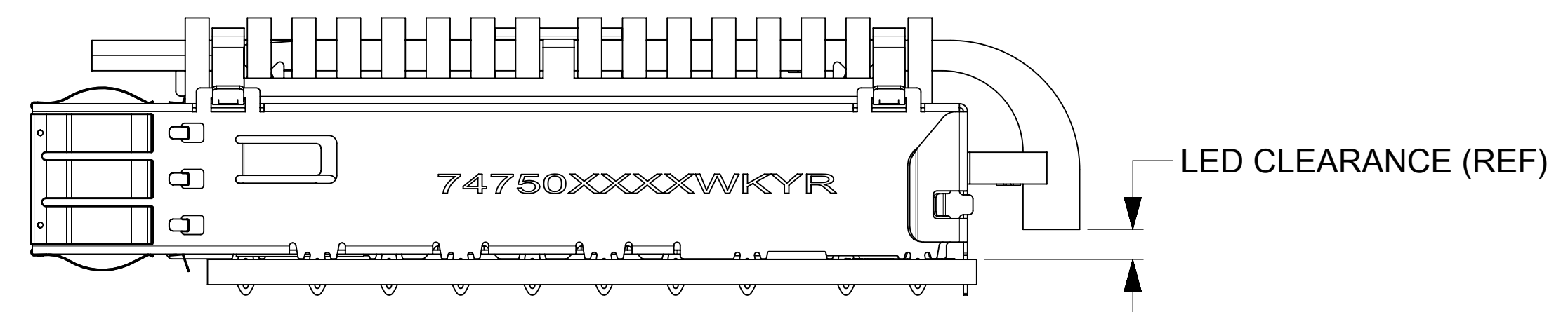
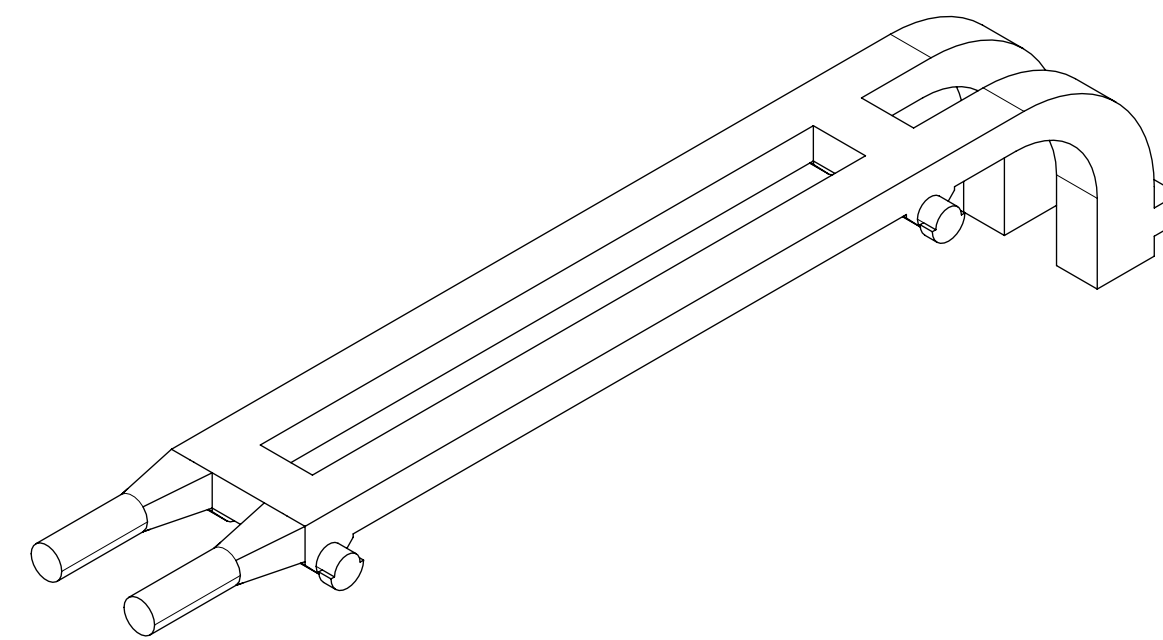
QUAD LIGHT PIPE



SINGLE LIGHT PIPE



DUAL LIGHT PIPE



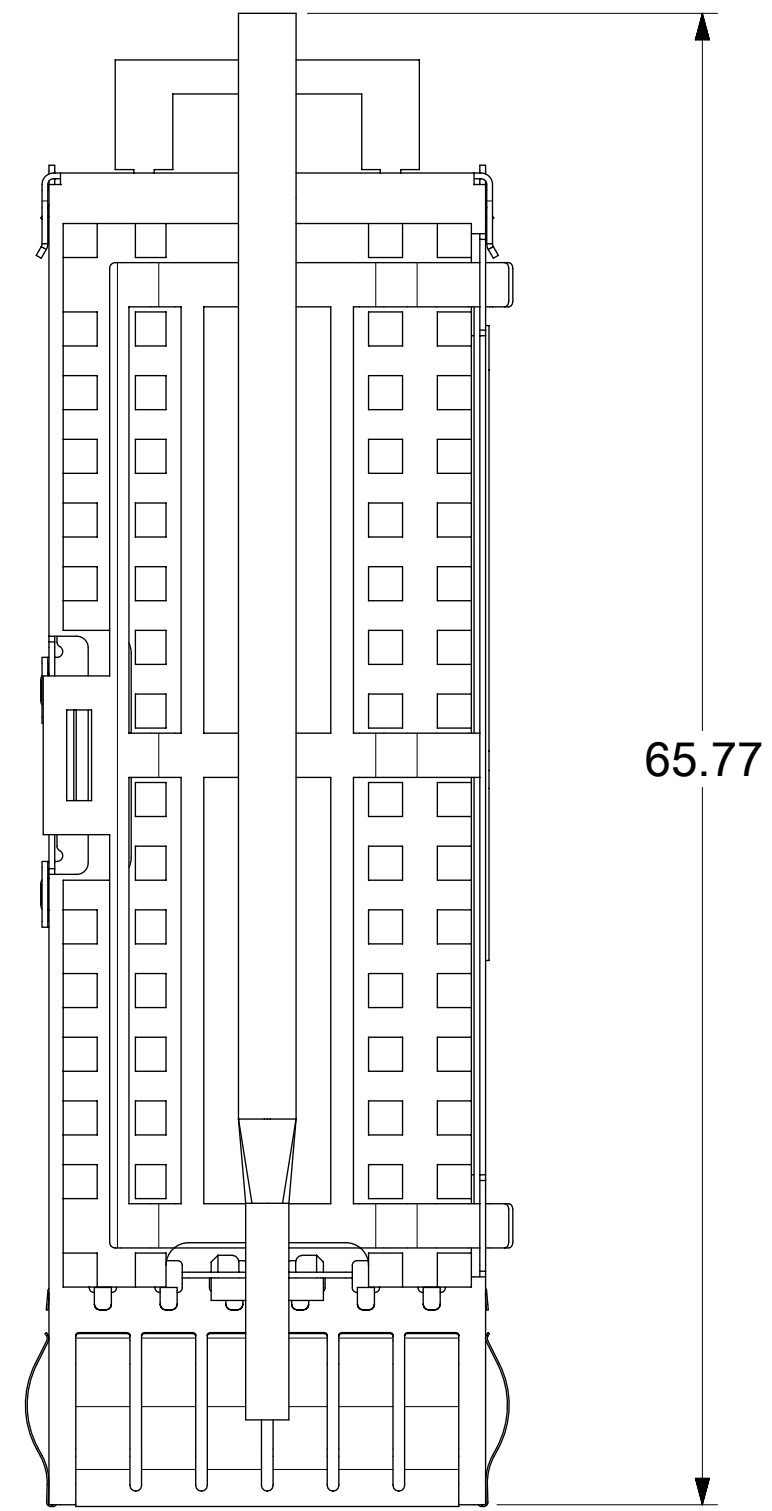
LIGHT PIPE	LED CLEARANCE (REF)
SINGLE	1.86
SINGLE	1.86
DUAL	1.86
DUAL	1.86
QUAD	1.86

FUNCTIONAL SYMBOLS $\nabla_A = 0$ $\nabla_C = 0$ $\nabla_D = 0$	THIS DRAWING CONTAINS INFORMATION THAT IS PROPRIETARY TO MOLEX ELECTRONIC TECHNOLOGIES, LLC AND SHOULD NOT BE USED WITHOUT WRITTEN PERMISSION		CURRENT REV DESC: SEE REV TABLE.						
	DIMENSION UNITS: mm SCALE: 3:1	GENERAL TOLERANCES (UNLESS SPECIFIED) ANGULAR TOL $\pm 1.0^\circ$						EC NO: 723392 DRWN: VISHNM2 2022/09/27 CHK'D: DKUMARG 2022/10/03 APPR: SCHIEN 2022/10/12	
	DIVISIONAL SYMBOLS 4 PLACES \pm 3 PLACES \pm 2 PLACES ± 0.13 1 PLACE ± 0.25 0 PLACES \pm	DRAFT WHERE APPLICABLE MUST REMAIN WITHIN DIMENSIONS		THIRD ANGLE PROJECTION 		DRAWING: D-SIZE SERIES: 74750		INITIAL REVISION: DRWN: CHETHH2 2022/02/17 APPR: JCHIANG 2022/03/28	
	PRODUCT CUSTOMER DRAWING		DOCUMENT NUMBER: 747503021	DOC TYPE: PSD	DOC PART: ASY	REVISION: B	MATERIAL NUMBER: SEE P/N TABLE		CUSTOMER: GENERAL MARKET

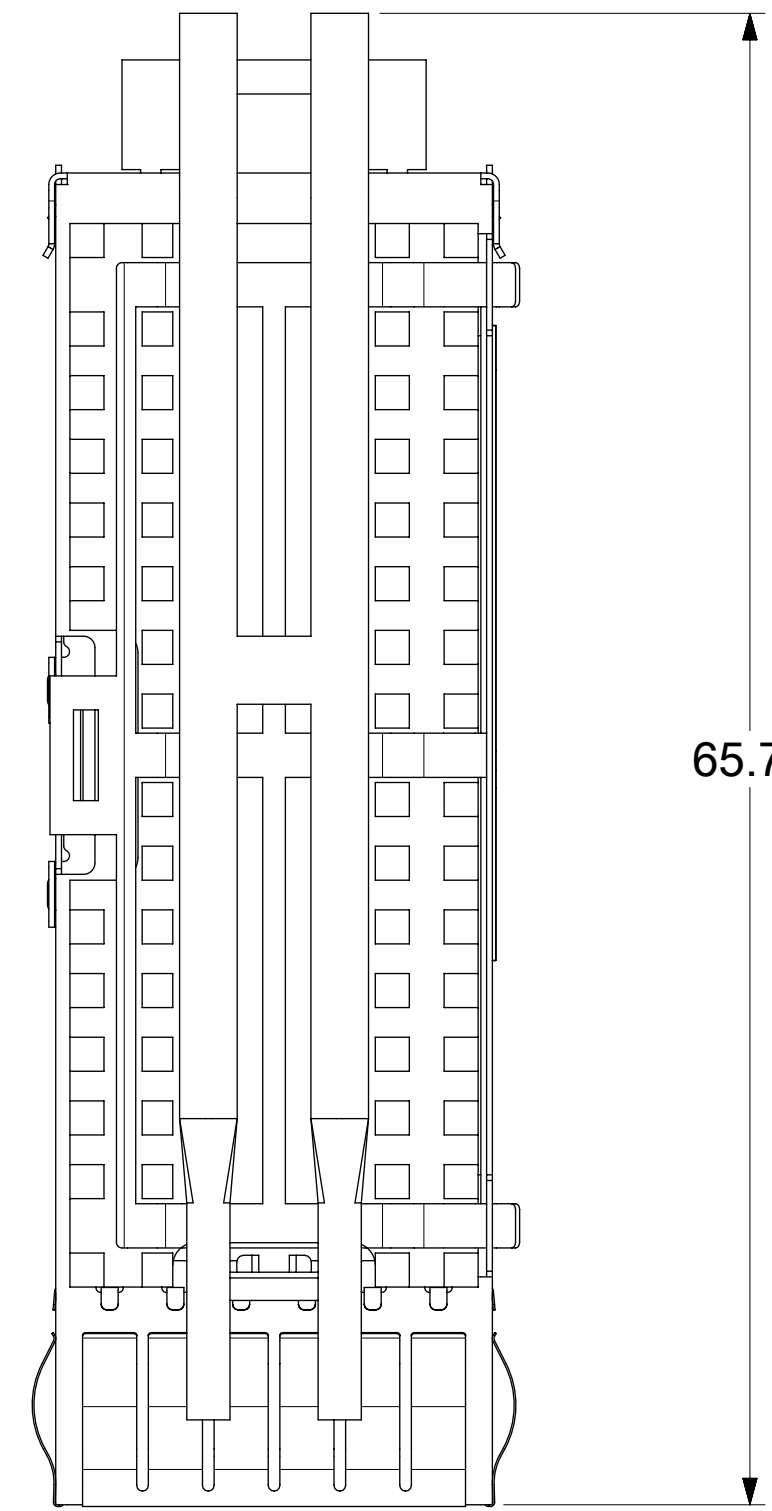
NOTE:
1) FOR HEATSINK OPTIONS SEE SHEET 2.

DOCUMENT STATUS	P1	RELEASE DATE	2022/10/12	10:55:32
-----------------	----	--------------	------------	----------

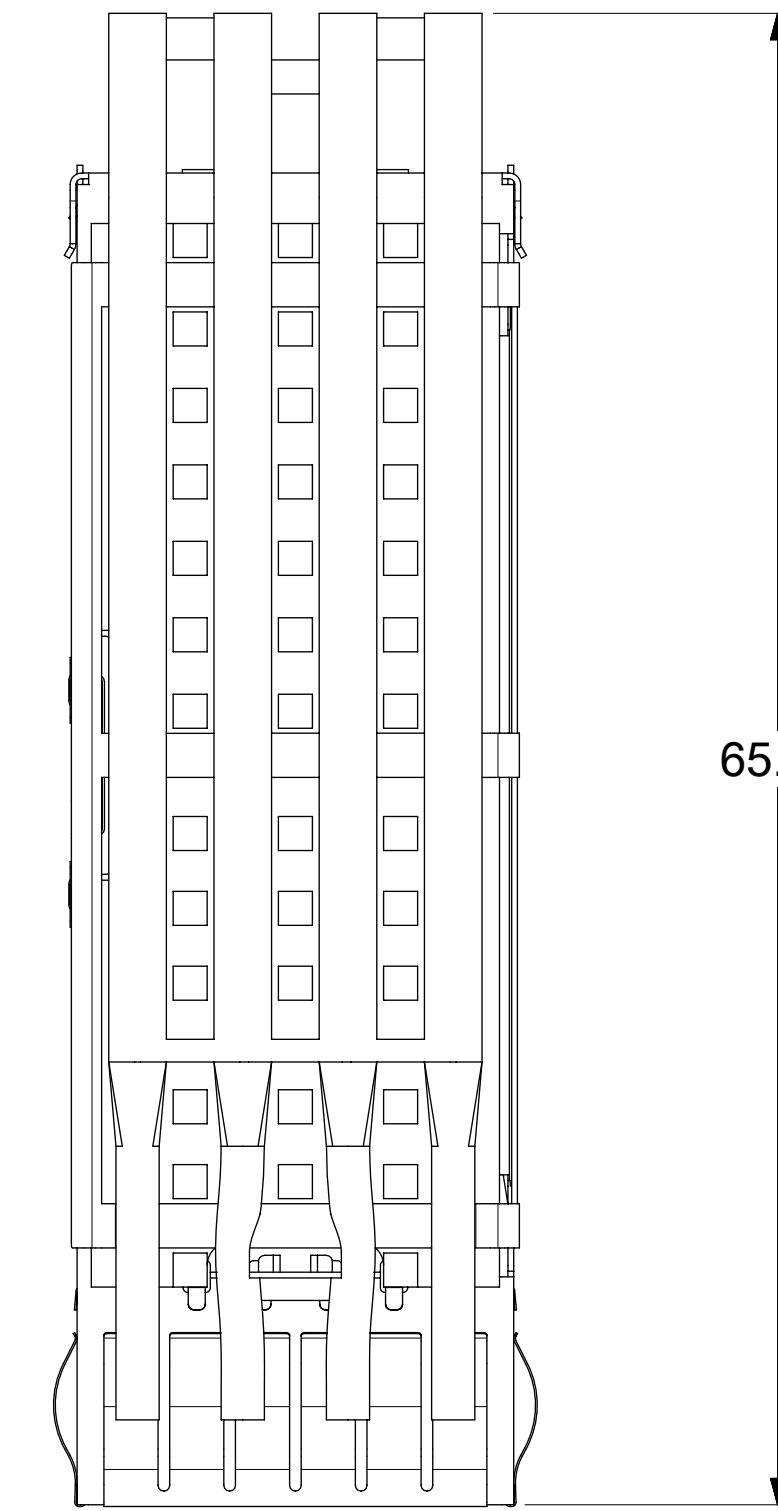
CAGE ASSEMBLY OPTIONS (CONT.)



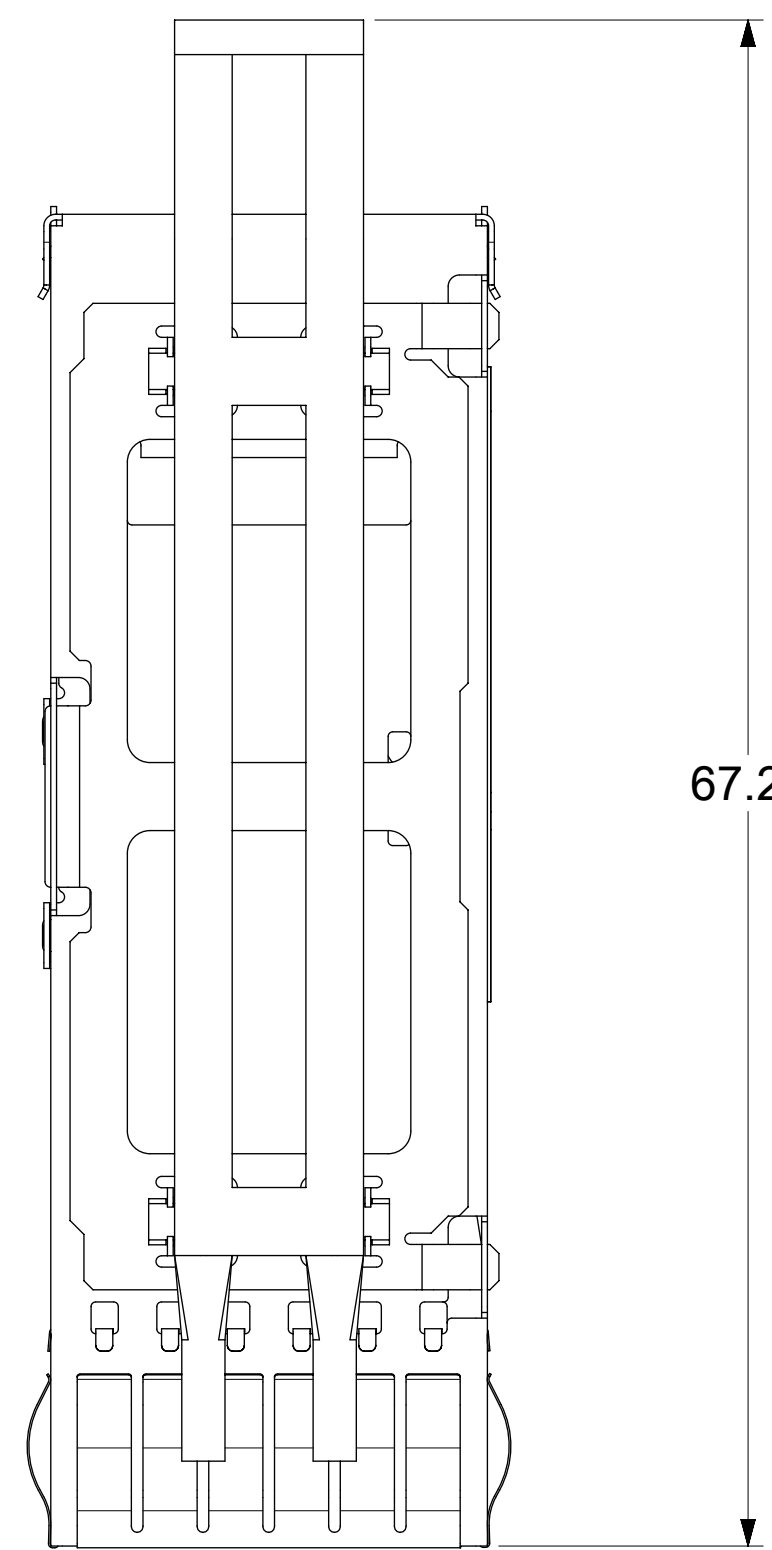
65.77



65.77



65.77



67.29

FUNCTIONAL SYMBOLS	THIS DRAWING CONTAINS INFORMATION THAT IS PROPRIETARY TO MOLEX ELECTRONIC TECHNOLOGIES, LLC AND SHOULD NOT BE USED WITHOUT WRITTEN PERMISSION		
	DIMENSION UNITS	SCALE	CURRENT REV DESC: SEE REV TABLE.
$\nabla_A = 0$	mm	3:1	
$\nabla_C = 0$	GENERAL TOLERANCES (UNLESS SPECIFIED)		
$\nabla_D = 0$	ANGULAR TOL $\pm 1.0^\circ$		
DIVISIONAL SYMBOLS	4 PLACES	\pm	EC NO: 723392
	3 PLACES	\pm	DRWN: VISHNM2 2022/09/27
	2 PLACES	± 0.13	CHK'D: DKUMARG 2022/10/03
	1 PLACE	± 0.25	APPR: SCHIEN 2022/10/12
	0 PLACES	\pm	INITIAL REVISION: DRWN: CHETHH2 2022/02/17 APPR: JCHIANG 2022/03/28
DRAFT WHERE APPLICABLE MUST REMAIN WITHIN DIMENSIONS		THIRD ANGLE PROJECTION	DRAWING SERIES MATERIAL NUMBER CUSTOMER SHEET NUMBER
			D-SIZE 74750 SEE P/N TABLE GENERAL MARKET 4 OF 11

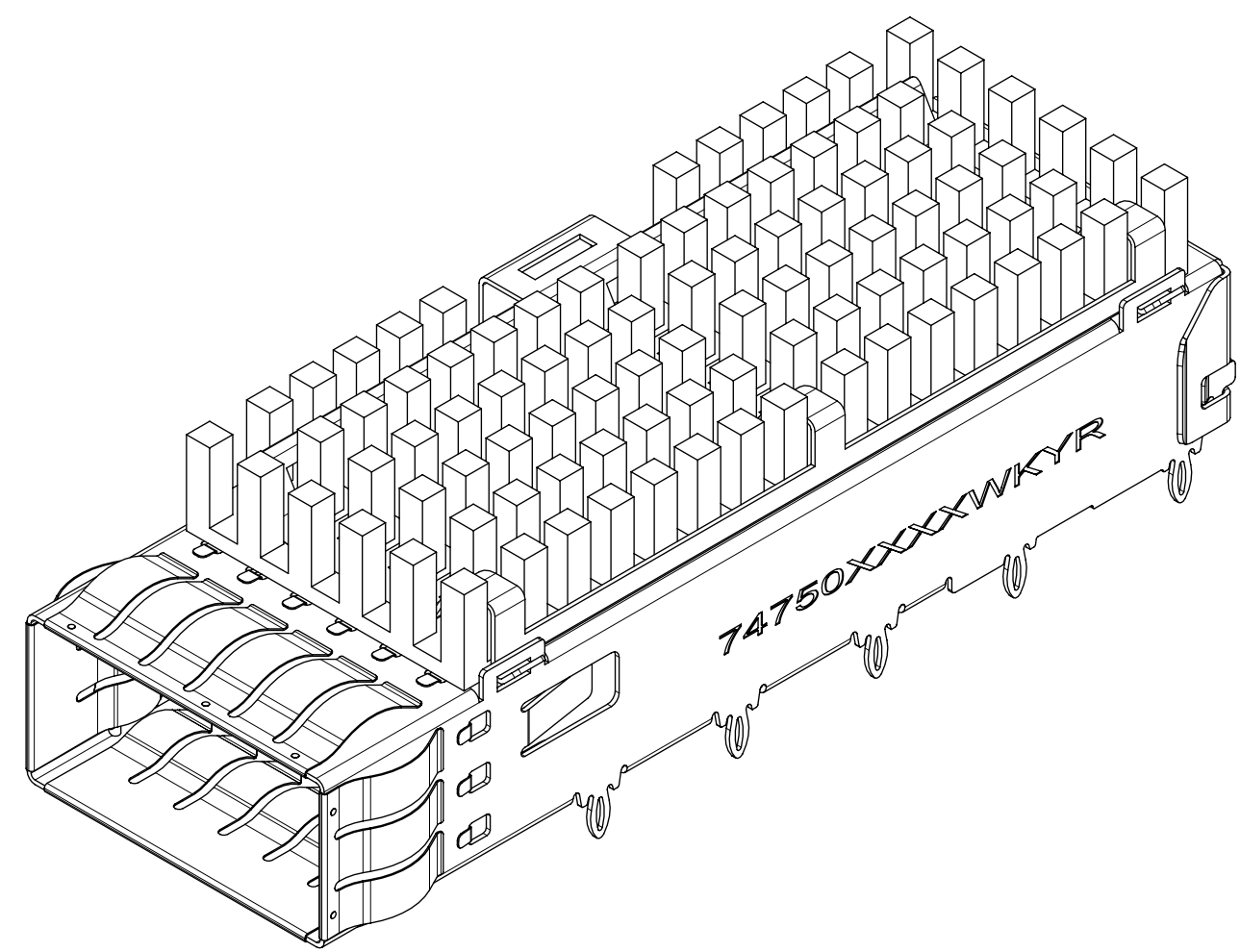
molex

QSFP+ 1X1 CAGE ASSEMBLY WITH SUS TAB TYPE SPRING FINGER

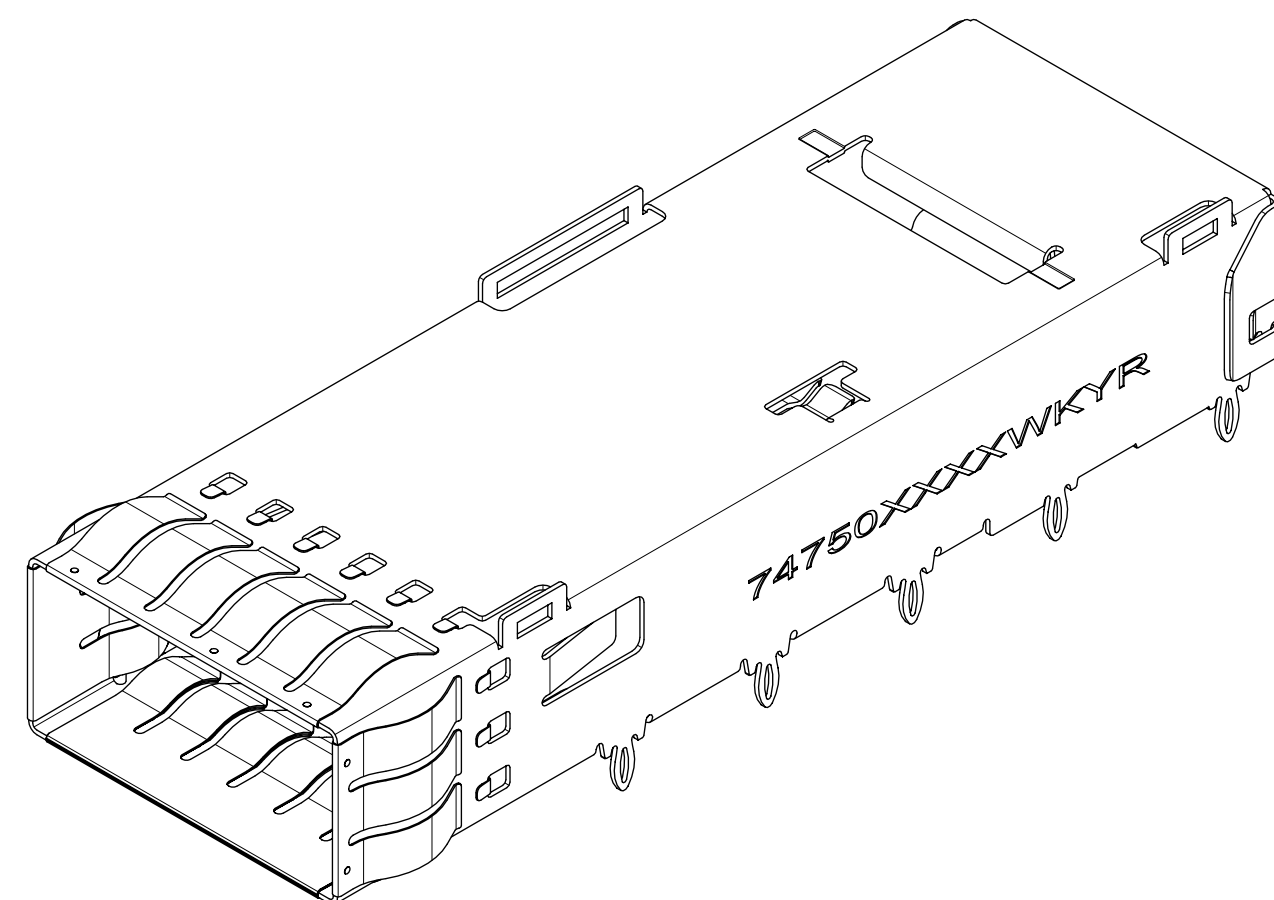
PRODUCT CUSTOMER DRAWING

DOCUMENT NUMBER	DOC TYPE	DOC PART	REVISION
747503021	PSD	ASY	B

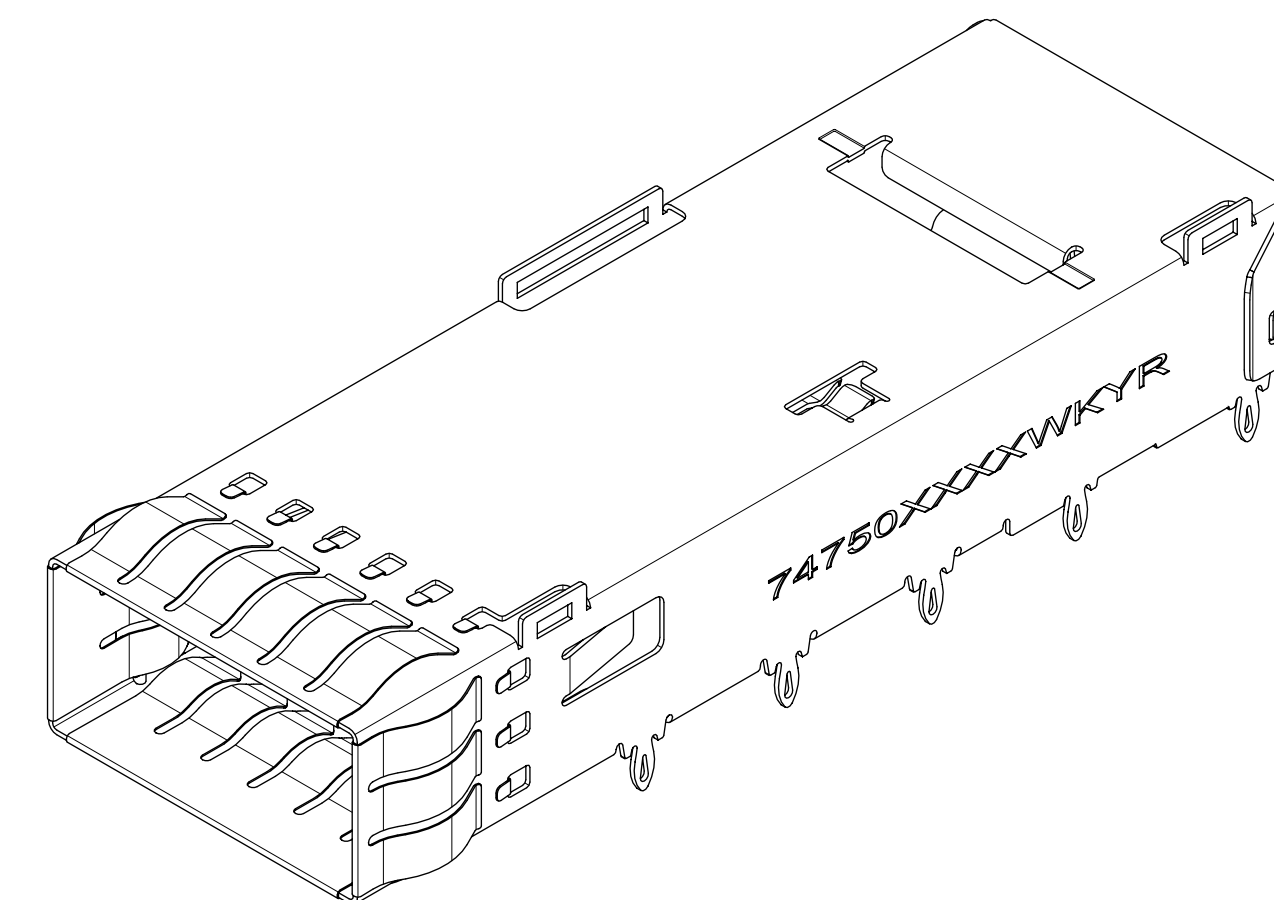
PART NUMBER SELECTION



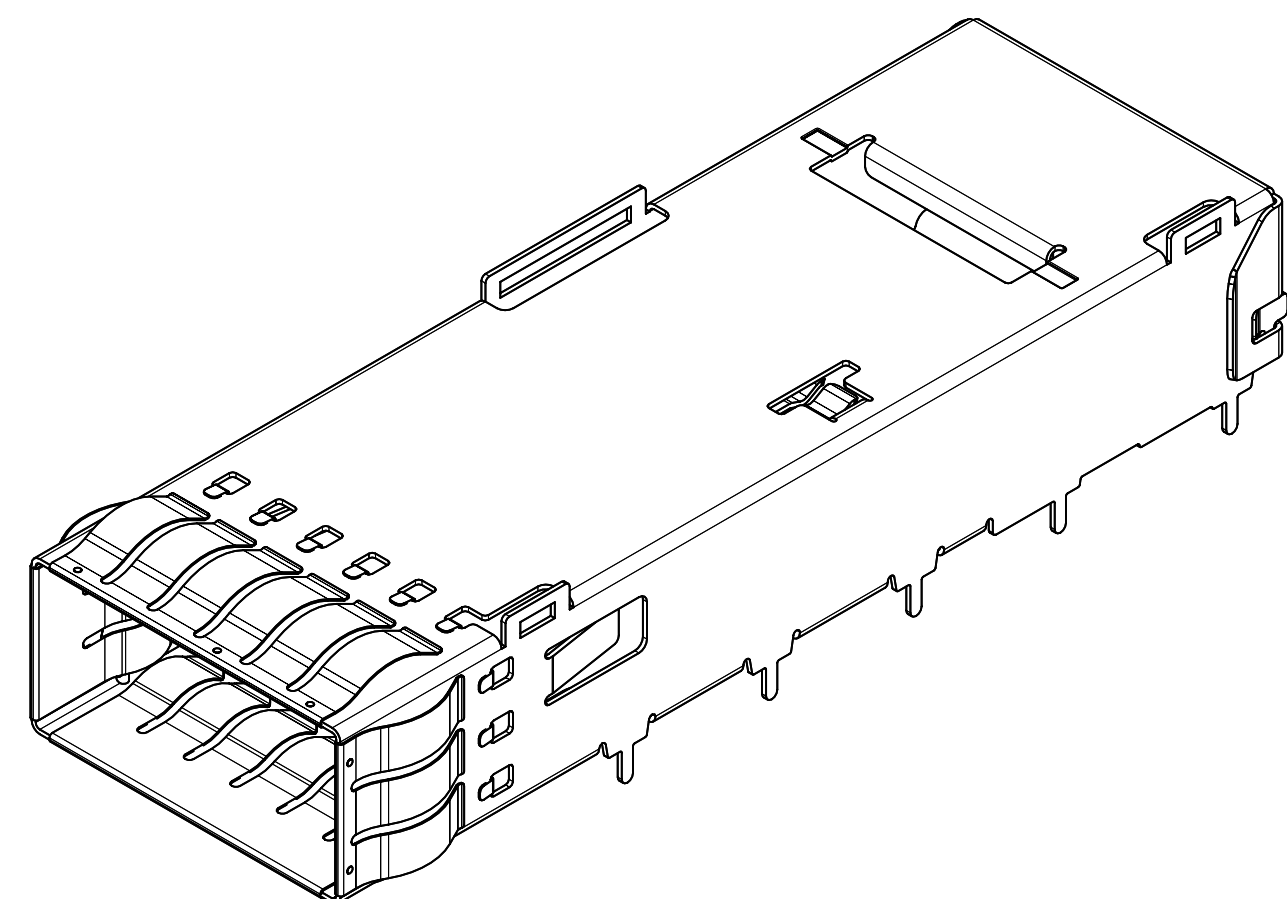
MOLEX P/N	HS	# OF REAR LEGS PER PORT	LEG TYPE	DIM "A"	PLATING
747503040	SAN	2	PRESS FIT-EON	2.28	NICKEL
747503044	PCI	2	PRESS FIT-EON	2.28	NICKEL
747503046	NET	2	PRESS FIT-EON	2.28	NICKEL



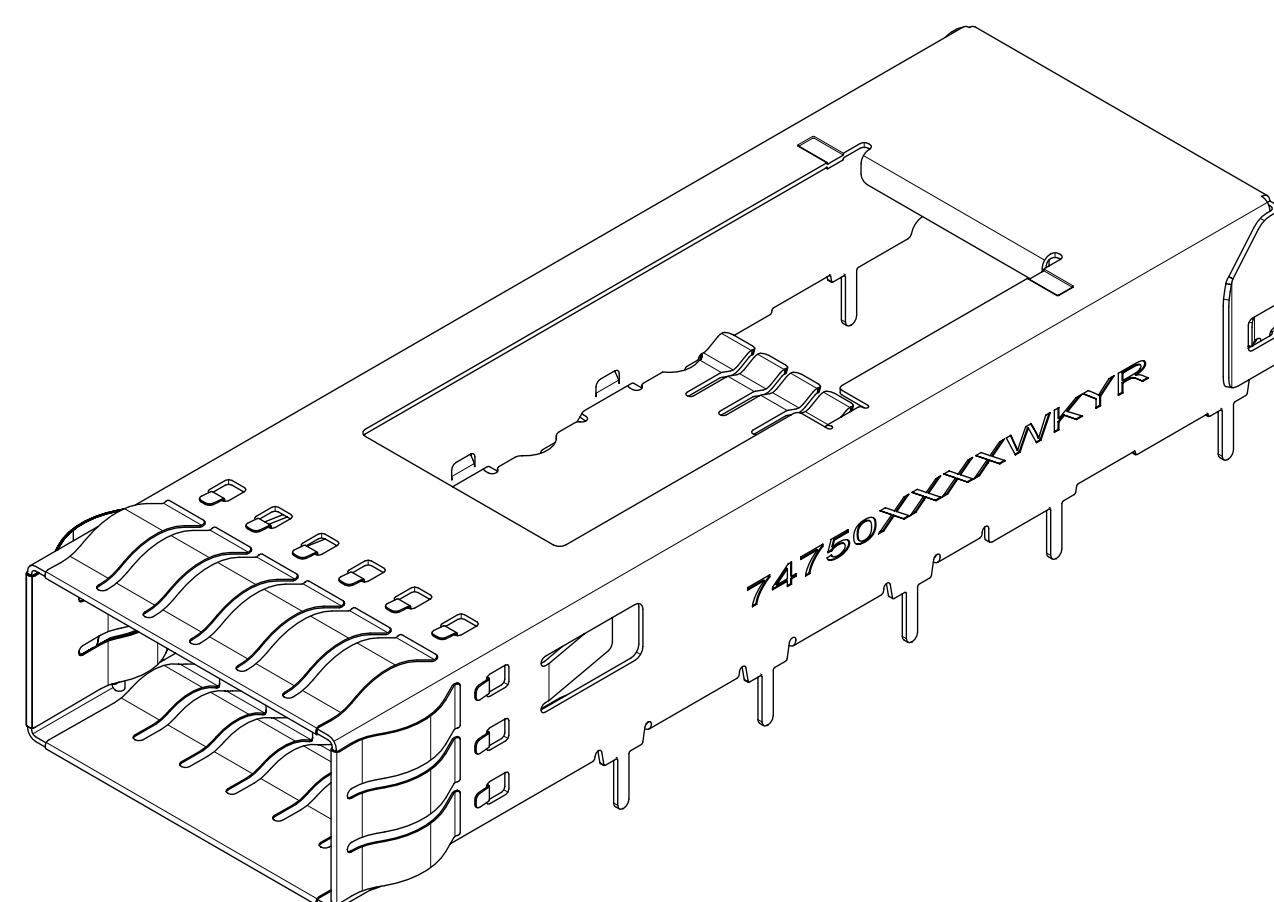
MOLEX P/N	# OF REAR LEGS PER PORT	LEG TYPE	DIM "A"	PLATING
747503024	2	PRESS FIT-EON	2.28	NICKEL



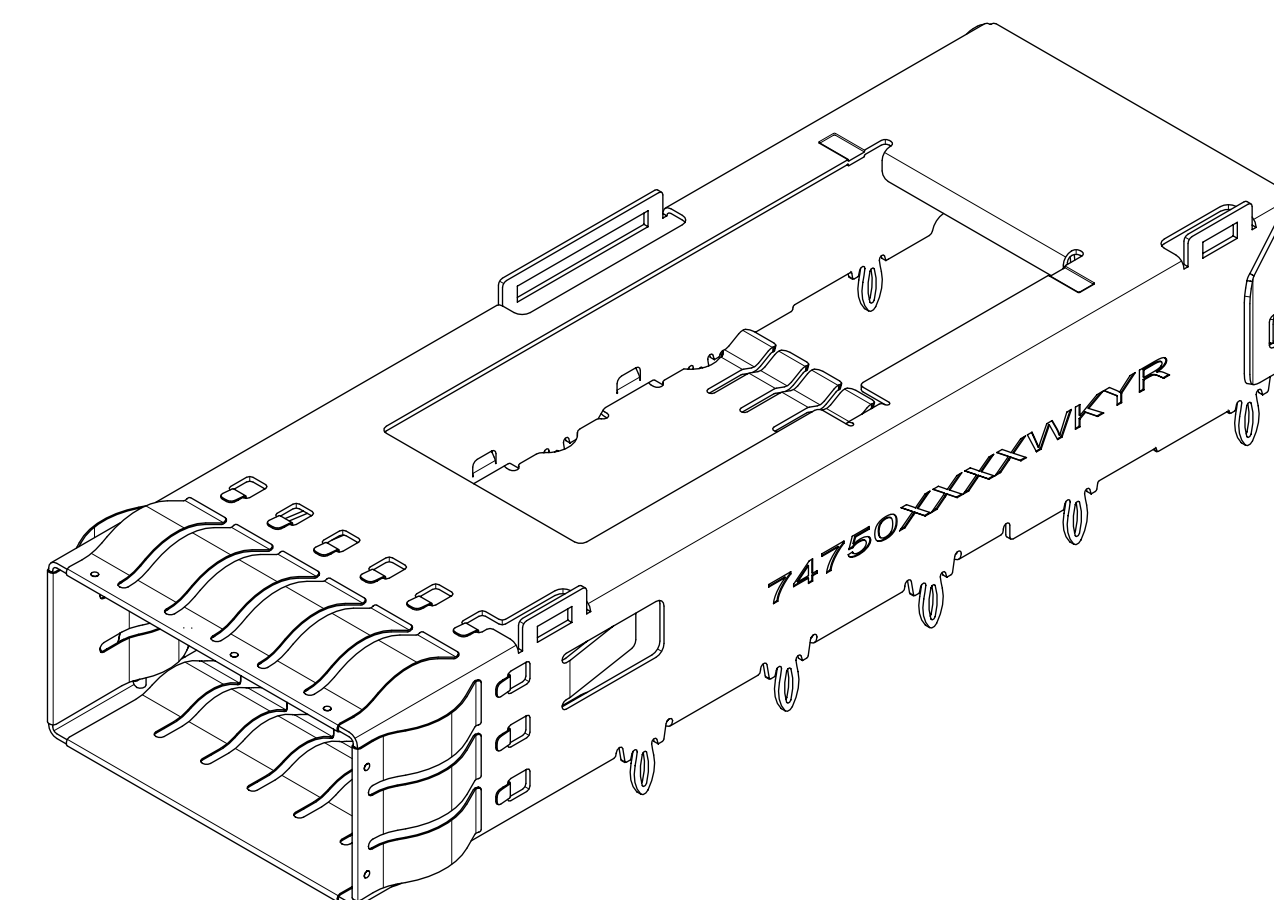
MOLEX P/N	# OF REAR LEGS PER PORT	LEG TYPE	DIM "A"	PLATING
747503102	2	PRESS FIT-TD	2.28	NICKEL



MOLEX P/N	# OF REAR LEGS PER PORT	LEG TYPE	DIM "A"	PLATING
747503051	2	SOLDER POST	1.90	NICKEL



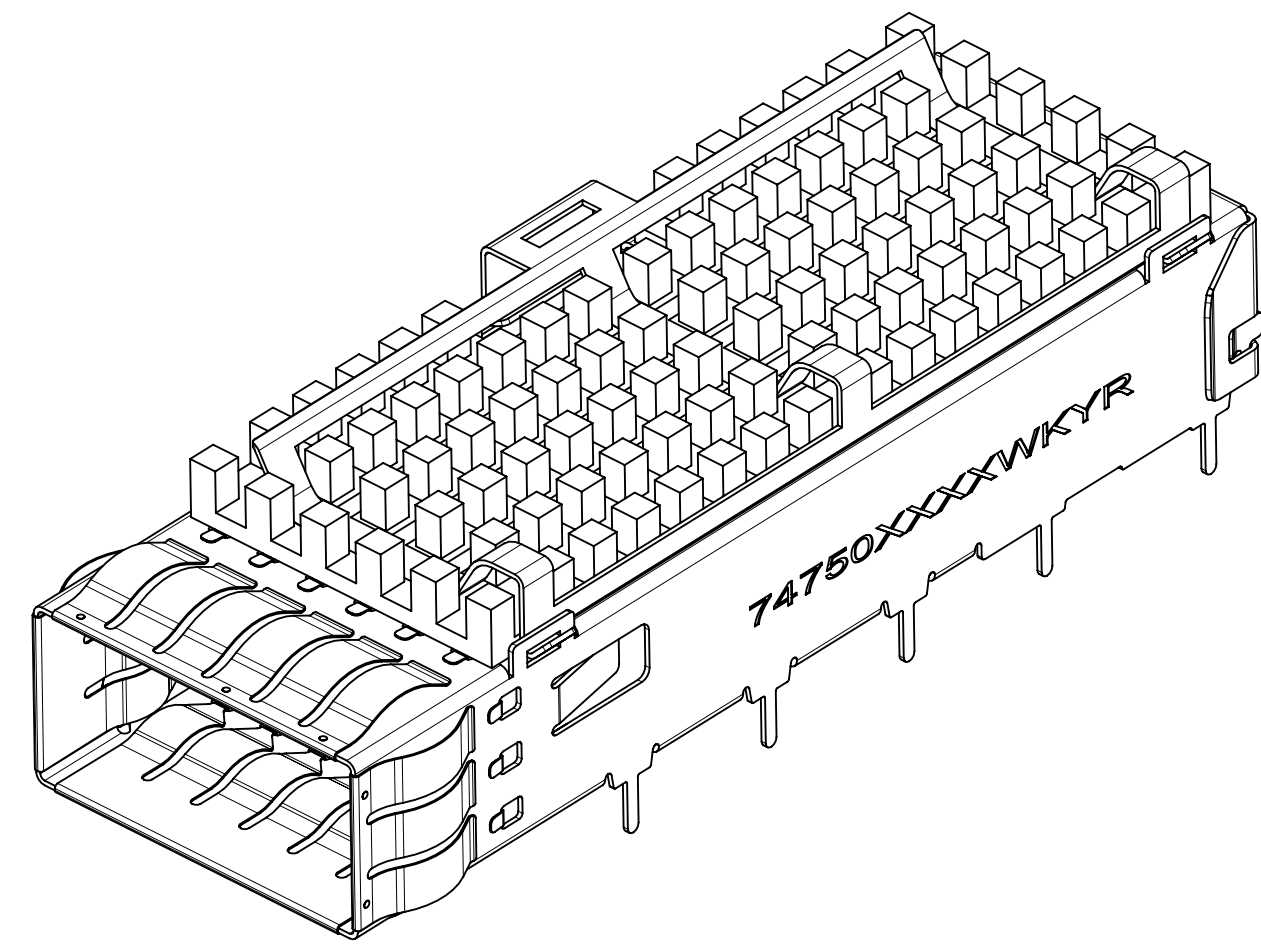
MOLEX P/N	# OF REAR LEGS PER PORT	LEG TYPE	DIM "A"	PLATING
747503062	2	SOLDER POST	2.90	NICKEL



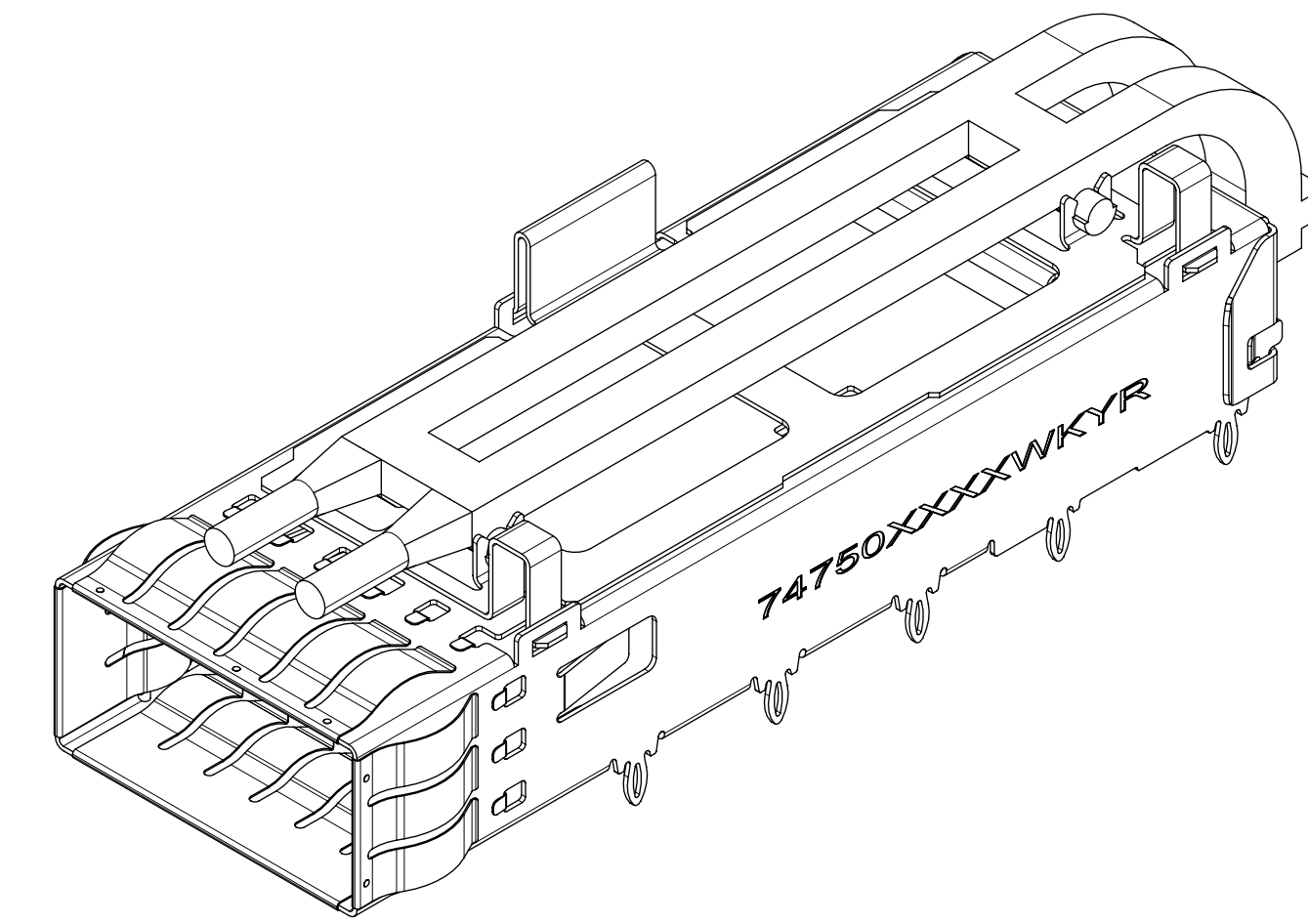
MOLEX P/N	# OF REAR LEGS PER PORT	LEG TYPE	DIM "A"	PLATING
747503021	2	PRESS FIT-EON	2.28	NICKEL
747503023	0	PRESS FIT-EON	2.28	NICKEL

FUNCTIONAL SYMBOLS FA = 0 FE = 0 FP = 0 DIVISIONAL SYMBOLS	THIS DRAWING CONTAINS INFORMATION THAT IS PROPRIETARY TO MOLEX ELECTRONIC TECHNOLOGIES, LLC AND SHOULD NOT BE USED WITHOUT WRITTEN PERMISSION		DIMENSION UNITS: mm		SCALE: 3:1		CURRENT REV DESC: SEE REV TABLE.										
	GENERAL TOLERANCES (UNLESS SPECIFIED)		ANGULAR TOL ± 1.0°		4 PLACES ±		EC NO: 723392						DRWN: VISHNM2 2022/09/27				
	3 PLACES ±		2 PLACES ± 0.13		1 PLACE ± 0.25		0 PLACES ±		CHK'D: DKUMARG 2022/10/03		APPR: SCHIEN 2022/10/12		INITIAL REVISION:				
	DRAFT WHERE APPLICABLE MUST REMAIN WITHIN DIMENSIONS		THIRD ANGLE PROJECTION		DRAWING: D-SIZE		SERIES: 74750		DRWN: CHETHH2 2022/02/17		APPR: JCHIANG 2022/03/28		MATERIAL NUMBER: 747503021		CUSTOMER: GENERAL MARKET		SHEET NUMBER: 5 OF 11

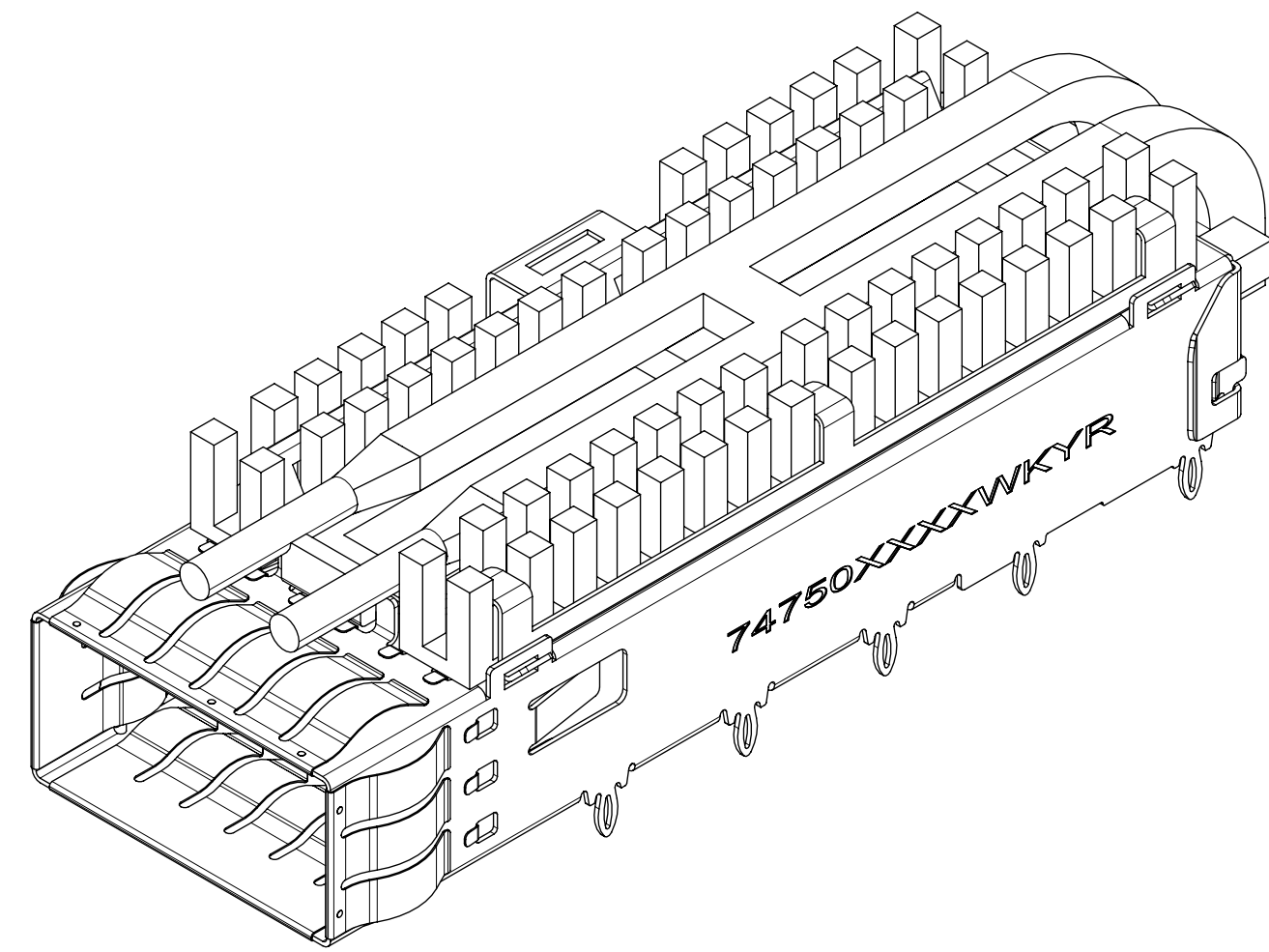
PART NUMBER SELECTION (CONT)



MOLEX P/N	HS	# OF REAR LEGS PER PORT	LEG TYPE	DIM "A"	PLATING
747503057	PCI	2	SOLDER POST	2.90	NICKEL



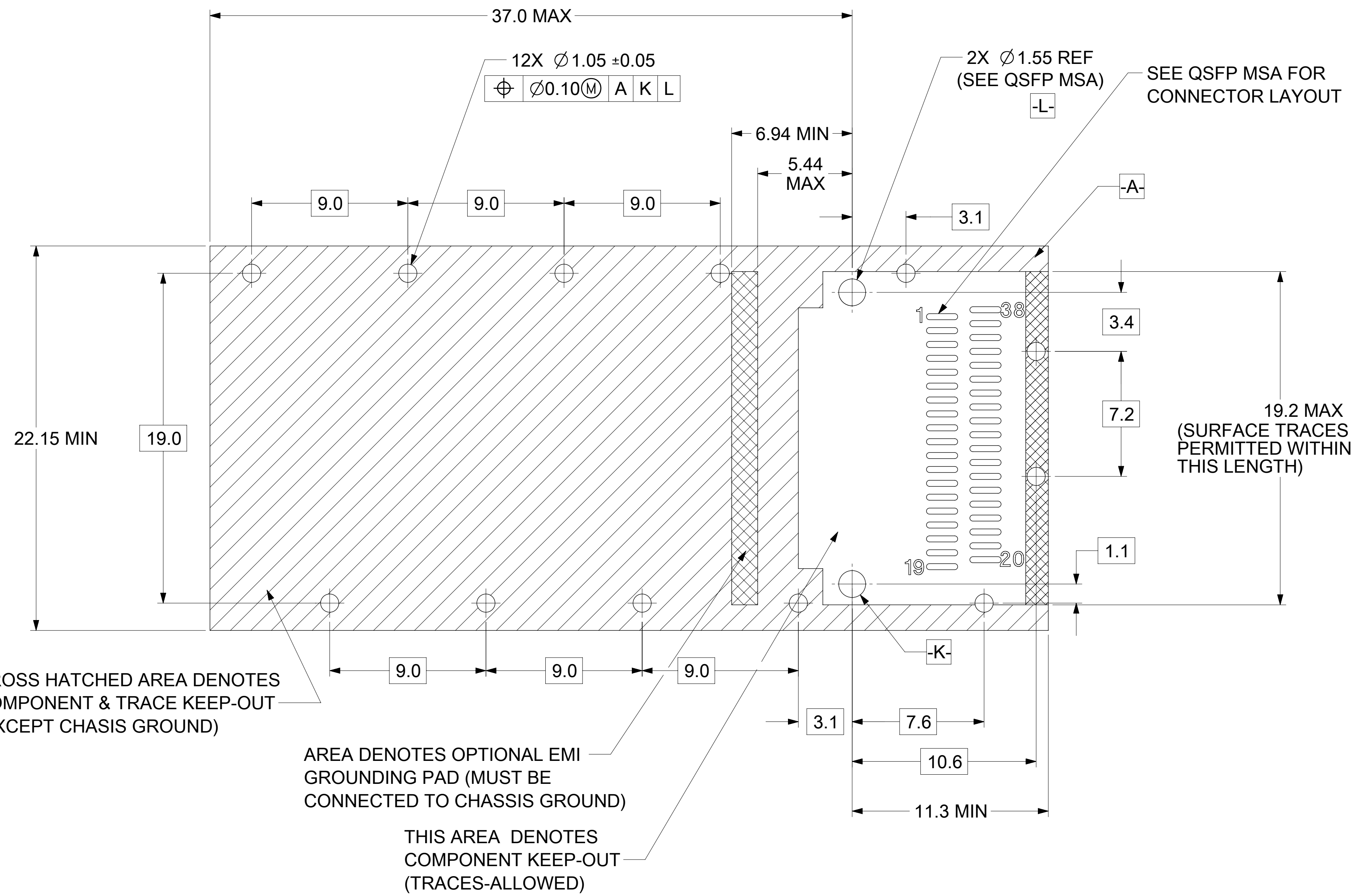
MOLEX P/N	MOLEX CAGE W/O HS ASSEMBLY P/N	LIGHT PIPE ASSEMBLY P/N	TIP STYLE	# OF REAR LEGS PER PORT	LEG TYPE	DIM "A"	DIM "B"	PLATING
747503586	747503024	747500031	ROUND	2	PRESS FIT-EON	2.28	60.25	NICKEL



MOLEX P/N	MOLEX CAGE W/O HS ASSEMBLY P/N	LP SINGLE(747500403) DUAL(747500404)	TIP STYLE	HS	# OF REAR LEGS PER PORT	LEG TYPE	DIM "A"	DIM "B"	PLATING
747503082	747500092	DUAL	ROUND	SAN	2	PRESS FIT-EON	2.28	60.25	NICKEL
747503083	747500092	DUAL	ROUND	NET	2	PRESS FIT-EON	2.28	60.25	NICKEL
747503088	N/A	DUAL	ROUND	NET	2	PRESS FIT-TD	2.28	60.25	NICKEL

FUNCTIONAL SYMBOLS $\nabla_A = 0$ $\nabla_C = 0$ $\nabla_D = 0$ DIVISIONAL SYMBOLS	THIS DRAWING CONTAINS INFORMATION THAT IS PROPRIETARY TO MOLEX ELECTRONIC TECHNOLOGIES, LLC AND SHOULD NOT BE USED WITHOUT WRITTEN PERMISSION		CURRENT REV DESC: SEE REV TABLE.		<p>QSFP+ 1X1 CAGE ASSEMBLY WITH SUS TAB TYPE SPRING FINGER</p> <p>PRODUCT CUSTOMER DRAWING</p>		
	DIMENSION UNITS	SCALE	EC NO: 723392				
	mm	3:1	DRWN: VISHNM2 2022/09/27				
	GENERAL TOLERANCES (UNLESS SPECIFIED)		CHK'D: DKUMARG 2022/10/03				
ANGULAR TOL $\pm 1.0^\circ$		APPR: SCHIEN 2022/10/12		DOCUMENT NUMBER	DOC TYPE	DOC PART	REVISION
4 PLACES \pm		INITIAL REVISION:		747503021	PSD	ASY	B
3 PLACES \pm		DRWN: CHETHH2 2022/02/17		SEE P/N TABLE	GENERAL MARKET	6 OF 11	
2 PLACES ± 0.13		APPR: JCHIANG 2022/03/28					
1 PLACE ± 0.25		DRAFT WHERE APPLICABLE MUST REMAIN WITHIN DIMENSIONS					
0 PLACES \pm		THIRD ANGLE PROJECTION	DRAWING	SERIES			
			D-SIZE	74750			

PCB LAYOUT FOR SINGLE SIDED MOUNTING



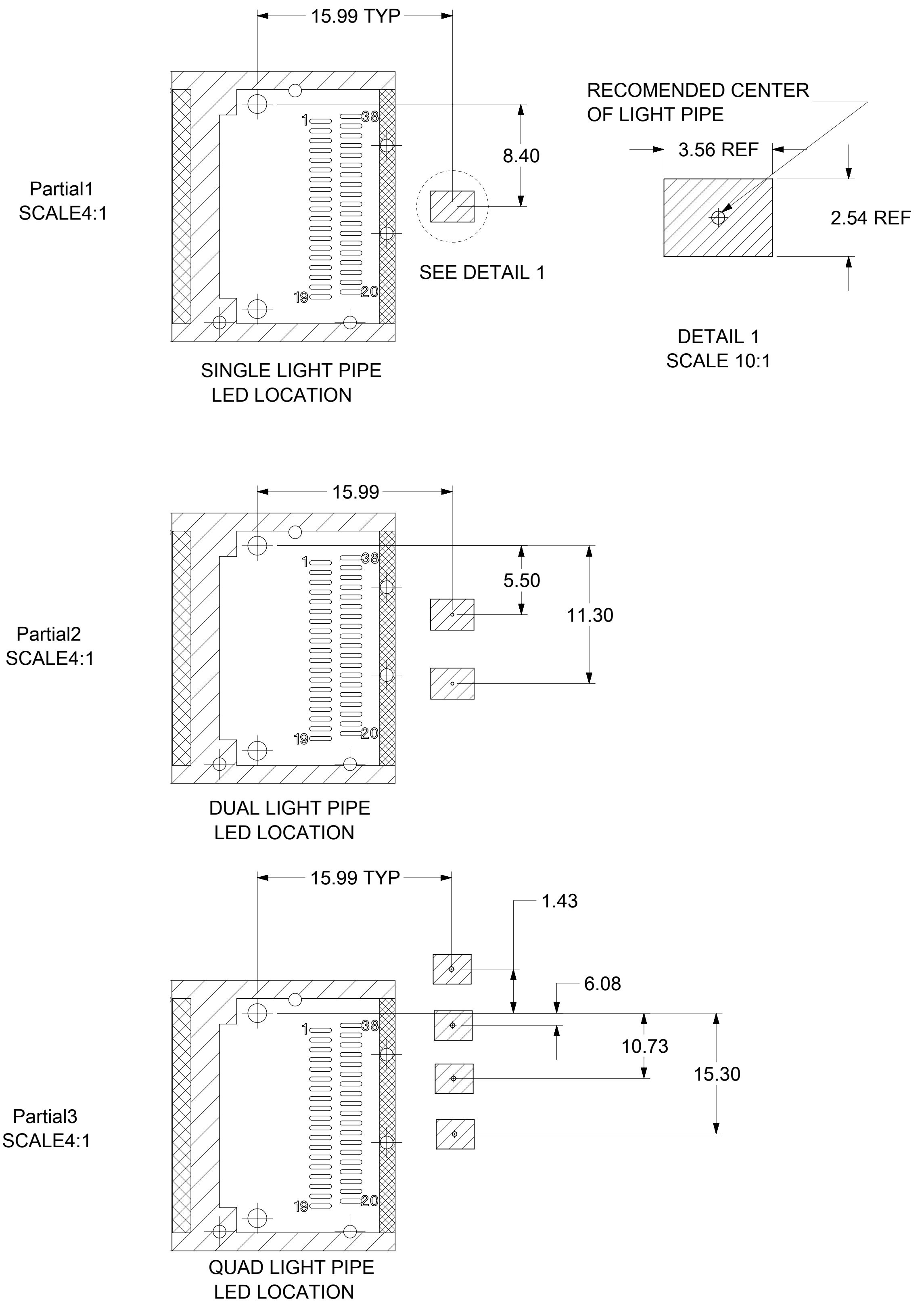
CROSS HATCHED AREA DENOTES COMPONENT & TRACE KEEP-OUT (EXCEPT CHASSIS GROUND)

AREA DENOTES OPTIONAL EMI GROUNDING PAD (MUST BE CONNECTED TO CHASSIS GROUND)

THIS AREA DENOTES COMPONENT KEEP-OUT (TRACES-ALLOWED)

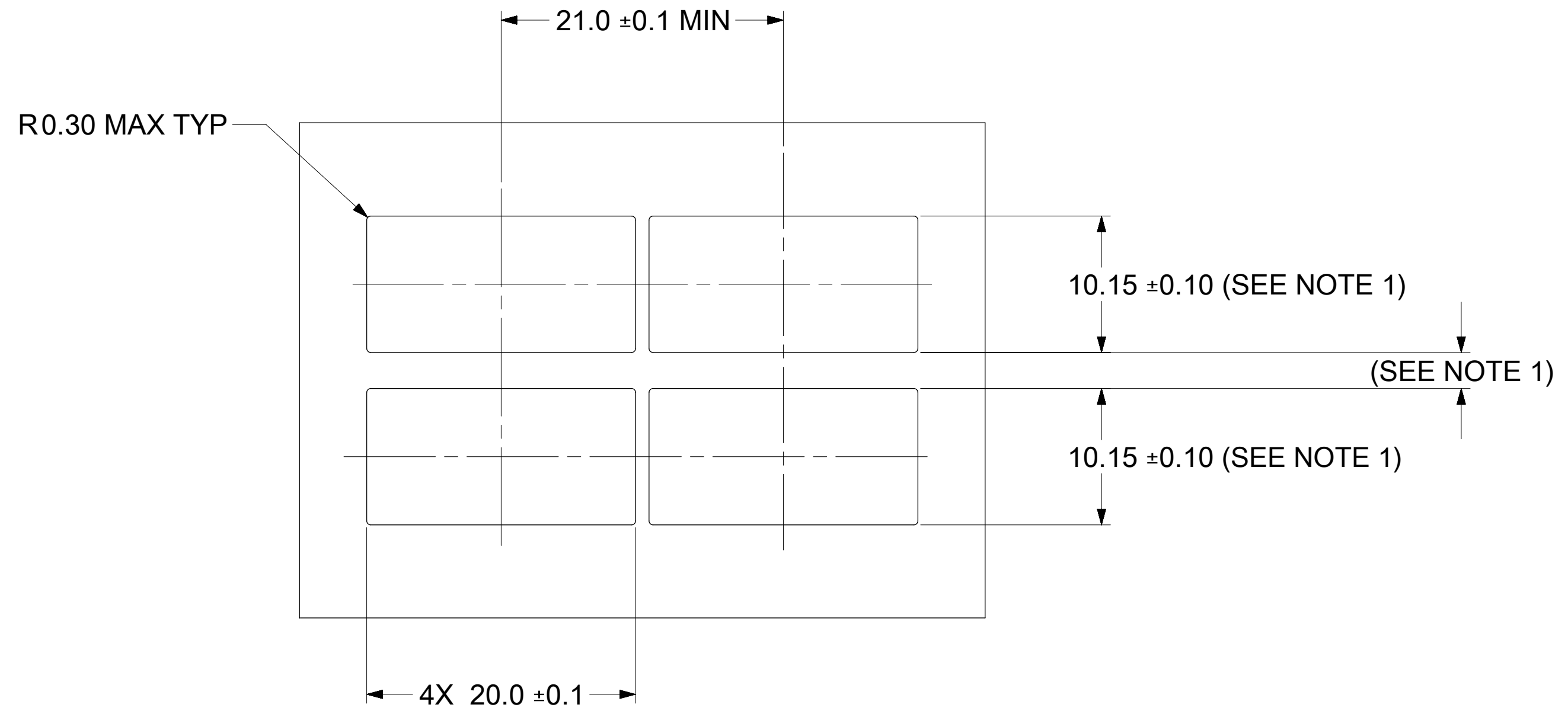
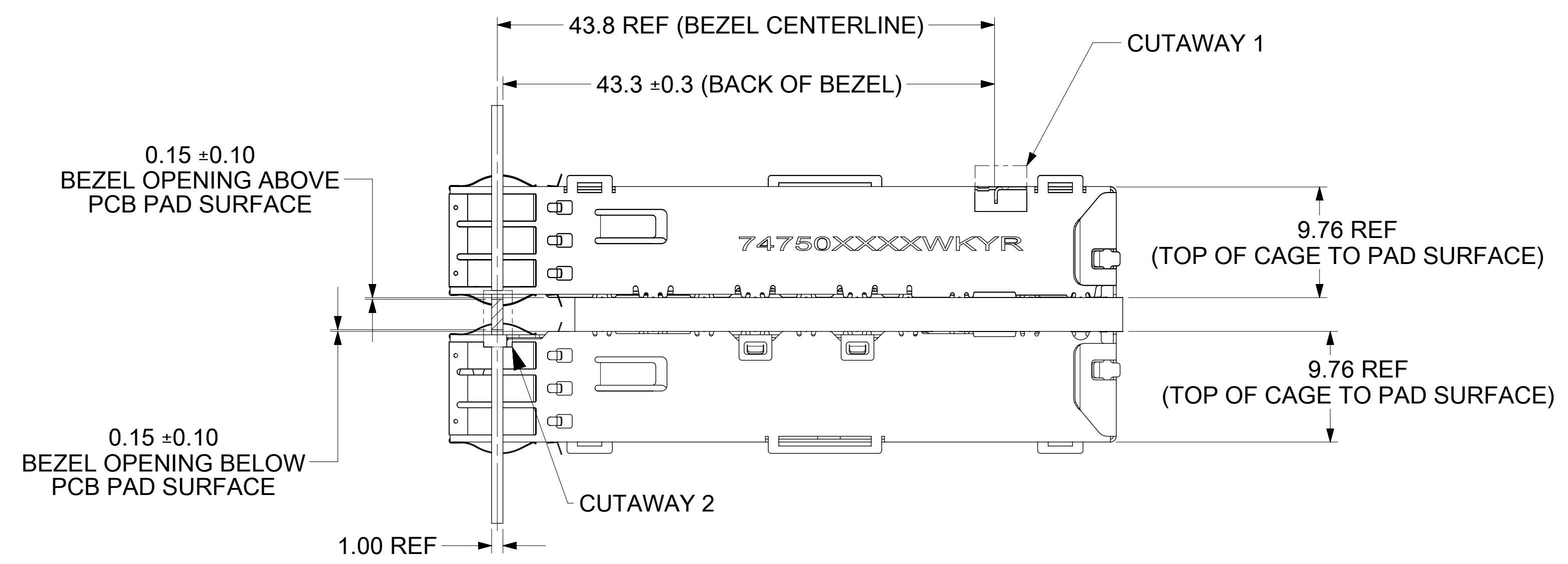
- NOTES:
- DATUM -A- IS TOP SURFACE OF HOST BOARD PER MSA
 - FINISHED HOLE SIZE (AFTER PLATING)
 - DATUM -K- IS HOST BOARD THRU HOLE #1 TO ACCEPT CONNECTOR GUIDE POST PER MSA
 - DATUM -L- IS HOST BOARD THRU HOLE #2 TO ACCEPT CONNECTOR GUIDE POST PER MSA
 - SINGLE SIDED BOARD THICKNESS
MINIMUM: 1.57 [0.061"] FOR 3.05MM & 2.90MM LEGS.
MINIMUM: 1.44 [0.057"] FOR 2.28MM & 1.90MM LEGS.
 - LED SHOULD BE PLACED RELATIVE TO THE QSFP CONNECTOR POST HOLES.

HOST CONNECTOR DETAIL



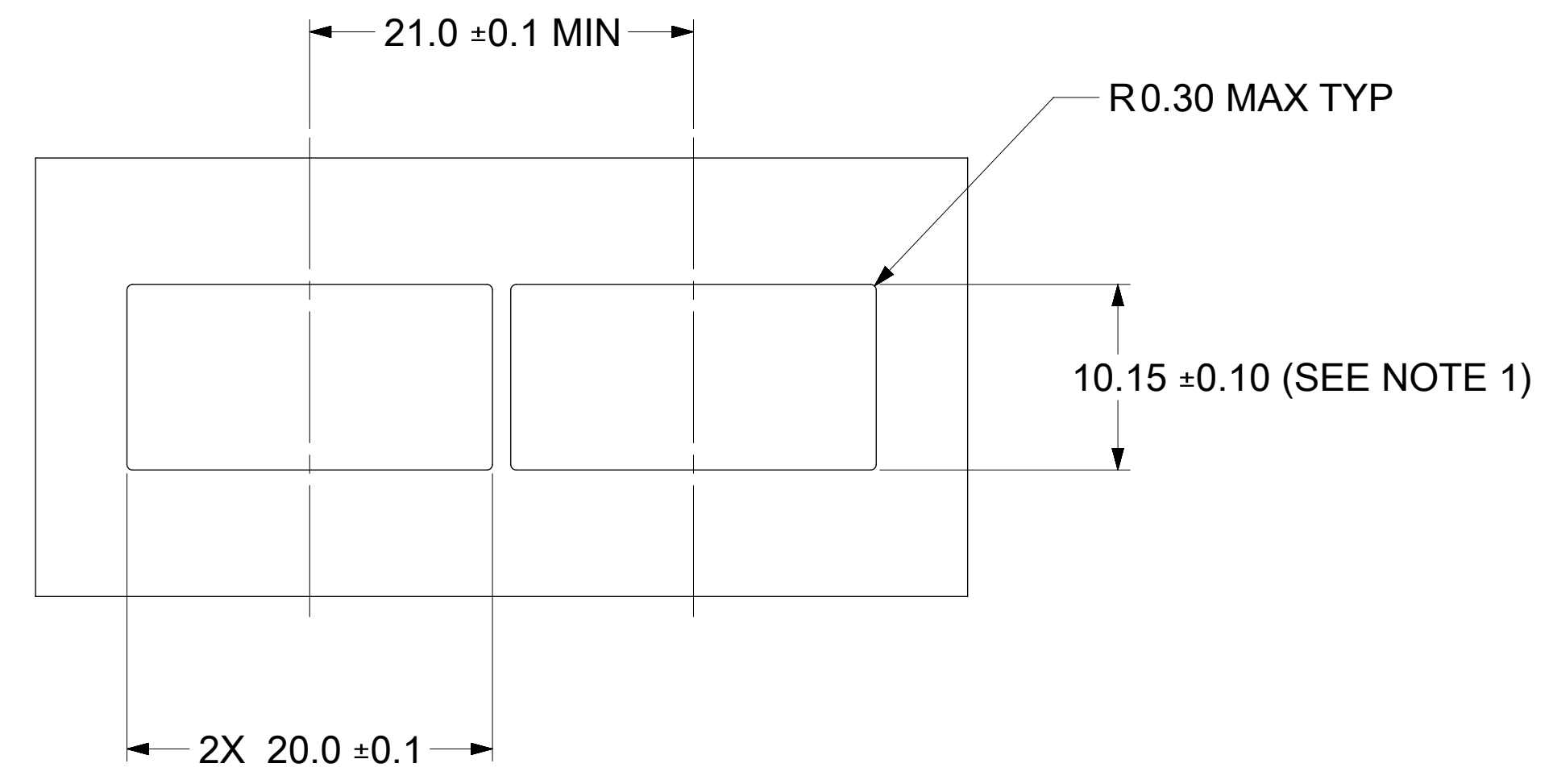
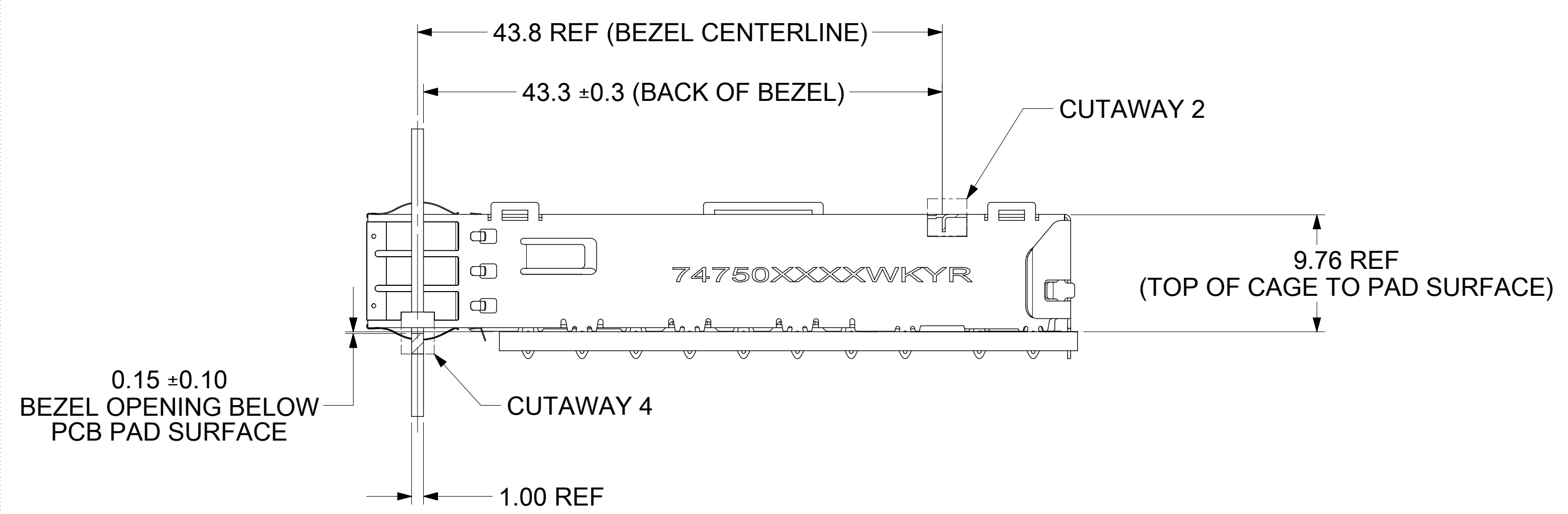
FUNCTIONAL SYMBOLS	THIS DRAWING CONTAINS INFORMATION THAT IS PROPRIETARY TO MOLEX ELECTRONIC TECHNOLOGIES, LLC AND SHOULD NOT BE USED WITHOUT WRITTEN PERMISSION										
FA = 0	DIMENSION UNITS	SCALE	CURRENT REV DESC: SEE REV TABLE.								
FC = 0	mm	6:1									
FD = 0	GENERAL TOLERANCES (UNLESS SPECIFIED)									QSFP+ 1X1 CAGE ASSEMBLY WITH SUS TAB TYPE SPRING FINGER	
	ANGULAR TOL ± 1.0°									PRODUCT CUSTOMER DRAWING	
	4 PLACES	±	EC NO: 723392 DRWN: VISHNM2 CHK'D: DKUMARG APPR: SCHIEN							DOCUMENT NUMBER: 747503021 DOC TYPE: PSD DOC PART: ASY REVISION: B	
	3 PLACES	±	INITIAL REVISION: DRWN: CHETHH2 APPR: JCHIANG							MATERIAL NUMBER: SEE P/N TABLE CUSTOMER: GENERAL MARKET	
	2 PLACES	± 0.13								SHEET NUMBER: 7 OF 11	
	1 PLACE	± 0.25									
	0 PLACES	±									
	DRAFT WHERE APPLICABLE MUST REMAIN WITHIN DIMENSIONS		THIRD ANGLE PROJECTION		DRAWING	SERIES	MATERIAL NUMBER		CUSTOMER		
					D-SIZE	74750	SEE P/N TABLE		GENERAL MARKET		

BOARD POSITION AND BEZEL DIMENSIONS FOR BELLY TO BELLY MOUNTING



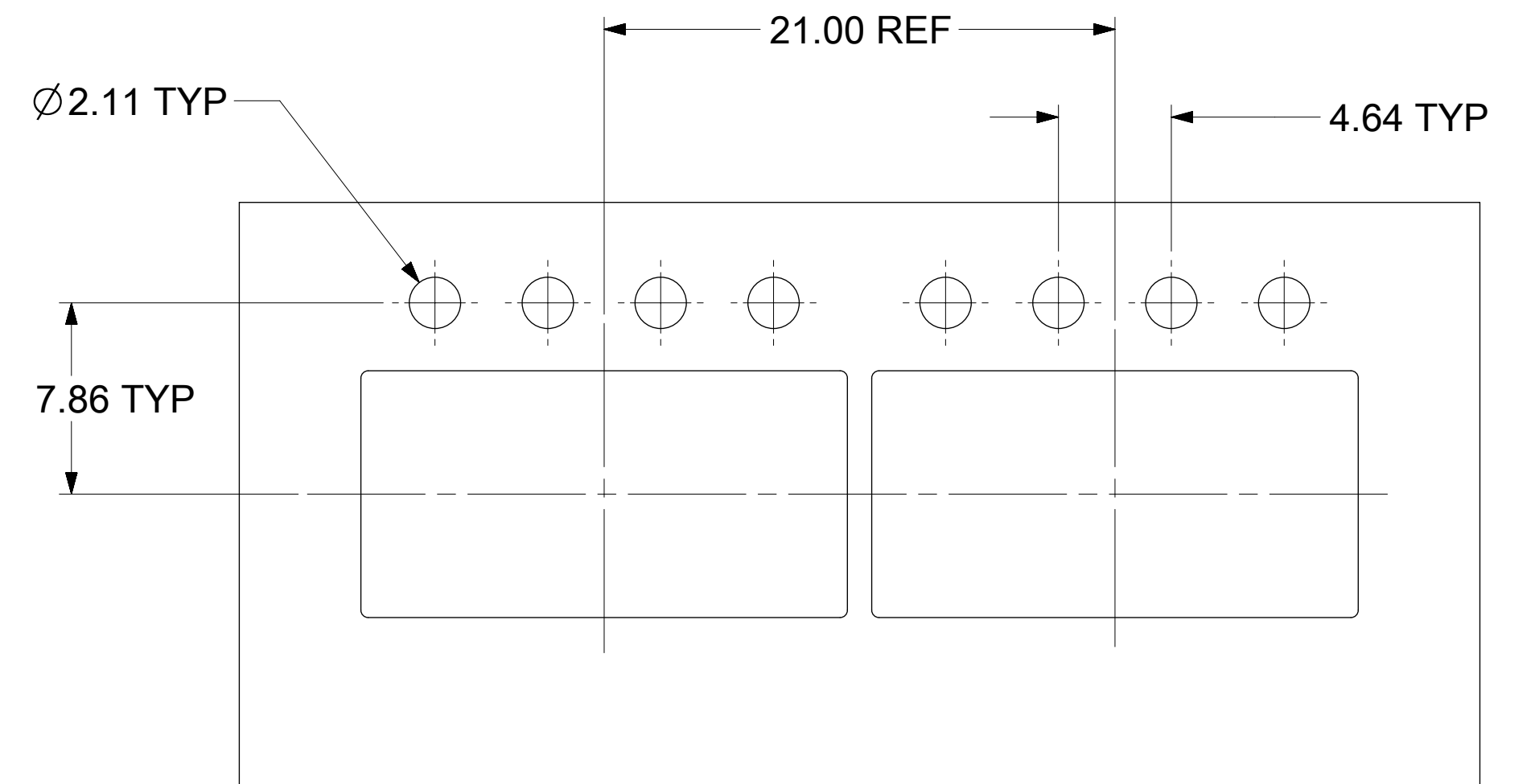
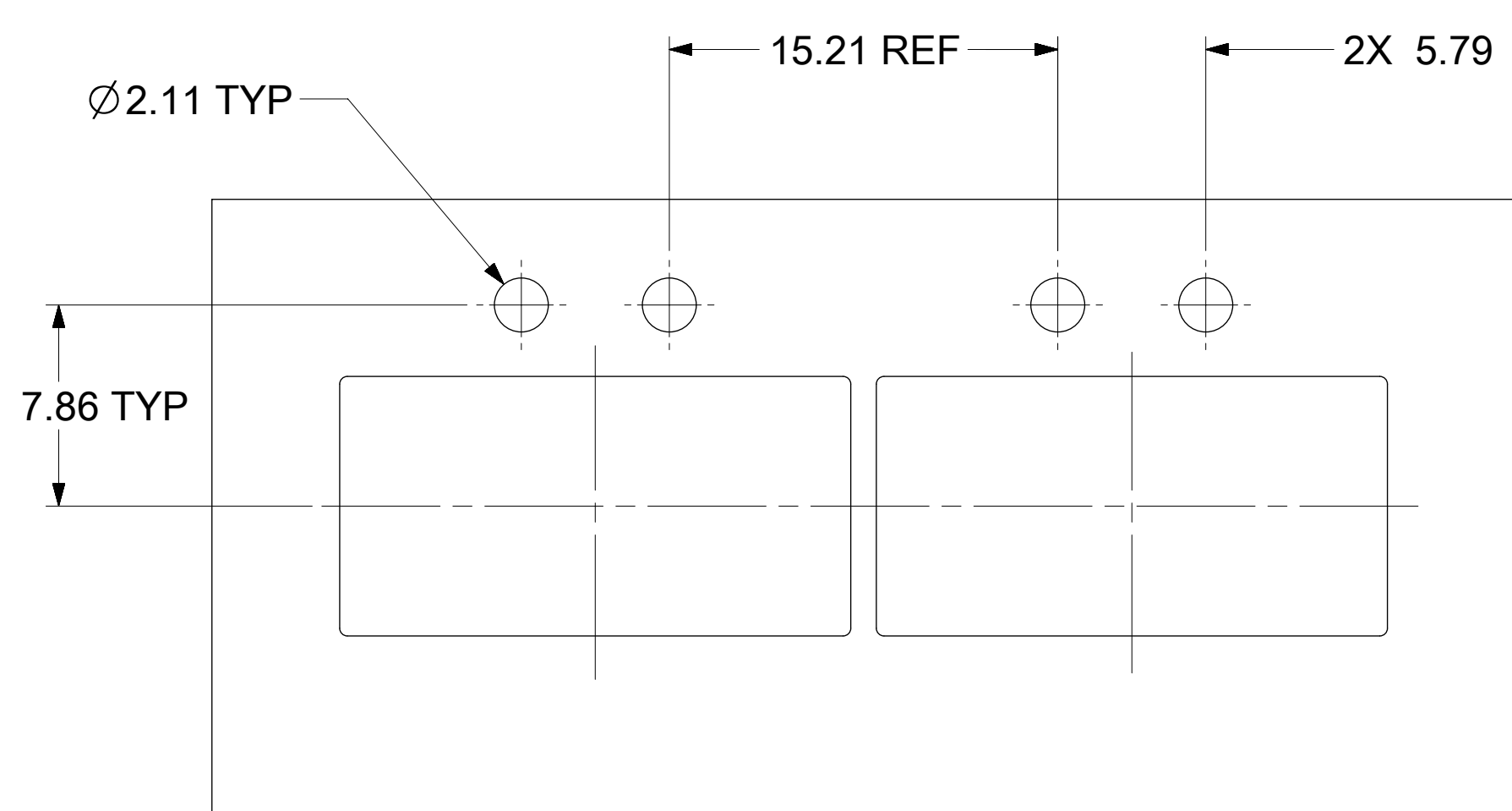
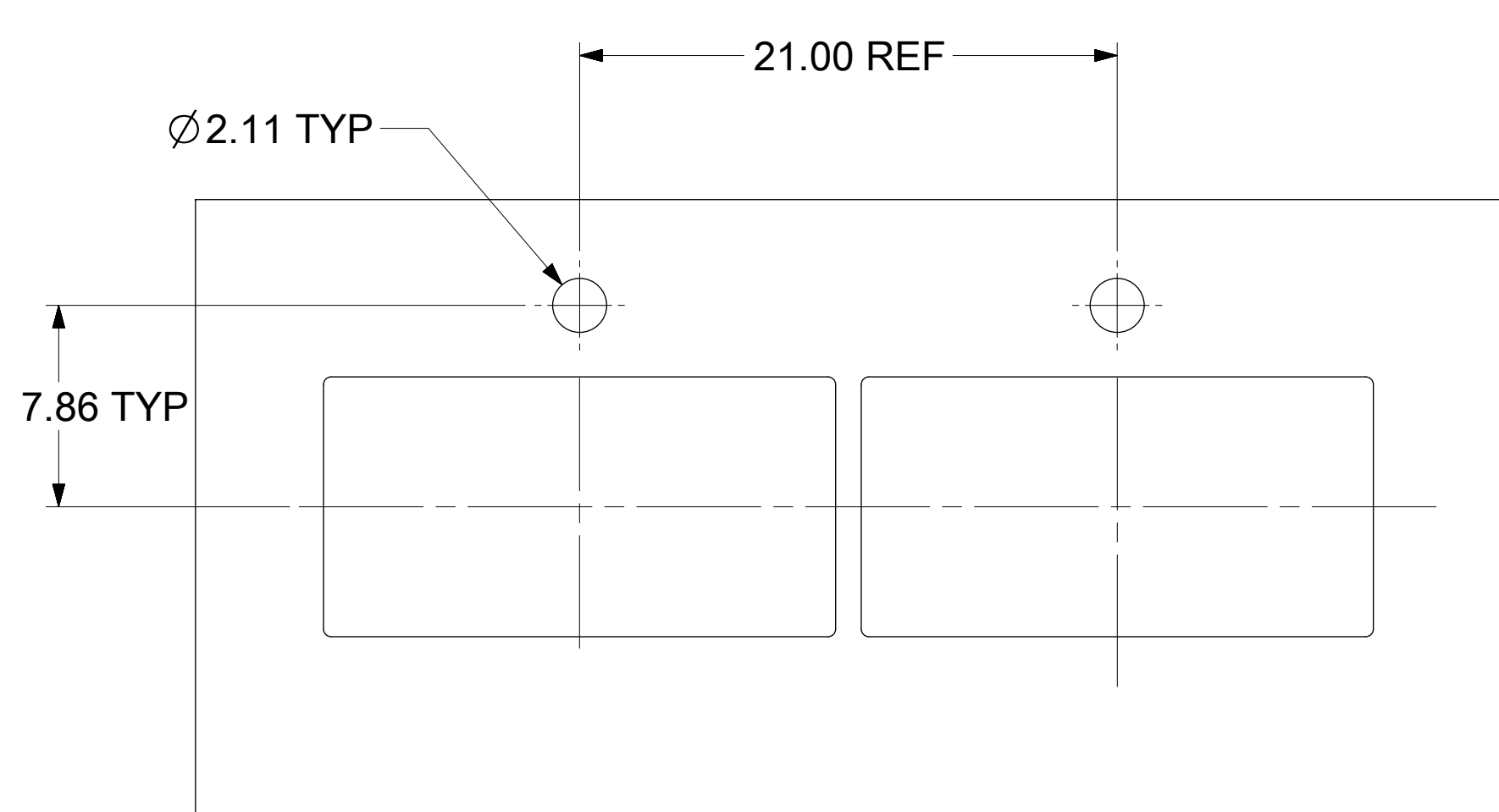
NOTE:
 1. PCB THICKNESS VARIATION MUST BE CONSIDERED WHEN DETERMING BEZEL OPENING, SIZE, AND LOCATION.
 2. SEE QSFP MSA SPECIFICATION FOR BEZEL LOCATION TOLERANCE.

BOARD POSITION AND BEZEL DIMENSIONS FOR SINGLE SIDE MOUNTING



FUNCTIONAL SYMBOLS $F_A = 0$ $F_C = 0$ $F_P = 0$	THIS DRAWING CONTAINS INFORMATION THAT IS PROPRIETARY TO MOLEX ELECTRONIC TECHNOLOGIES, LLC AND SHOULD NOT BE USED WITHOUT WRITTEN PERMISSION		CURRENT REV DESC: SEE REV TABLE.		
	DIMENSION UNITS	SCALE	EC NO: 723392		
	mm	3:1	DRWN: VISHNM2	2022/09/27	
	GENERAL TOLERANCES (UNLESS SPECIFIED)		CHK'D: DKUMARG	2022/10/03	
DIVISIONAL SYMBOLS	ANGULAR TOL	± 1.0°	APPR: SCHIEN	2022/10/12	PRODUCT CUSTOMER DRAWING DOCUMENT NUMBER: 747503021 DOC TYPE: PSD DOC PART: ASY REVISION: B
	4 PLACES	±	INITIAL REVISION:		
	3 PLACES	±	DRWN: CHETHH2	2022/02/17	
	2 PLACES	± 0.13	APPR: JCHIANG	2022/03/28	
1 PLACE	± 0.25	DRAFT WHERE APPLICABLE MUST REMAIN WITHIN DIMENSIONS		MATERIAL NUMBER: SEE P/N TABLE CUSTOMER: GENERAL MARKET SHEET NUMBER: 9 OF 11	
0 PLACES	±	THIRD ANGLE PROJECTION	DRAWING: D-SIZE		
			SERIES: 74750		

LIGHT PIPE CUTOUT DIMENSIONS



FUNCTIONAL SYMBOLS	THIS DRAWING CONTAINS INFORMATION THAT IS PROPRIETARY TO MOLEX ELECTRONIC TECHNOLOGIES, LLC AND SHOULD NOT BE USED WITHOUT WRITTEN PERMISSION		
	DIMENSION UNITS	SCALE	CURRENT REV DESC: SEE REV TABLE.
$\nabla_A = 0$	mm	4:1	EC NO: 723392 DRWN: VISHNM2 2022/09/27 CHK'D: DKUMARG 2022/10/03 APPR: SCHIEN 2022/10/12 INITIAL REVISION: DRWN: CHETHH2 2022/02/17 APPR: JCHIANG 2022/03/28
$\nabla_C = 0$	GENERAL TOLERANCES (UNLESS SPECIFIED)		
$\nabla_D = 0$	ANGULAR TOL $\pm 1.0^\circ$		
DIVISIONAL SYMBOLS	4 PLACES	\pm	
	3 PLACES	\pm	
	2 PLACES	± 0.13	
	1 PLACE	± 0.25	
	0 PLACES	\pm	
DRAFT WHERE APPLICABLE MUST REMAIN WITHIN DIMENSIONS		THIRD ANGLE PROJECTION	DRAWING D-SIZE SERIES 74750 MATERIAL NUMBER SEE P/N TABLE CUSTOMER GENERAL MARKET SHEET NUMBER 10 OF 11

molex

QSFP+ 1X1 CAGE ASSEMBLY
WITH SUS TAB TYPE SPRING FINGER

PRODUCT CUSTOMER DRAWING

DOCUMENT NUMBER	DOC TYPE	DOC PART	REVISION
747503021	PSD	ASY	B

REV	DATE	DESCRIPTION
A	2022/02/17	1. INITIAL RELEASE
A1	2022/06/27	SHEET 02: C17: CORRECTED THE LEG OPTIONS DETAIL VIEW'S TO HIDE UNWANTED LEGS. SHEET 09: J06 : HIDE UNWANTED LEGS FROM THE VIEW.
B	2022/10/03	SHEET 06: J17 : ADDED P/N TABLE & ISO VIEW OF P/N 747503057. SHEET 09: H16 : CAGE ASSEMBLY ERROR CORRECTED.

FUNCTIONAL SYMBOLS	THIS DRAWING CONTAINS INFORMATION THAT IS PROPRIETARY TO MOLEX ELECTRONIC TECHNOLOGIES, LLC AND SHOULD NOT BE USED WITHOUT WRITTEN PERMISSION										
	DIMENSION UNITS	SCALE	CURRENT REV DESC: SEE REV TABLE.							molex	
$\nabla_A = 0$	mm	1:1									
DIVISIONAL SYMBOLS	GENERAL TOLERANCES (UNLESS SPECIFIED)										
	ANGULAR TOL \pm 1.0°										
DIVISIONAL SYMBOLS	4 PLACES	\pm	EC NO: 723392							747503021 PSD ASY B DOCUMENT NUMBER DOC TYPE DOC PART REVISION MATERIAL NUMBER CUSTOMER SHEET NUMBER SEE P/N TABLE GENERAL MARKET 11 OF 11	
	3 PLACES	\pm	DRWN: VISHNM2 2022/09/27								
	2 PLACES	\pm 0.13	CHK'D: DKUMARG 2022/10/03								
	1 PLACE	\pm 0.25	APPR: SCHIEN 2022/10/12								
	0 PLACES	\pm	INITIAL REVISION: DRWN: CHETHH2 2022/02/17 APPR: JCHIANG 2022/03/28								
DRAFT WHERE APPLICABLE MUST REMAIN WITHIN DIMENSIONS		THIRD ANGLE PROJECTION	DRAWING	SERIES							
			D-SIZE	74750							