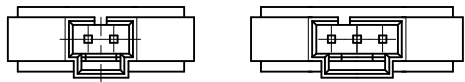


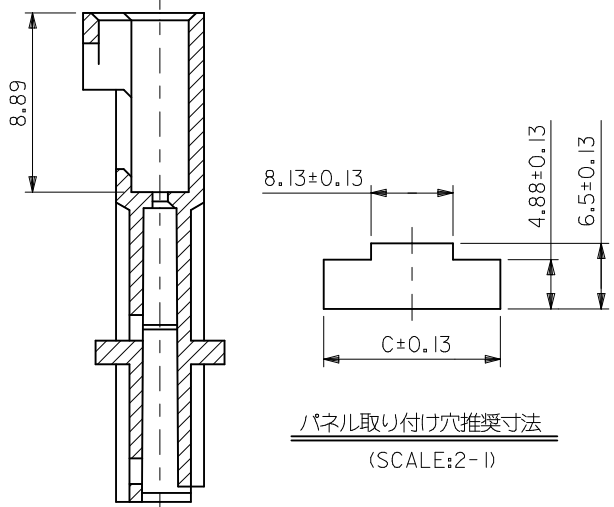
**OPTION B**

注記

1. 適合オスターミナル：50087-\*\*\*\*, 50088-\*\*\*\*
2. 適合メスコネクター：51030-\*\*\*3\*, 52109-\*\*\*\*
3. 推奨パネル厚：t=0.81~2.36
- △ 2極の場合は、5.4±0.5
- 5.ハウジングの色（ENG. No. の下1桁に対応する。）：  
白 色；51029-\*\*00

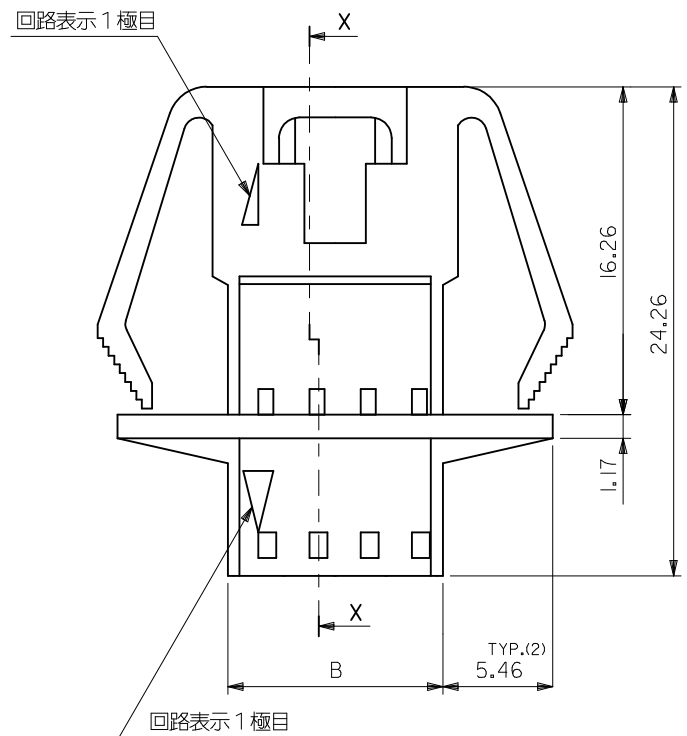


2極, 3極の場合  
(SCALE:2-1)



パネル取り付け穴推奨寸法  
(SCALE:2-1)

断面 X-X



68.96	61.47	58.42	51029-2400	24
66.42	58.93	55.88	↑ -2300	23
63.88	56.39	53.34	-2200	22
61.34	53.85	50.80	-2100	21
58.80	51.31	48.26	-2000	20
56.26	48.77	45.72	-1900	19
53.72	46.23	43.18	-1800	18
51.18	43.69	40.64	-1700	17
48.64	41.15	38.10	-1600	16
46.10	38.61	35.56	-1500	15
43.56	36.07	33.02	-1400	14
41.02	33.53	30.48	-1300	13
38.48	30.99	27.94	-1200	12
35.94	28.45	25.40	-1100	11
33.40	25.91	22.86	-1000	10
30.86	23.37	20.32	-0900	9
28.32	20.83	17.78	-0800	8
25.78	18.29	15.24	-0700	7
23.24	15.75	12.70	-0600	6
20.70	13.21	10.16	-0500	5
18.16	10.67	7.62	-0400	4
15.62	8.13	5.08	↓ -0300	3
13.08	5.59	2.54	51029-0200	2
C	B	A	MATERIAL NO.	極数

MODEL NO. 51029-\*\*0\*

材料  
MATERIAL  
ガラス入り ポリエステル  
UL 94V-0

REVISED EC NO: J2009-1245 DRWN:NAKAMURA 2008/12/15 CHKD:T. HARUYAMA 2008/12/15 APPR:NUKITA 2009/01/13	GENERAL TOLERANCES (UNLESS SPECIFIED)		DIMENSION STYLE	SCALE	DESIGN UNITS	THIRD ANGLE PROJECTION	
			MM ONLY	4:1	METRIC		
	10 UNDER ±0.2		DRAWN BY	DATE	TITLE		
	10 OVER 30 UNDER ±0.25		M. SASAOKA	'88/11/14	J-SL 2.54 SINGLE ROW HSG CONN (OPTION B)		
30 OVER ±0.3		CHECKED BY	DATE	MATERIAL NO.			
ANGULAR ±3 °		H. HIRATA		moLEX MOLEX INCORPORATED			
DRAFT WHERE APPLICABLE MUST REMAIN WITHIN DIMENSIONS		APPROVED BY	DATE	DOCUMENT NO.			
		A. ASO		SD-51029-001			
		MATERIAL NO.		SHEET NO.			
		SIZE	THIS DRAWING CONTAINS INFORMATION THAT IS PROPRIETARY TO MOLEX INCORPORATED AND SHOULD NOT BE USED WITHOUT WRITTEN PERMISSION				
		A3	1 OF 1				