

SECTION Z-Z

NOTE:

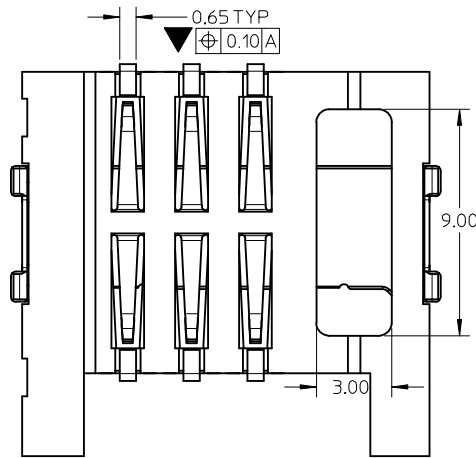
1.MATERIAL:

HOUSING: LCP, GLASS-FILLED, UL 94V-0, COLOR BLACK.  
 TERMINAL: PHOSPHOR BRONZE. THICKNESS: 0.12MM.  
 SHELL: STAINLESS STEEL. THICKNESS: 0.2MM.

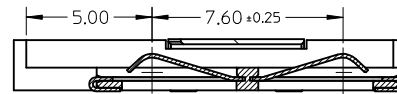
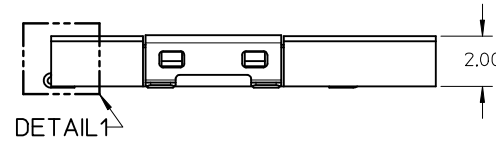
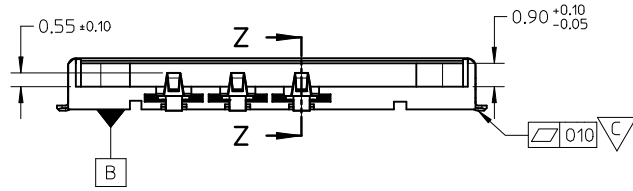
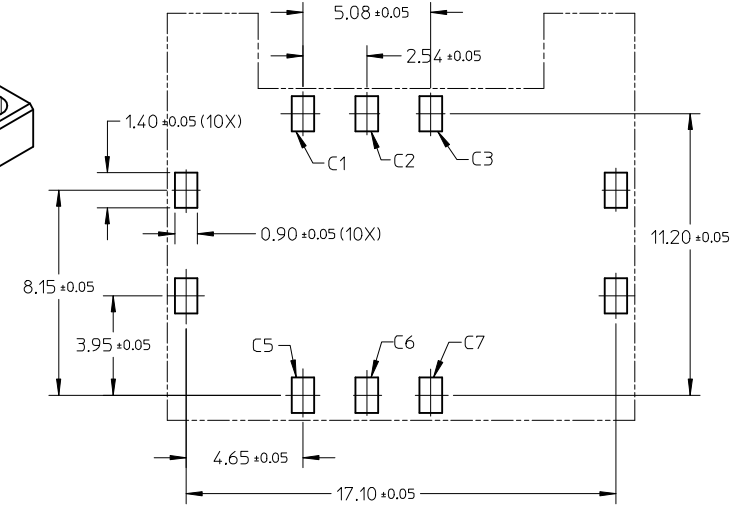
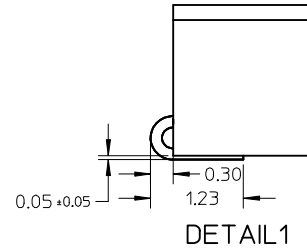
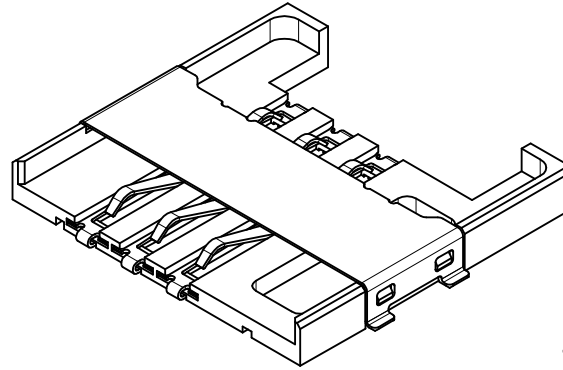
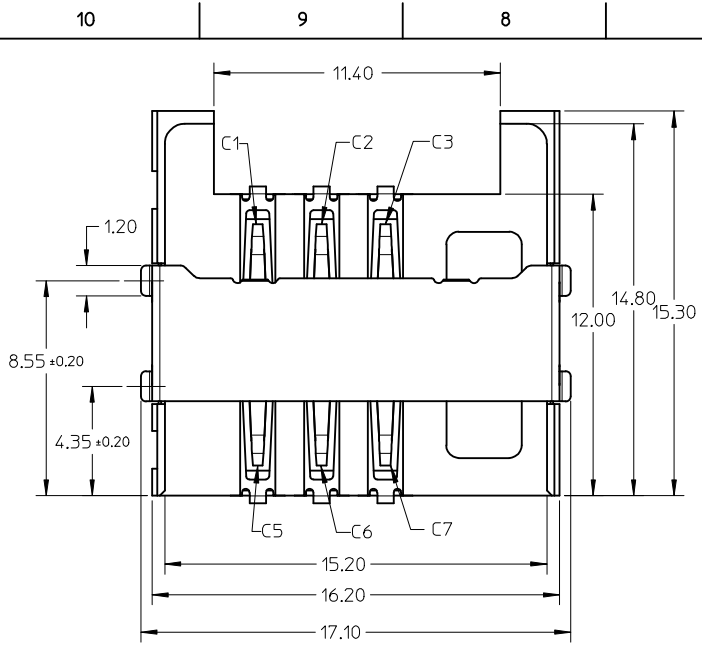
2.FINISH:

1.0~4.0 MICRON NI OVER ALL.  
 0.5 MICRON MIN GOLD FOR CONTACT AREA.  
 0.05 GOLD MICRON MIN FOR SOLDER TAIL.

3.PRODUCT SPECIFICATION: PS-47308-001.



<b>ADD PIN ASSIGNMENT</b> EC NO: SZ015-0807 DRWNG: EMARLY 2013/07/02 CHKD: SCHEONG 2015/01/29 APPR: KHL JM 2015/01/29	<b>QUALITY SYMBOLS</b> F=0 E=0 F=0 0 PLACE ± C=1 =1	<b>GENERAL TOLERANCES (UNLESS SPECIFIED)</b>		<b>DIMENSION STYLE</b> MM ONLY	<b>SCALE</b> NTS	<b>DESIGN UNITS</b> METRIC	THIRD ANGLE PROJECTION		
		mm	INCH	DRAWN BY CYZHU	DATE 2005/11/24	<b>TITLE</b> SIM CARD CONNECTOR 2.0MM HEIGHT			
		4 PLACES ± --- ± ---	3 PLACES ± --- ± ---	2 PLACES ± 0.15 ± ---	1 PLACE ± --- ± ---	0 PLACE ±	CHECKED BY Y JWU	DATE 2005/11/24	
		ANGULAR ± 1/2° DRAFT WHERE APPLICABLE MUST REMAIN WITHIN DIMENSIONS		APPROVED BY GCHEN	DATE 2005/11/24	MATERIAL NO. 473080001	DOCUMENT NO. SD-47308-001	SHEET NO. 1 OF 1	



SECTION Z-Z

NOTE:

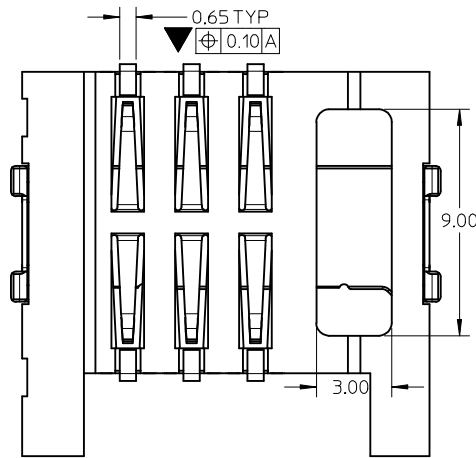
1.MATERIAL:

HOUSING: LCP, GLASS-FILLED, UL 94V-0, COLOR BLACK.  
 TERMINAL: PHOSPHOR BRONZE. THICKNESS: 0.12MM.  
 SHELL: STAINLESS STEEL. THICKNESS: 0.2MM.

2.FINISH:

1.0~4.0 MICRON NI OVER ALL.  
 0.5 MICRON MIN GOLD FOR CONTACT AREA.  
 0.05 GOLD MICRON MIN FOR SOLDER TAIL.

3.PRODUCT SPECIFICATION: PS-47308-001.



<b>ADD PIN ASSIGNMENT</b> EC NO: SZ015-0807 DRWNG: EMARLY 2013/07/02 CHKD: SCHEONG 2015/01/29 APPR: KHL IM 2015/01/29	<b>QUALITY SYMBOLS</b> F=0 E=0 F=0 0 PLACE ± C=1 =1	<b>GENERAL TOLERANCES (UNLESS SPECIFIED)</b>		<b>DIMENSION STYLE</b> MM ONLY	<b>SCALE</b> NTS	<b>DESIGN UNITS</b> METRIC	THIRD ANGLE PROJECTION		
		mm	INCH	DRAWN BY CYZHU	DATE 2005/11/24	<b>TITLE</b> SIM CARD CONNECTOR 2.0MM HEIGHT			
		4 PLACES ± --- ± ---	3 PLACES ± --- ± ---	2 PLACES ± 0.15 ± ---	1 PLACE ± --- ± ---	0 PLACE ±	CHECKED BY Y JWU	DATE 2005/11/24	
		ANGULAR ± 1/2° DRAFT WHERE APPLICABLE MUST REMAIN WITHIN DIMENSIONS		APPROVED BY GCHEN	DATE 2005/11/24	MATERIAL NO. <b>473080001</b>	DOCUMENT NO. <b>SD-47308-001</b>	SHEET NO. 1 OF 1	