



# WIRE-WOUND CHIP INDUCTOR – CERAMIC / 0402 (1005)

## 0402HC Series Part Numbering

### Part Numbering (Example)

( Ex. )     0402   H   C -   4N7   E   J   T   S

**SIZE**

0402	1.0 * 0.5 mm
0603	1.6 * 0.8 mm
0805	2.0 * 1.2 mm
1008	2.5 * 2.0 mm
1206	3.2 * 1.6 mm
1210	3.2 * 2.5 mm

**SHAPE**

C : C SHAPE  
H : H SHAPE

**PROFILE**

S: STANDARD  
C: HIGH CURRENT  
M:OPTIMUM DIMENSION

**INDUCTANCE**

- FIRST 2 DIGITS ARE SIGNIFICANT  
- 3 DIGIT IS MULTIPLIER

**PACK/ FEATURE**

S =EIA RS481 CLEAR TAPE & REEL  
/STANDARD TYPE.

**TERMINAL TYPE/MATERIAL.**

T = TERMINAL ,CERAMIC CORE (SUBSTRATE)  
F = FERRITE CORE (SUBSTRATE)

**INDUCTANCE TOLERANCE**

G=±2%, H=±3%, J=± 5%, K=±10%, M=±20%  
B=±0.1nH, C=±0.2nH, D=±0.5nH

**SHAPE**

E = FLAT TOP



## WIRE-WOUND CHIP INDUCTOR – CERAMIC / 0402 (1005)

### 0402HC Series (1.3 ~ 6.0nH)

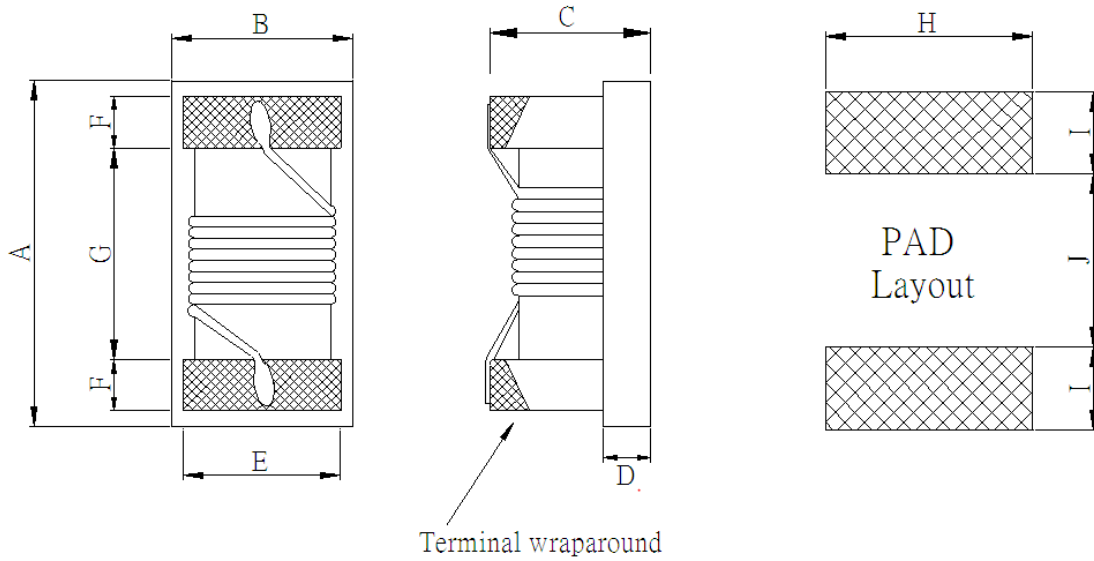
Part Number	Inductance nH	Percent Tolerance	Q Min	SRF Min GHz	R <sub>DC</sub> Max Ohms	I <sub>DC</sub> Max mA
0402HC-1N3E_TS	1.3 @ 100MHz	C,D	20 @ 250MHz	16.0	0.017	1200
0402HC-2N2E_TS	2.2 @ 100MHz	C,D	25 @ 250MHz	14.0	0.027	1000
0402HC-2N4E_TS	2.4 @ 100MHz	C,D	25 @ 250MHz	14.0	0.027	1000
0402HC-3N3E_TS	3.3 @ 100MHz	C,D	30 @ 250MHz	12.0	0.040	900
0402HC-3N4E_TS	3.4 @ 100MHz	C,D	30 @ 250MHz	12.0	0.040	900
0402HC-3N6E_TS	3.6 @ 100MHz	C,D	30 @ 250MHz	9.5	0.040	900
0402HC-3N9E_TS	3.9 @ 100MHz	C,D	30 @ 250MHz	7.0	0.040	900
0402HC-4N7E_TS	4.7 @ 100MHz	C,D	30 @ 250MHz	8.0	0.051	800
0402HC-5N1E_TS	5.1 @ 100MHz	C,D	30 @ 250MHz	8.0	0.051	800
0402HC-5N6E_TS	5.6 @ 100MHz	C,D	30 @ 250MHz	8.0	0.051	800
0402HC-6N0E_TS	6.0 @ 100MHz	C,D	30 @ 250MHz	7.7	0.056	760

Working Temperature Range : - 55 °C ~ +125 °C



**WIRE-WOUND CHIP INDUCTOR – CERAMIC / 0402 (1005)**  
**0402HC Series Shape Dimension**

**Shape & Dimension**



	A		B		C		D	E	F	G	H	I	J
	Max.	Min	Max.	Min	Max.	Min							
inch	0.043	0.035	0.024	0.016	0.024	0.016	0.008	0.020	0.008	0.024	0.026	0.014	0.020
mm	1.10	0.90	0.60	0.40	0.60	0.40	0.20	0.50	0.20	0.60	0.65	0.35	0.50

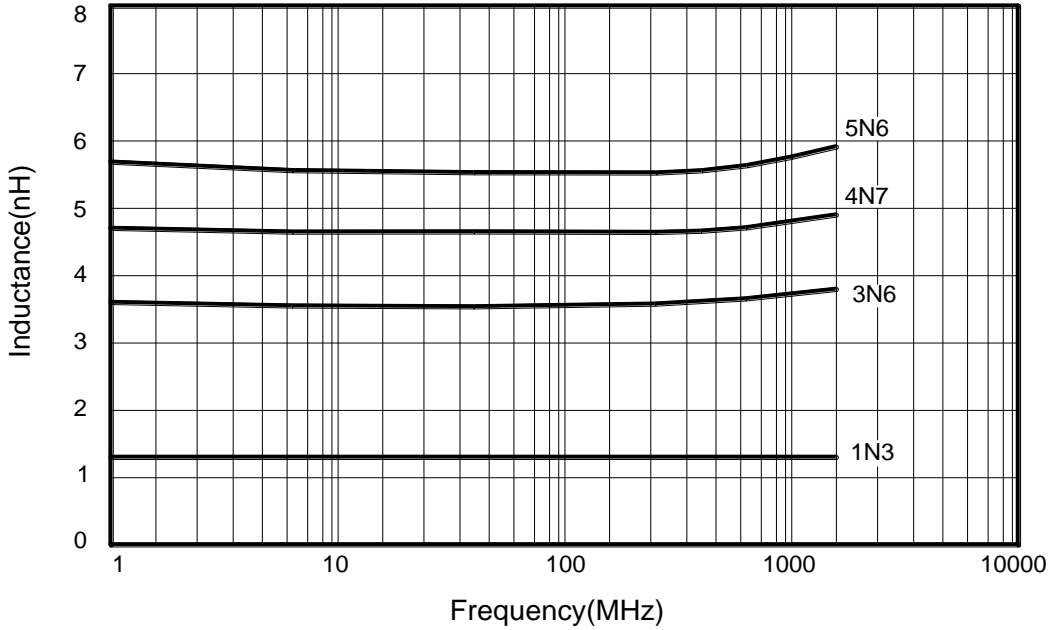
Parts/Reel: 7" 4,000PCS  
 Tape Width: 8mm



# WIRE-WOUND CHIP INDUCTOR – CERAMIC / 0402 (1005)

## 0402HC Series Typical Electrical Characteristics

### TYPICAL L vs FREQUENCY



### TYPICAL Q vs FREQUENCY

