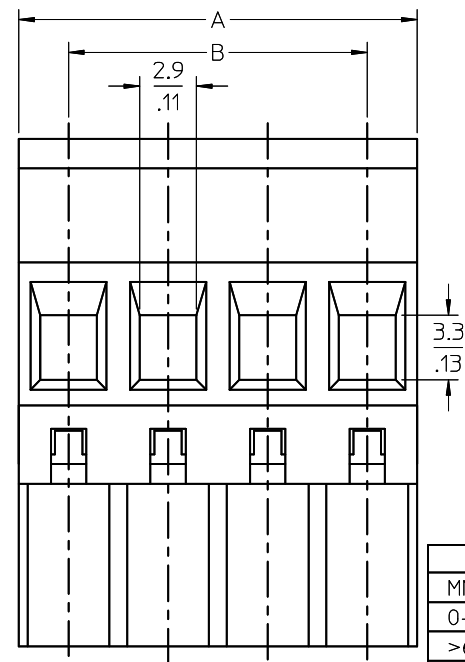
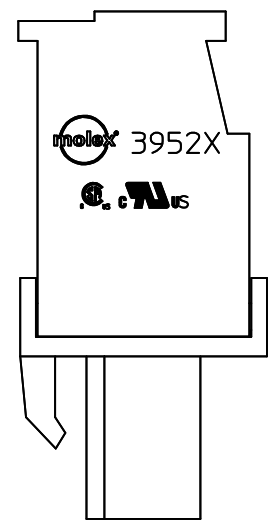
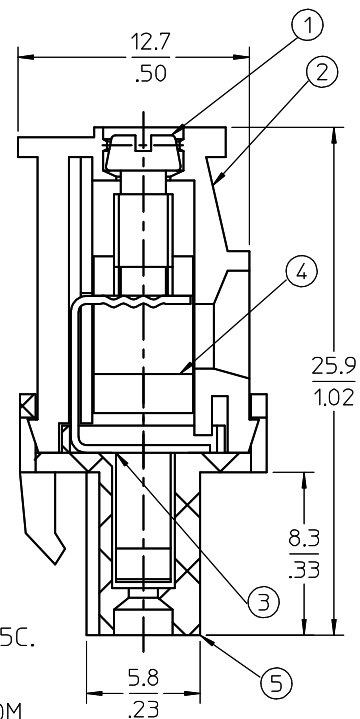
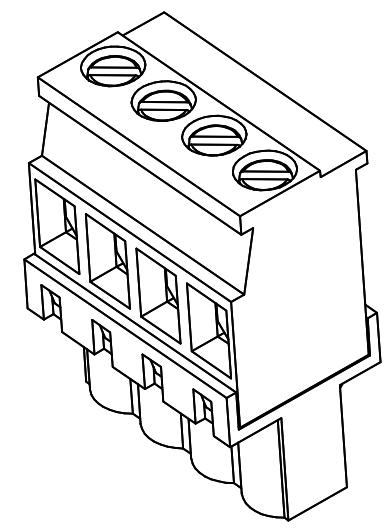
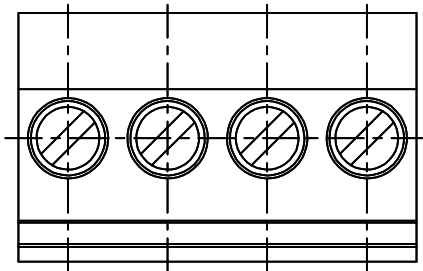


CIRCUITS	P/N	COLOR	IMPRINTING
2	395239000	GREEN	SEE SHEET 2
2	395239001	GREEN	SEE SHEET 2
4	395239002	GREEN	SEE SHEET 2
5	395239003	GREEN	SEE SHEET 2
6	395239004	GREEN	SEE SHEET 2
7	395239005	GREEN	SEE SHEET 2

CUSTOMER PRODUCTION APPROVAL  
 APPROVED BY: \_\_\_\_\_  
 DATE: \_\_\_\_\_  
 MUST BE SIGNED AND RETURNED BEFORE  
 PRODUCTION WILL BEGIN.



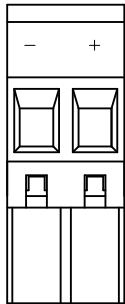
**SPECIFICATIONS:**

- Material:
  - (1). Screw: Steel
  - (2). Cover: PA66
  - (3). Terminal: Phosphor Bronze
  - (4). Cage: Brass
  - (5). Body: PA66
- Wire range: 12 - 26 AWG
- Electrical rating: 300V, 15A.
- Wire strip length: 5.0mm.
- Operating temperature: -40C to +105C.
- Max torque: 5 In Lbs.
- Insulation resistance: DC 500V, 500M.
- Dielectric withstand: AC 2500V for 1 minute.
- Breakdown voltage: 4000V.
- Contact resistance: <10 mW.
- A = (N x P)
- B = (N - 1) x P
- P (PITCH) = 5.0mm (.197").
- N = Number of positions available 2 through 24.

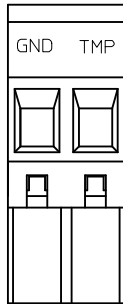
TOLERANCES			
MM	TOL	INCH	TOL
0-6	±0.25	0-.24	±.010
>6-30	±0.40	.24-1.18	±.016
>30-120	±0.50	1.18-4.76	±.020
>120	±0.80	>4.76	±.031

IRPM-T201741599 EC NO: IPG2018-0096 DRWN: ABENJAMINLW 2017/08/23 CHKD: APPR: BRUPERT 2017/08/30 REV DESCRIPTION	QUALITY SYMBOLS	GENERAL TOLERANCES (UNLESS SPECIFIED)	DIMENSION STYLE	SCALE	DESIGN UNITS	THIRD ANGLE PROJECTION										
	$\nabla=0$ $\nabla=0$	<table border="1"> <tr> <th>mm</th> <th>INCH</th> </tr> <tr> <td>4 PLACES ±---</td> <td>±---</td> </tr> <tr> <td>3 PLACES ±---</td> <td>±---</td> </tr> <tr> <td>2 PLACES ±---</td> <td>±---</td> </tr> <tr> <td>1 PLACE ±---</td> <td>±---</td> </tr> </table>	mm	INCH	4 PLACES ±---	±---	3 PLACES ±---	±---	2 PLACES ±---	±---	1 PLACE ±---	±---	MM/IN	4:1	INCH	<input checked="" type="checkbox"/> THIRD ANGLE <input type="checkbox"/> FIRST ANGLE
	mm	INCH														
	4 PLACES ±---	±---														
3 PLACES ±---	±---															
2 PLACES ±---	±---															
1 PLACE ±---	±---															
DRAFT WHERE APPLICABLE MUST REMAIN WITHIN DIMENSIONS	DRAWN BY: ABENJAMINLW DATE: 2017/08/23 CHECKED BY: _____ DATE: _____ APPROVED BY: BRUPERT DATE: 2017/08/30 MATERIAL NO.	SEE CHART SIZE B	TITLE: 5.0MM, EURO PLUG, VERT, REAR WIRE ENTRY W/ SPCL IMPRINTING MOLEX INCORPORATED DOCUMENT NO. RSD-39523-001	SHEET NO. 1 OF 2												
THIS DRAWING CONTAINS INFORMATION THAT IS PROPRIETARY TO MOLEX INCORPORATED AND SHOULD NOT BE USED WITHOUT WRITTEN PERMISSION																

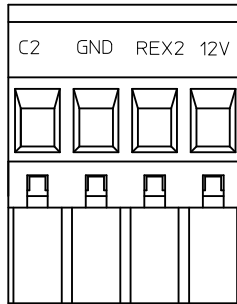
IMPRINTING CHART



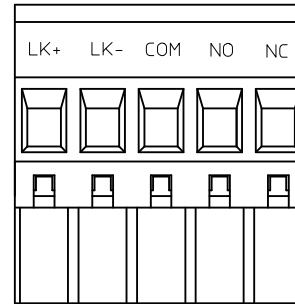
395239000



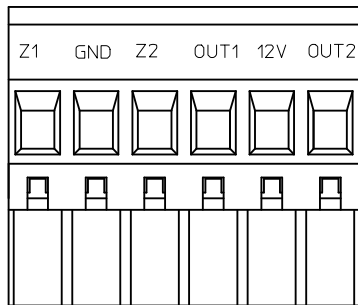
395239001



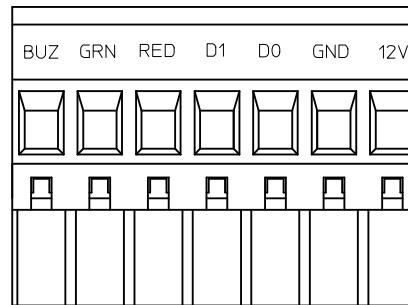
395239002



395239003



395239004



395239005

RPM-T201741599 EC NO: IPG2018-0096 DRWN: ABENJAMINLW 2017/08/23 CHKD: APPR: BRUPERT 2017/08/30	DESCRIPTION REV	QUALITY SYMBOLS	GENERAL TOLERANCES (UNLESS SPECIFIED)	DIMENSION STYLE MM/IN	SCALE 2:1	DESIGN UNITS INCH	THIRD ANGLE PROJECTION
		$F_A = 0$ $F_G = 0$ $F_P = 0$	mm    INCH 4 PLACES ± --- ± --- 3 PLACES ± --- ± --- 2 PLACES ± --- ± --- 1 PLACE ± --- ± --- 0 PLACE ±    ±	DRAWN BY    DATE ABENJAMINLW 2017/08/23 CHECKED BY    DATE	TITLE		
		ANGULAR ± --- ° DRAFT WHERE APPLICABLE MUST REMAIN WITHIN DIMENSIONS	APPROVED BY    DATE BRUPERT 2017/08/30 MATERIAL NO.	THIS DRAWING CONTAINS INFORMATION THAT IS PROPRIETARY TO MOLEX INCORPORATED AND SHOULD NOT BE USED WITHOUT WRITTEN PERMISSION			
		SEE CHART	5.0MM, EURO PLUG, VERT, REAR WIRE ENTRY W/ SPCL IMPRINTING <b>molex</b> RSD-39523-001	SHEET NO. 2 OF 2			



