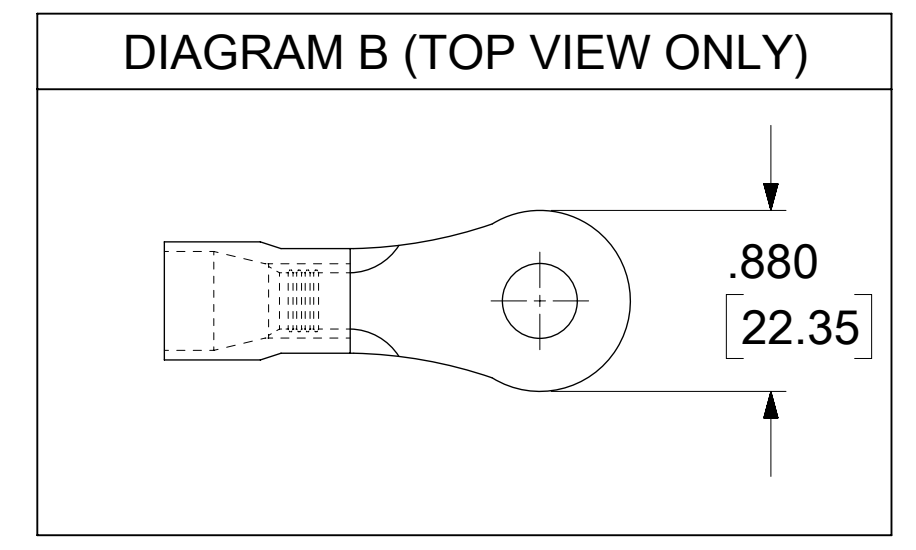
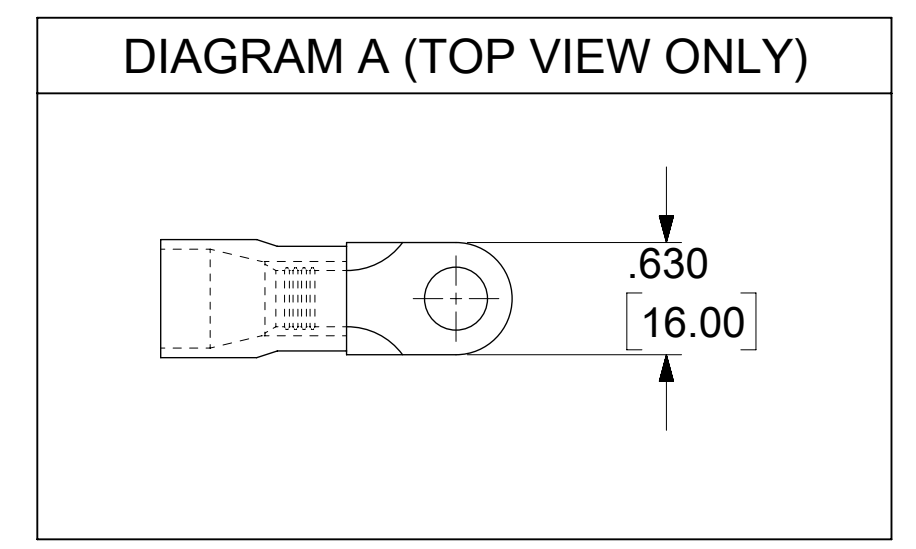
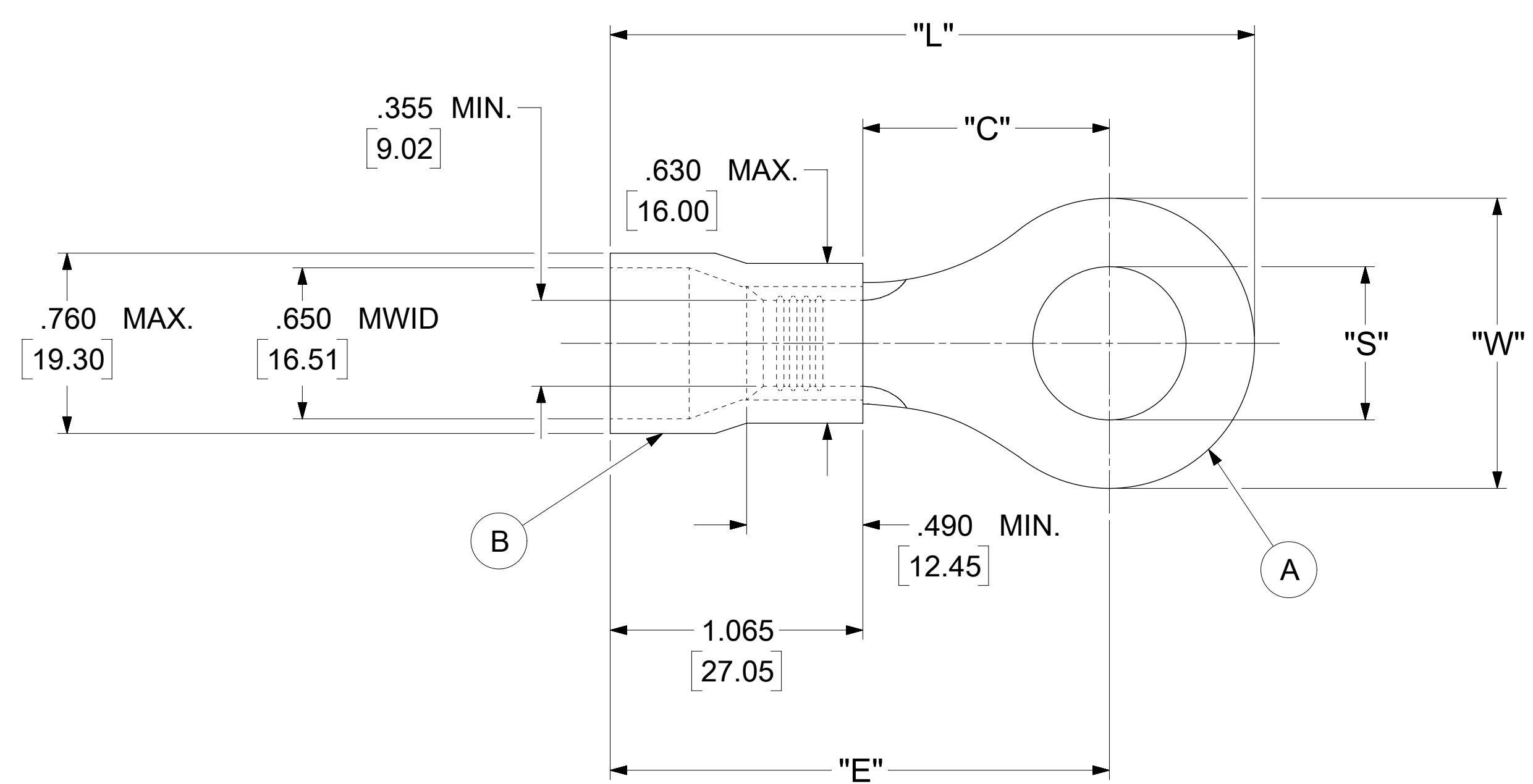


LOOSE PIECE		SPECIFICATIONS						
MATERIAL NUMBER	ENGINEERING NUMBER	STUD SIZE	"S" ±.005 [0.13]	"W" ±.013 [0.33]	"C" MIN.	"E" MAX.	"L" MAX.	DIAGRAM
190710272	G-674-12X	12	.515 [13.08]	.880 [22.35]	.693 [17.60]	1.803 [45.80]	2.234 [56.74]	B
190710273	G-674-14X	14	.265 [6.73]					
190710279	G-675-10X	10	.198 [5.03]	.630 [16.00]	.693 [17.60]	1.803 [45.80]	2.110 [53.59]	A
190710281	G-675-14X	14	.265 [6.73]					
190710283	G-675-38X	38	.390 [9.91]					
190710285	G-675-56X	56	.328 [8.33]					
190710289	G-676-12X	12	.515 [13.08]	.880 [22.35]	.990 [25.15]	2.090 [53.09]	2.527 [64.19]	B



- NOTES:
- MATERIAL:
    - (A). TERMINAL: COPPER (STOCK TKN .075[1.90])  
PLATING: ELECTRO-TIN (.0003 MIN.)
    - (B). INSULATION: MOLDED PVC (RED)
  - MWID: MAXIMUM WIRE INSULATION DIAMETER
  - WIRE SIZE: 2 AWG  
35 MM<sup>2</sup>
  - "UL" LISTING #E32244  
"CSA" LISTING #18689
  - ALL DIMENSIONS IN INCHES/[MM].
  - PARTS ARE ROHS COMPLIANT.
  - DIMS. SHOWN ARE FOR REFERENCE ONLY.

SYMBOLS	THIS DRAWING CONTAINS INFORMATION THAT IS PROPRIETARY TO MOLEX ELECTRONIC TECHNOLOGIES, LLC AND SHOULD NOT BE USED WITHOUT WRITTEN PERMISSION									
	DIMENSION UNITS		SCALE		CURRENT REV DESC: MIGRATION TO ECTR/NX					
	INCH/MM		NTS		EC NO: 620820 DRWN: ABENJAMINLW 2019/07/10 CHK'D: GROJAS01 2019/07/17 APPR: JMACNEIL 2019/08/06 INITIAL REVISION: DRWN: JTK 1970/01/21 APPR: JMACNEIL 2019/08/06					
GENERAL TOLERANCES (UNLESS SPECIFIED)										
		MM	INCH							
▽ = 0		4 PLACES	±	---	±	---				
▽ = 0		3 PLACES	±	---	±	.005				
▽ = 0		2 PLACES	±	0.13	±	.01				
▽ = 0		1 PLACE	±	0.25	±	---				
☒ = 0		0 PLACES	±	---	±	---				
■ = 0		ANGULAR TOL		± 0.5°						
▽ = 0		DRAFT WHERE APPLICABLE MUST REMAIN WITHIN DIMENSIONS		THIRD ANGLE PROJECTION		DRAWING		SERIES		
						D-SIZE		19071		
DOCUMENT NUMBER		DOC TYPE		DOC PART		REVISION				
190710272		PSD		000		A				
MATERIAL NUMBER		CUSTOMER		SHEET NUMBER						
SEE TABLE		GENERAL MARKET		1 OF 1						