

# Customer Information Sheet

DRAWING No.: S0911-46R

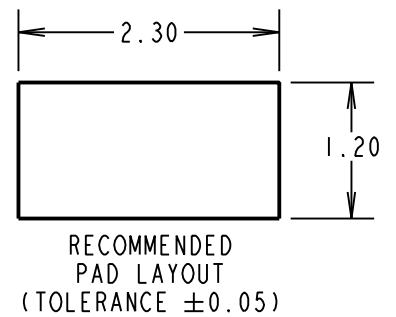
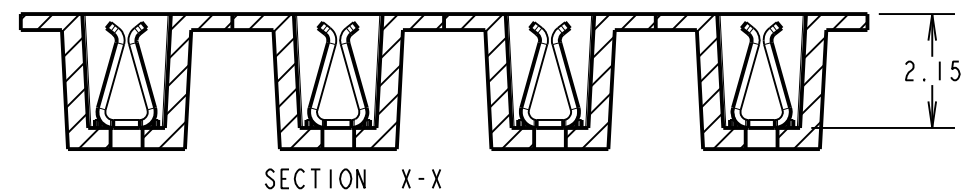
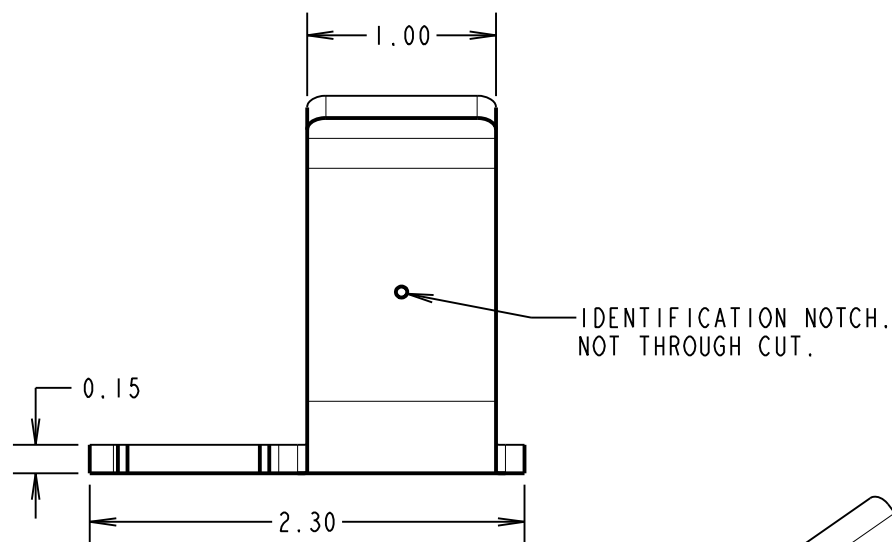
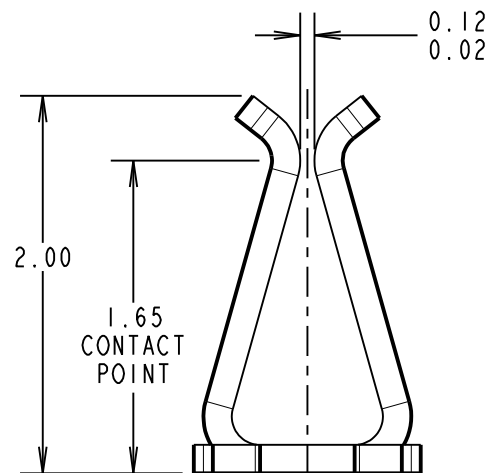
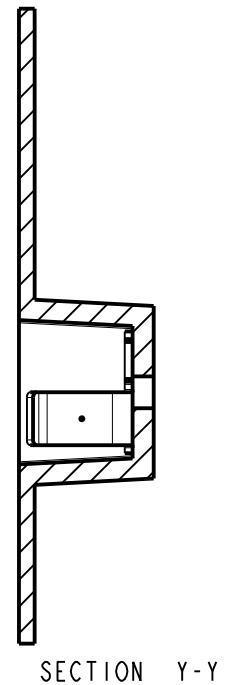
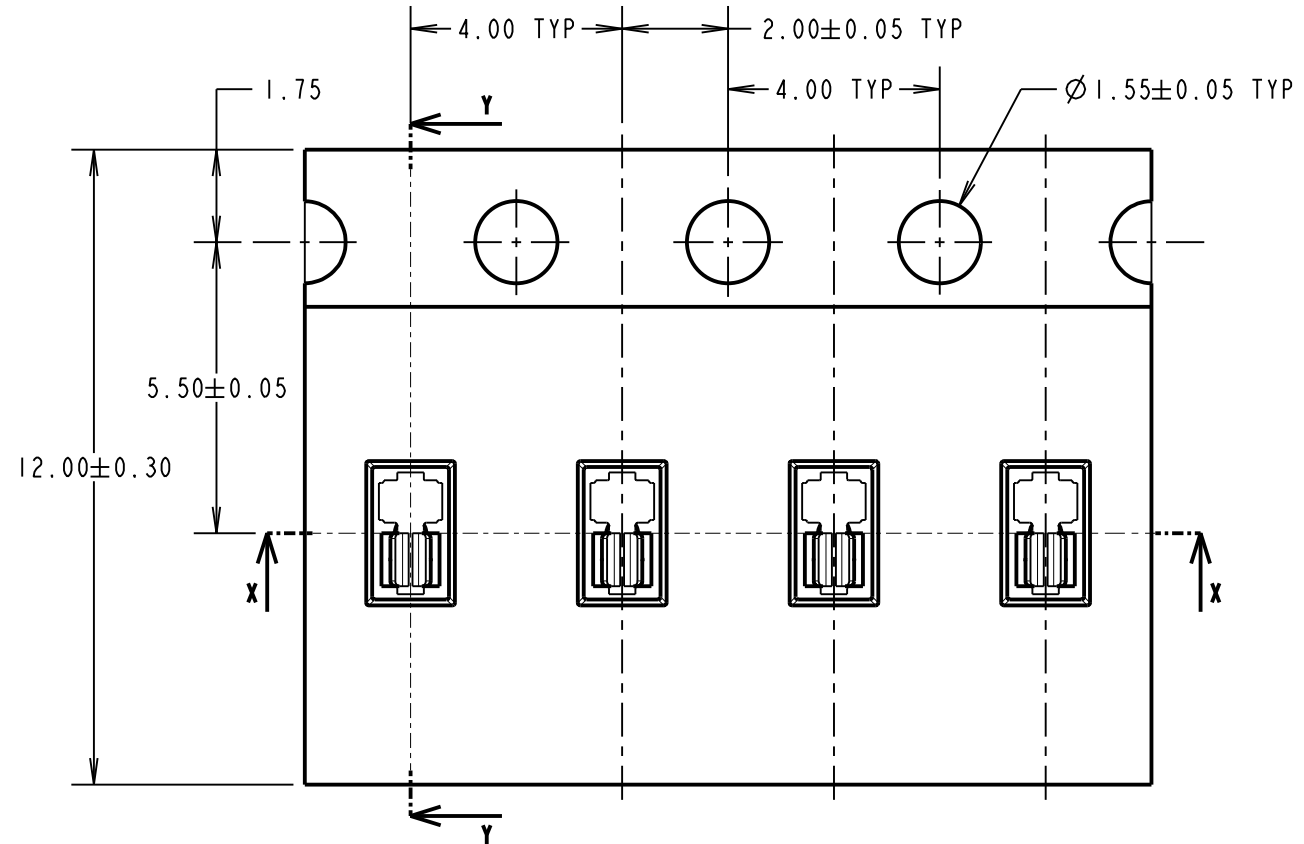
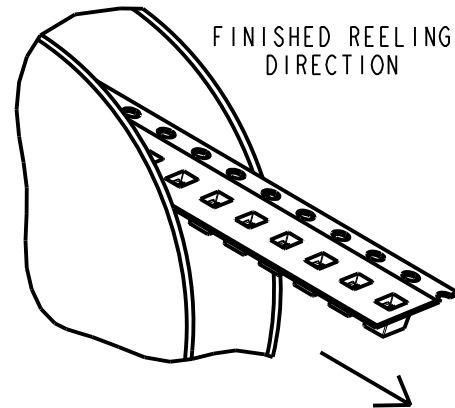
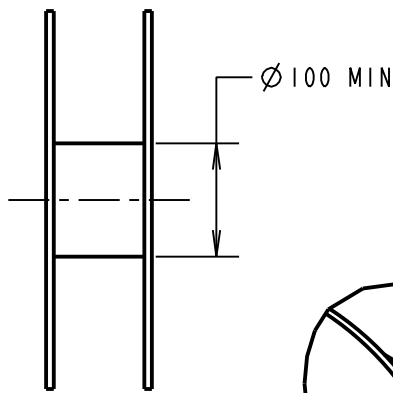
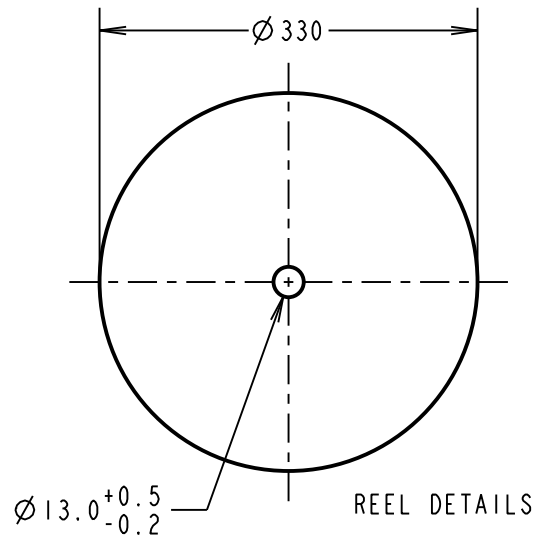
IF IN DOUBT - ASK

©

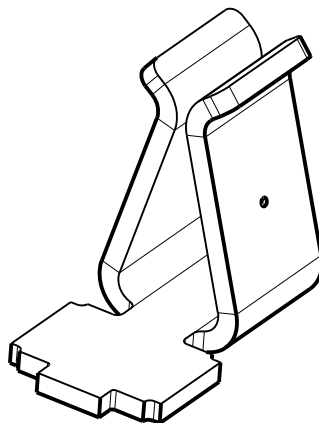
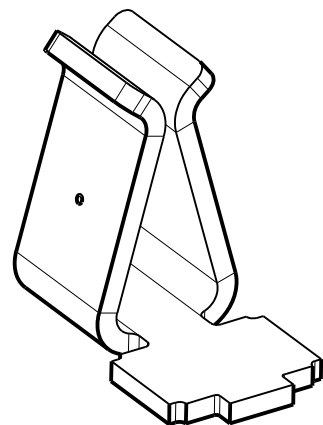
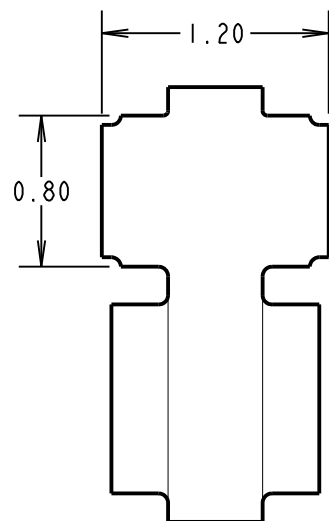
NOT TO SCALE

THIRD ANGLE PROJECTION

ALL DIMENSIONS IN mm



CROPPED COMPONENT DIMENSIONS



COMPONENT SPECIFICATION:  
 MATERIAL = BERYLLIUM COPPER  
 FINISH = 2.40µm - 3.60µm TIN OVER  
 2.00µm - 2.80µm NICKEL

ELECTRICAL:  
 CONTACT RESISTANCE = 25mΩ MAX

MECHANICAL:  
 MAX INSERTION FORCE WITH 0.20mm SHEET = 3.00N  
 MIN INSERTION FORCE WITH 0.20mm SHEET = 0.10N  
 MAX WITHDRAWAL FORCE WITH 0.20mm SHEET = 2.50N  
 MIN WITHDRAWAL FORCE WITH 0.20mm SHEET = 0.10N  
 DURABILITY = 20 CYCLES

ENVIRONMENTAL:  
 OPERATING TEMPERATURE = -55°C TO +105°C

- NOTES:
- QUANTITY OF COMPONENTS PER REEL: 6,500.
  - THIS PRODUCT IS TAPE AND REELED IN GENERAL ACCORDANCE WITH EIA-481-2 (ELECTRONICS INDUSTRIES ASSOCIATION).
  - RECOMMENDED CAN THICKNESS: 0.15-20mm.

MR	1	11.03.19	21823
NAME	ISS.	DATE	C/NOTE
APPROVED:		M. RUDKIN	
CHECKED:		S. BENNETT	
DRAWN:		S. BENNETT	
CUSTOMER REF.:			
ASSEMBLY DRG:			

**HARWIN**

www.harwin.com  
 technical@harwin.com

THIS DRAWING AND ANY INFORMATION OR DESCRIPTIVE MATTER SET OUT HEREON ARE CONFIDENTIAL AND COPYRIGHT PROPERTY OF THE HARWIN GROUP AND MUST NOT BE DISCLOSED, LOANED, COPIED OR USED FOR MANUFACTURING, TENDERING OR FOR ANY OTHER PURPOSE WITHOUT THEIR WRITTEN PERMISSION.

TOLERANCES  
 X. = ±1mm  
 X.X = ±0.50mm  
 X.XX = ±0.20mm  
 X.XXX = ±0.01mm  
 ANGLES = ±5°  
 UNLESS STATED

MATERIAL:  
 SEE ABOVE  
 FINISH: SEE ABOVE  
 S/AREA: mm<sup>2</sup>

TITLE:  
 COMPACT RFI SHIELD CLIP  
 IN TAPE AND REEL

DRAWING NUMBER:  
**S0911-46R**

SHT  
 2 OF 2