

RFPC-SMA14-FN: SMA Right Angle Bulkhead Jack With O-ring, PCB Connector, Rated to IP67/68

Material and Plating:

- Insulator A: Teflon
- Insulator B: Teflon
- Insulator C: Teflon
- Body A: Brass, Gold Plated
- Body B: Brass, Gold Plated
- Pin A: Be Cu, Gold Plated
- Pin B: Brass, Gold Plated
- Gasket: Silicon, Color: Red
- O-Ring: Silicone, Color: Red
- Cap: Brass, Gold Plated

Washer: Brass, Gold Plated

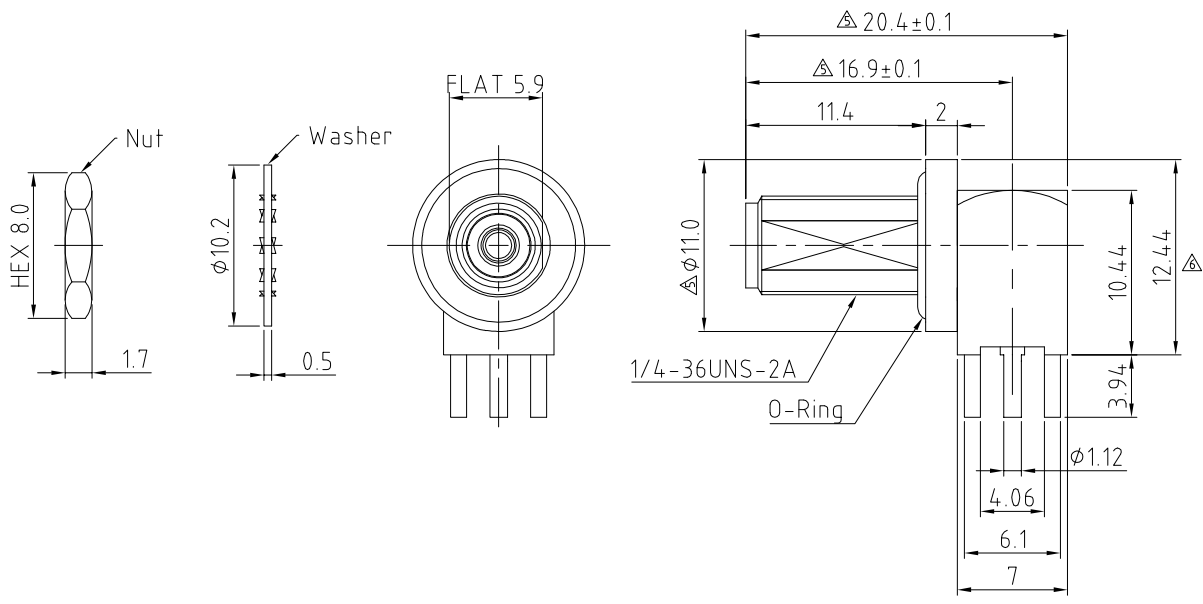
Nut: Brass, Gold Plated

Environmental:

- A. Tested to:
  - i. IP6x - Dust tight - no particle ingress.
  - ii. IPx7 Waterproof for 30 minutes up to 1 meter underwater.
  - iii. IPx8 Waterproof for 48 hours at 1 meter underwater.

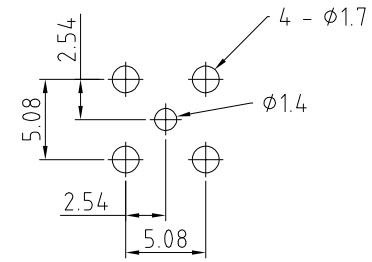
Notes:

1. Packaging Type: 160pcs/Tray.
2. Working Frequency Range: DC-3GHz.
3. Operating Temperature: -55°C~+155°C.
4. Impedance: 50 ohm.

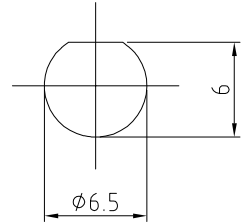


HOW TO ORDER  
RFPC - SMA14 - FN - X

WASHER AND NUT OPTIONS:  
BLANK = SEPARATELY PACKED (STANDARD)  
A = ALL ASSEMBLED WITH CONNECTOR



Recommended PCB Hole Layout



Recommended Mounting Hole

|                    |                              |
|--------------------|------------------------------|
| REV. DATE & DRN    | TO:06/17/17 - NYW RELEASE    |
| 11. 27/11/17 - NYW | ADD ENVIRONMENTAL INFO.      |
| 12. 17/07/17 - NYW | RELEASE OFFICIAL DRAWING.    |
| 13. 18/02/19 - NYW | ADD WASHER & NUT OPTIONS.    |
| 14. 24/05/19 - NYW | ADD OPERATING TEMP.          |
| 15. 25/11/19 - NYW | ADD UNSTATED TOLERANCE.      |
| 16. 13/01/23 - NYW | ADD TOLERANCE TO DIMENSIONS. |
| 16. 13/01/23 - NYW | ADD DIMENSION.               |
| 17. 14/02/23 - NYW | ADD IMPEDANCE.               |

|                  |                         |   |
|------------------|-------------------------|---|
| Scale: NTS       | THIRD ANGLE             | Unstated Tolerances:<br>X ±0.20<br>.XX ±0.10<br>XXX ±0.06<br>ANGLES ±2° |
| Drawn: NYW       |                         |   |
| App'd: XXX       | Title SMA PCB Connector |   |
| Date: 14 FEB '23 | Revision: 1.7           | Unit: mm  |

IP67/68 Rated Cables

www.gradconn.com

© THIS DRAWING IS CONFIDENTIAL AND MUST NOT BE COPIED OR DISCLOSED WITHOUT WRITTEN CONSENT

|                     |
|---------------------|
| Type: RFPC-SMA14-FN |
| RFPC-SMA14-FN       |
| Drawing Number:     |
| Sheet 1 of 1        |
| Drawing © E and O E |