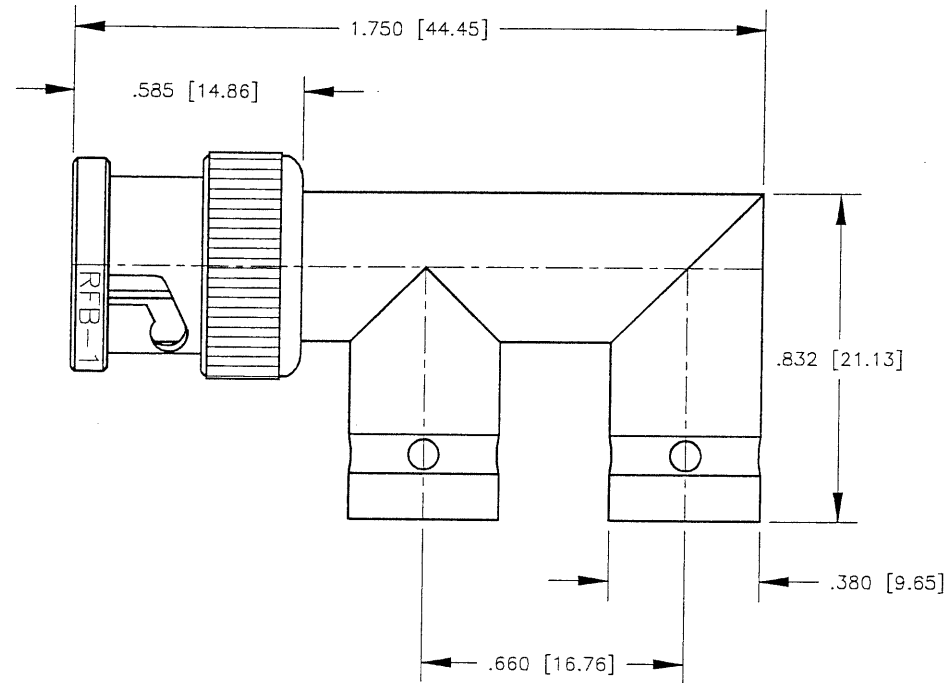


SPECIFICATION CONTROL DRAWING

THIS DRAWING CONTAINS INFORMATION PROPRIETARY TO RF INDUSTRIES, LTD. ANY UNAUTHORIZED USE OF THIS DRAWING IS EXPRESSLY PROHIBITED. ANY VIOLATION IS PUNISHABLE UNDER U.S. COPYRIGHT LAWS.

REV	DESCRIPTION	DWN	DATE	APPROVED
A	ENGINEERING RELEASE	KMM	3/4/94	<i>CJ</i>



SPECIFICATIONS:

MUST MAINTAIN 75 OHM IMPEDANCE
 VOLTAGE RATING: 500 VOLTS RMS
 FREQUENCY RANGE: 0-4 GHz

DIMENSIONS ARE IN INCHES
 OVER MILLIMETERS.
 UNLESS OTHERWISE NOTED
 TOLERANCES ARE:
 DECIMALS ANGLES

RF connectors
 DIVISION OF RF INDUSTRIES, LTD.

7620 MIRAMAR RD
 SAN DIEGO, CA 92126
 (619)549-6340
 (619)549-6345 FAX

ITEM	DESCRIPTION	QTY	MATERIAL	FINISH
6	SHELL	1	BRASS	NICKEL
	DIELECTRIC	2	DELTRIN	NONE
	DIELECTRIC	1	DELTRIN	NONE
	CONTACT	2	BRASS	GOLD
	PIN	1	BRASS	GOLD
1	BODY	1	BRASS	NICKEL

DRAWN	K. MAXWELL	3/4/94
CHECKED	<i>C. Jones</i>	3/4/94
ISSUED	H. HILL	3/4/94
ORJ DRAWN	K. MAXWELL	3/4/94
APPROVALS	DATE	

RFB-1730-3

BNC MALE TO DOUBLE BNC FEMALE "F" CONNECTOR

SIZE	CABLE GROUP	DWG NO.	REV
A	N/A	E8308A	A
SCALE: 2:1	CAD FILE	SHEET 1 OF 1	
	ARC137\8308A		