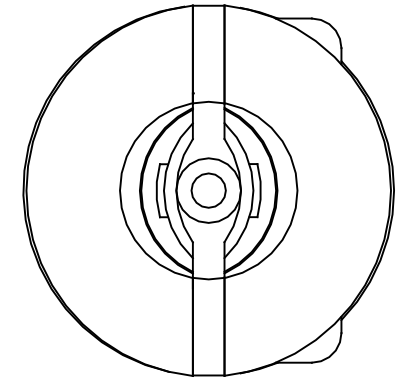
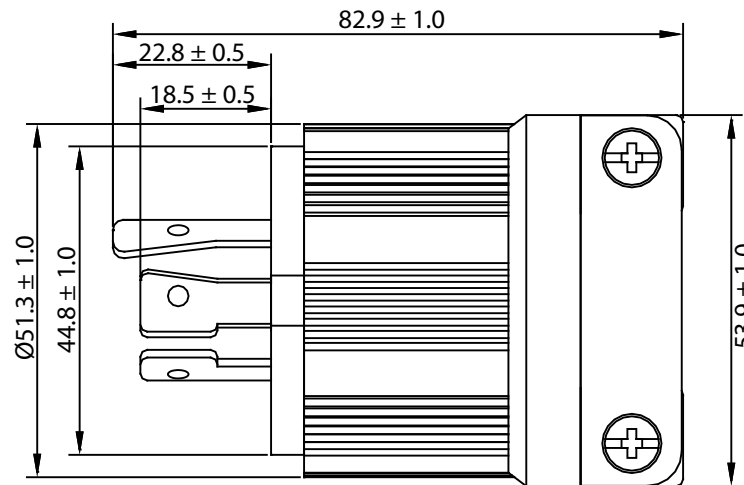
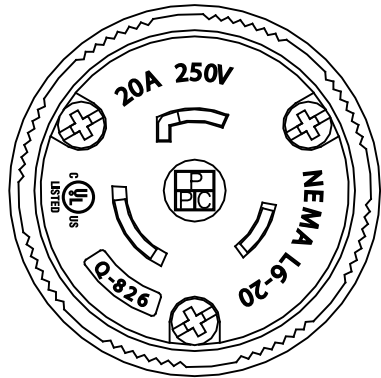


THESE DRAWINGS ARE THE PROPERTY OF QUALTEK ELECTRONICS AND NOT TO BE REPRODUCED FOR OR COMMUNICATED TO A THIRD PARTY WITHOUT THE EXPRESS WRITTEN PERMISSION OF AN OFFICER OF QUALTEK ELECTRONICS.

REVISION			
REV.	DESCRIPTION	DATE	APPROVED



CONTROLLED

NOTES:

1. RATING: 20A 250VAC
2. COLOR: BLACK
3. CORD CLAMP: ACCEPTS 12/3 - 8/4 CABLE
4. APPROVALS: UL/cUL LISTED: E139592
5. ROHS COMPLIANT

Dim range (mm)		Tolerance +/- (mm)		Qualtek Electronics Corp. PPC DIVISION		
0-1		0.15		Part Number: Q-826 RoHS Compliant		
1-6		0.20		Description: NEMA L6-20P TWIST-LOCK DEVICE		
6-18		0.30		UNIT: mm		
18-50		0.50		Drawn / Date Checked / Date Approved / Date		
50-120		0.70		R.Nuti 08-25-09 LY / 08-25-09		
120-250		0.90				
250-500		1.20				