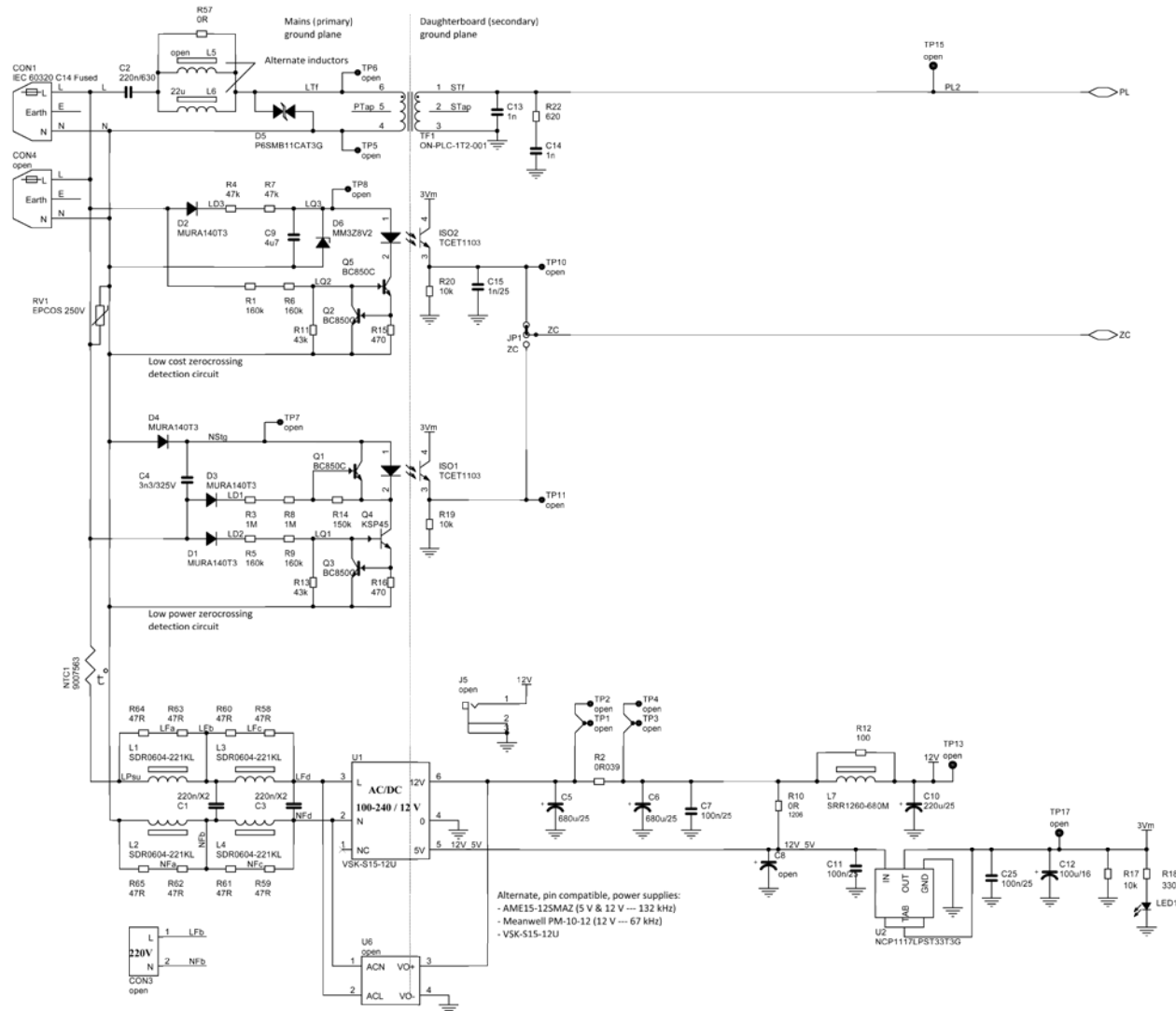
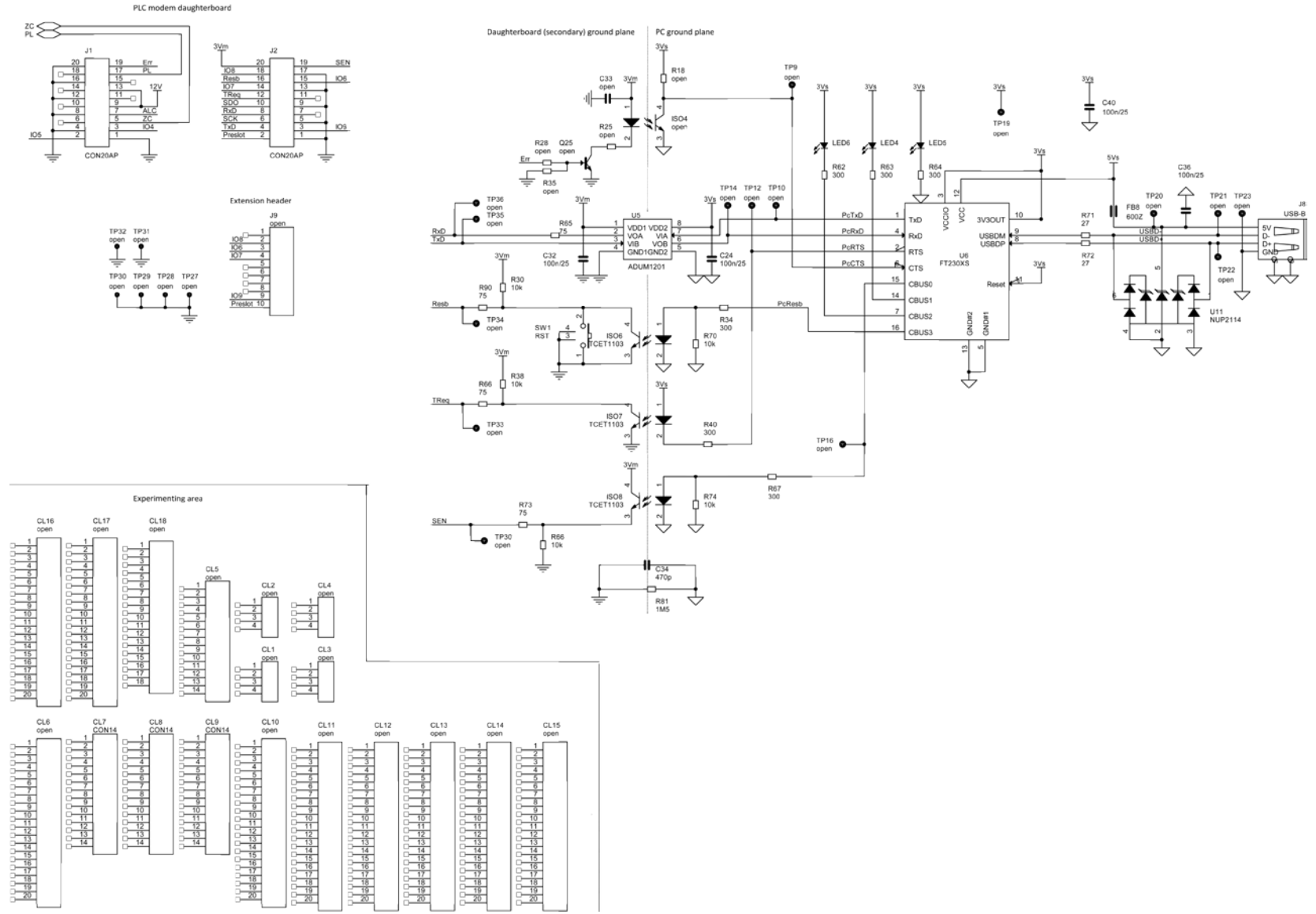


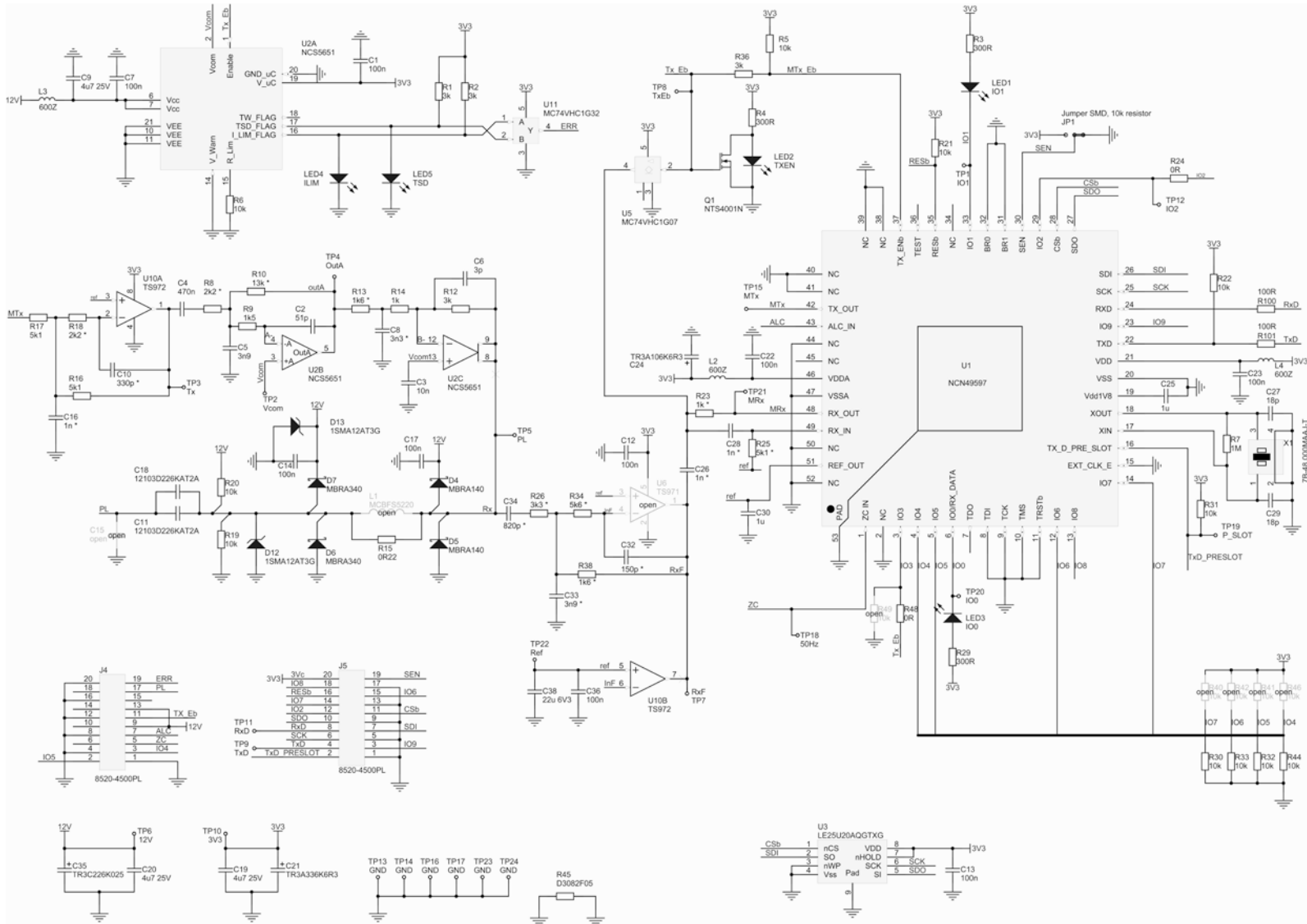
## Schematic for the NCN49597ID11GEVK Evaluation Kit



Motherboard Schematic Image 1



Motherboard Schematic Image 2



Daughterboard Schematic Image 1