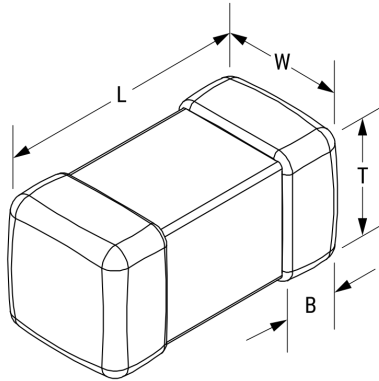


L0805CR22MSMST

Aliases (L0805CR22MSMST)

Obsolete

KEMET, L-SMS, Commercial Grade, 0.22 uH, 20%



Click [here](#) for the 3D model.

Dimensions

Chip Size	0805
L	2mm +0.3/-0.1mm
W	1.25mm +/-0.2mm
T	0.85mm +/-0.2mm
LL	0.5mm +/-0.2mm
B	0.5mm +/-0.2mm

Packaging Specifications

Packaging	T&R
Packaging Quantity	4000

General Information

Series	L-SMS
Style	SMD Chip
Description	Shielded, Surface Mount Inductor
Features	Standard Type
RoHS	Yes
Core	Ceramic
Winding Type	Multilayer
Notes	Suggested Replacement - https://www.chilisin.com/en-global/Inductor/Product/BSCL_201209/BSCL00201209R22K00 .

Specifications

Inductance	0.22 uH
Inductance Tolerance	20%
Temperature Range	-40/+85°C
Current	250 mAmps (MAX)
DC Resistance	0.5 Ohms
Quality Factor	20 at 25 MHz
Self-Resonant Frequency	170 MHz