



TE Connectivity

Product Change Notification: E-20-002579

PCN Date: 10-JUN-20

TE would like to inform you of the following change(s) to the listed TE Connectivity Product. In case of any further questions about this change(s), please contact your TE Connectivity Sales Engineer. Affected part, drawing and/or specification numbers are listed on the attached sheet(s).

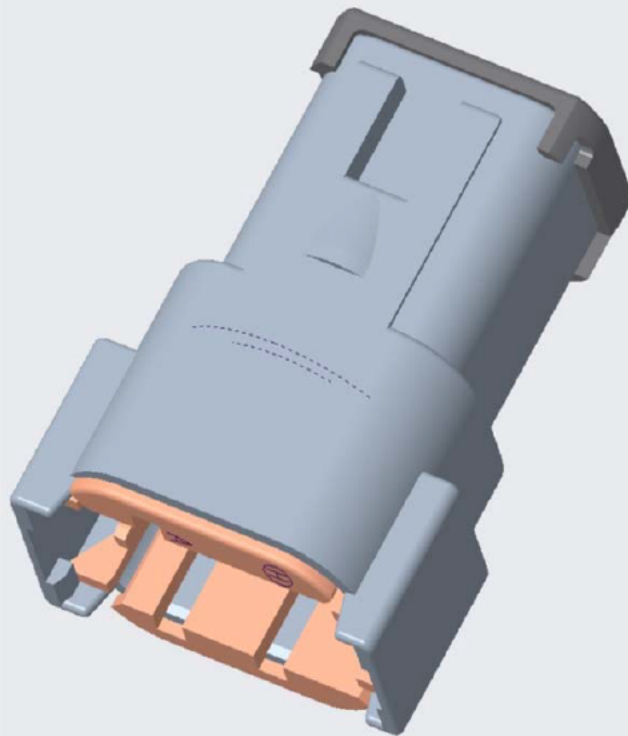
General Product Description:

DEUTSCH DTM04-08PX-EE08, DTM06-08SX-EE08, DTM04-08PX-E003, DTM06-08SX-E003, DTM04-08PX-E005 WELD CAP DESIGN CHANGE.

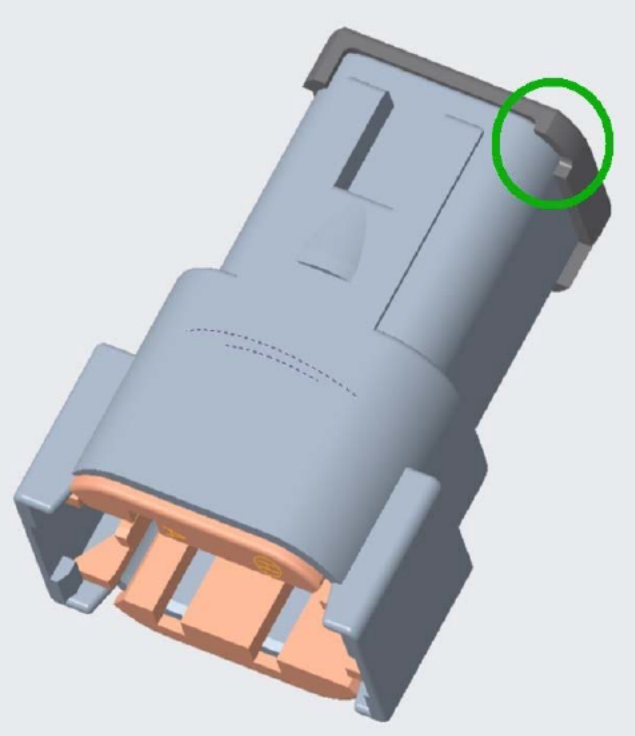
Description of Changes

The Industrial and Commercial Transportation business unit of TE Connectivity is making a change to modify the weld cap design for the part numbers listed below. Product drawings are affected.

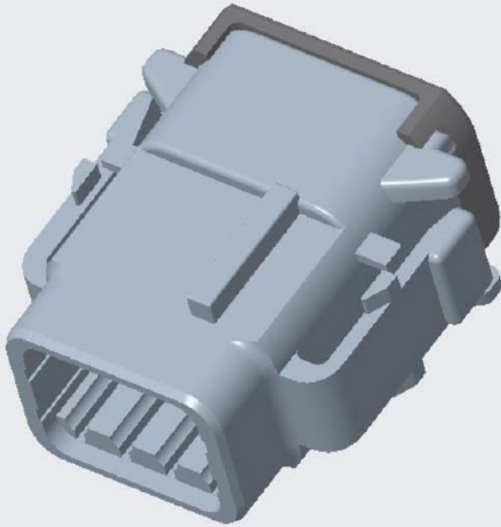
DTM04 - BEFORE



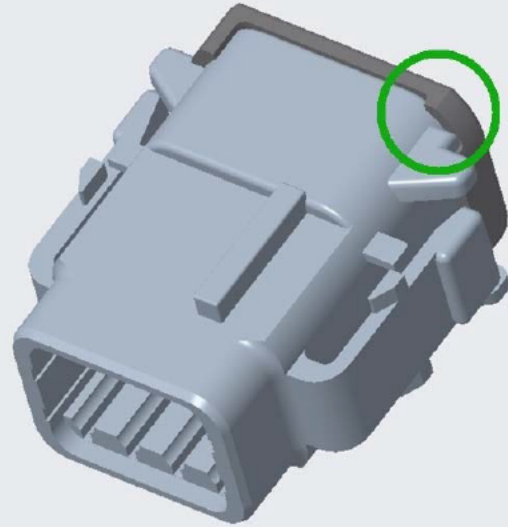
DTM04 - AFTER



DTM06 - BEFORE



DTM06 - AFTER

**Reason for Changes:**

Product Improvement. Dear Customer, we hereby inform you of this aesthetic change. The change is necessary to eliminate the possibility of having a broken leg on the weld cap used on DTM family as shown in the pictures below. The change does not impact performance. **IMPORTANT:** The current and previous revisions of these parts can be used interchangeably in the field. The change is being phased in gradually and previous revision can remain stocked until use. Shipments of both configurations may be mixed.

Estimated Dates:

Last Order Date (Obsolete Parts Only):	First Date To Ship (Changed Parts Only):
	18-SEP-2020
Last Ship Date (Obsolete Parts Only):	Last Date for Mixed Shipments: (Changed Parts Only):
	03-JUN-2025

Part Number(s) being Modified:

Part Number	Part Discontinued per PCN	Customer Drawing	Customer Part Number	Alias Part Number(s)	Substitute Part Number	Substitute Alias Part Number(s)	Description Of Difference
DTM04-08PA-E003	NO			"ZPF000000000130393"			
DTM04-08PA-E005	NO			"ZPF000000000130394"			

The documents listed below are being modified. Related parts that are not explicitly listed on this PCN are not being modified or discontinued as per the PCN. The Last Order Date, Last Ship Date, First Date to Ship Changed Parts and last date for Mixed Shipments apply only to parts explicitly listed on this PCN.

Customer Drawing(s) Being Modified:

Drawing Number	Related Part Number	Customer Part Number	Current Revision	New Revision
DTM04-08PX-E003	DTM04-08PA-E003		B	
DTM04-08PX-E005	DTM04-08PA-E005		-	
DTM06-08SX-E003	2289630-1		A1	

Part Number(s) being Modified:

Part Number	Part Discontinued per PCN	Customer Drawing	Customer Part Number	Alias Part Number(s)	Substitute Part Number	Substitute Alias Part Number(s)	Description Of Difference
DTM04-08PA-E003	NO			"ZPF000000000130393"			

The documents listed below are being modified. Related parts that are not explicitly listed on this PCN are not being modified or discontinued as per the PCN. The Last Order Date, Last Ship Date, First Date to Ship Changed Parts and last date for Mixed Shipments apply only to parts explicitly listed on this PCN.

Customer Drawing(s) Being Modified:

Drawing Number	Related Part Number	Customer Part Number	Current Revision	New Revision
DTM04-08PX-E003	DTM04-08PA-E003		B	
DTM06-08SX-E003	2289630-1		A1	

Part Number(s) being Modified:

Part Number	Part Discontinued per PCN	Customer Drawing	Customer Part Number	Alias Part Number(s)	Substitute Part Number	Substitute Alias Part Number(s)	Description Of Difference
DTM04-08PA-E003	NO			"ZPF00000000130393"			
DTM04-08PA-E005	NO			"ZPF00000000130394"			

The documents listed below are being modified. Related parts that are not explicitly listed on this PCN are not being modified or discontinued as per the PCN. The Last Order Date, Last Ship Date, First Date to Ship Changed Parts and last date for Mixed Shipments apply only to parts explicitly listed on this PCN.

Customer Drawing(s) Being Modified:

Drawing Number	Related Part Number	Customer Part Number	Current Revision	New Revision
DTM04-08PX-E003	DTM04-08PA-E003		B	
DTM04-08PX-E005	DTM04-08PA-E005		-	

Part Number(s) being Modified:

Part Number	Part Discontinued per PCN	Customer Drawing	Customer Part Number	Alias Part Number(s)	Substitute Part Number	Substitute Alias Part Number(s)	Description Of Difference
DTM04-08PA-E003	NO			"ZPF00000000130393"			
DTM04-08PA-E005	NO			"ZPF00000000130394"			