

# DRV8701 Brushed DC Motor Full-Bridge Gate Driver

## 1 Features

- Single H-Bridge Gate Driver
  - Drives Four External N-Channel MOSFETs
  - Supports 100% PWM Duty Cycle
- 5.9-V to 45-V Operating Supply Voltage Range
- Two Control Interface Options
  - PH/EN (DRV8701E)
  - PWM (DRV8701P)
- Adjustable Gate Drive (5 Levels)
  - 6-mA to 150-mA Source Current
  - 12.5-mA to 300-mA Sink Current
- Supports 1.8-V, 3.3-V, and 5-V Logic Inputs
- Current Shunt Amplifier (20 V/V)
- Integrated PWM Current Regulation
  - Limits Motor Inrush Current
- Low-Power Sleep Mode (9  $\mu$ A)
- Two LDO Voltage Regulators to Power External Components
  - AVDD: 4.8 V, up to 30-mA Output Load
  - DVDD: 3.3 V, up to 30-mA Output Load
- Small Package and Footprint
  - 24-Pin VQFN (PowerPAD™)
  - 4.0 × 4.0 × 0.9 mm
- Protection Features:
  - VM Undervoltage Lockout (UVLO)
  - Charge Pump Undervoltage (CPUV)
  - Overcurrent Protection (OCP)
  - Pre-Driver Fault (PDF)
  - Thermal Shutdown (TSD)
  - Fault Condition Output (nFAULT)

## 2 Applications

- Industrial Brushed-DC Motors
- Robotics
- Home Automation
- Industrial Pumps and Valves
- Power Tools
- Handheld Vacuum Cleaners

## 3 Description

The DRV8701 is a single H-bridge gate driver that uses four external N-channel MOSFETs targeted to drive a 12-V to 24-V bidirectional brushed DC motor.

A PH/EN (DRV8701E) or PWM (DRV8701P) interface allows simple interfacing to controller circuits. An internal sense amplifier allows for adjustable current control. The gate driver includes circuitry to regulate the winding current using fixed off-time PWM current chopping.

DRV8701 drives both high- and low-side FETs with 9.5-V  $V_{GS}$  gate drive. The gate drive current for all external FETs is configurable with a single external resistor on the IDRIVE pin.

A low-power sleep mode is provided which shuts down internal circuitry to achieve very-low quiescent current draw. This sleep mode can be set by taking the nSLEEP pin low.

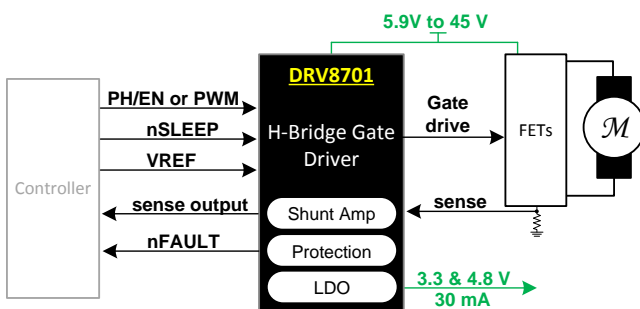
Internal protection functions are provided: undervoltage lockout, charge pump faults, overcurrent shutdown, short-circuit protection, predriver faults, and overtemperature. Fault conditions are indicated on the nFAULT pin.

### Device Information<sup>(1)</sup>

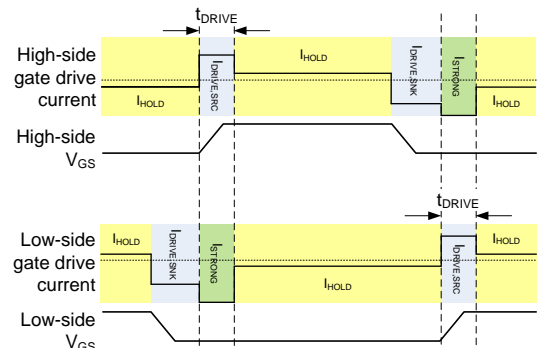
| PART NUMBER | PACKAGE   | BODY SIZE (NOM)       |
|-------------|-----------|-----------------------|
| DRV8701     | VQFN (24) | 4.00 × 4.00 × 0.90 mm |

(1) For all available packages, see the orderable addendum at the end of the data sheet.

### Simplified System Block Diagram



### Gate-Drive Current



## Table of Contents

|                                                |           |                                                                  |           |
|------------------------------------------------|-----------|------------------------------------------------------------------|-----------|
| <b>1 Features</b> .....                        | <b>1</b>  | 7.4 Device Functional Modes.....                                 | <b>26</b> |
| <b>2 Applications</b> .....                    | <b>1</b>  | <b>8 Application and Implementation</b> .....                    | <b>28</b> |
| <b>3 Description</b> .....                     | <b>1</b>  | 8.1 Application Information.....                                 | <b>28</b> |
| <b>4 Revision History</b> .....                | <b>2</b>  | 8.2 Typical Applications .....                                   | <b>28</b> |
| <b>5 Pin Configuration and Functions</b> ..... | <b>3</b>  | <b>9 Power Supply Recommendations</b> .....                      | <b>32</b> |
| <b>6 Specifications</b> .....                  | <b>5</b>  | 9.1 Bulk Capacitance Sizing .....                                | <b>32</b> |
| 6.1 Absolute Maximum Ratings .....             | <b>5</b>  | <b>10 Layout</b> .....                                           | <b>33</b> |
| 6.2 ESD Ratings.....                           | <b>5</b>  | 10.1 Layout Guidelines .....                                     | <b>33</b> |
| 6.3 Recommended Operating Conditions.....      | <b>5</b>  | 10.2 Layout Example .....                                        | <b>33</b> |
| 6.4 Thermal Information .....                  | <b>6</b>  | <b>11 Device and Documentation Support</b> .....                 | <b>34</b> |
| 6.5 Electrical Characteristics.....            | <b>7</b>  | 11.1 Documentation Support .....                                 | <b>34</b> |
| 6.6 Typical Characteristics .....              | <b>9</b>  | 11.2 Community Resources.....                                    | <b>34</b> |
| <b>7 Detailed Description</b> .....            | <b>12</b> | 11.3 Trademarks .....                                            | <b>34</b> |
| 7.1 Overview .....                             | <b>12</b> | 11.4 Electrostatic Discharge Caution.....                        | <b>34</b> |
| 7.2 Functional Block Diagram .....             | <b>13</b> | 11.5 Glossary .....                                              | <b>34</b> |
| 7.3 Feature Description.....                   | <b>14</b> | <b>12 Mechanical, Packaging, and Orderable Information</b> ..... | <b>34</b> |

## 4 Revision History

NOTE: Page numbers for previous revisions may differ from page numbers in the current version.

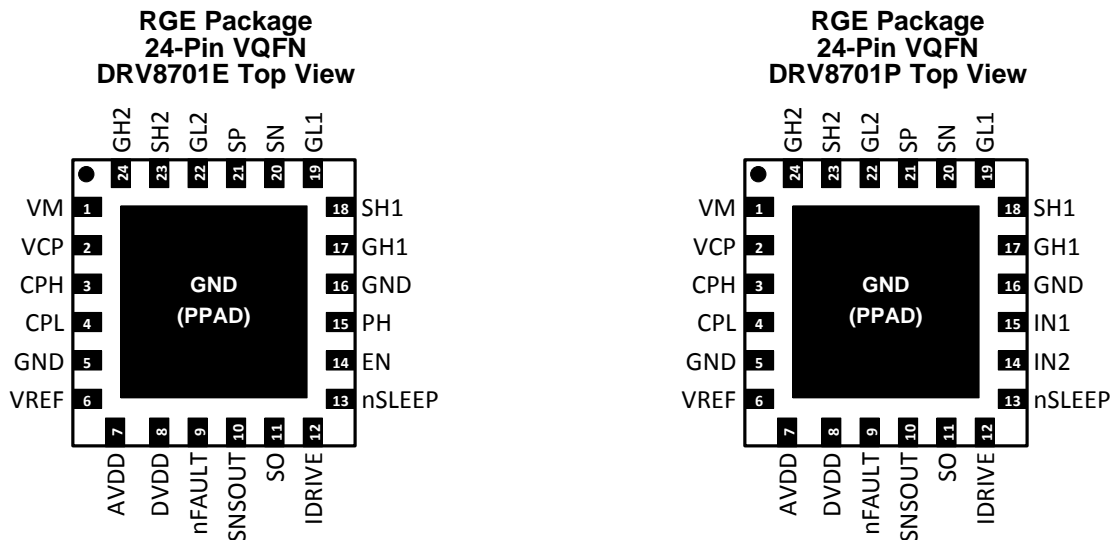
### Changes from Revision A (May 2015) to Revision B Page

- Updated test conditions for  $I_{DRIVE,SNK}$  and corrected TYP values ..... **8**

### Changes from Original (March 2015) to Revision A Page

- Updated device status to production data ..... **1**

## 5 Pin Configuration and Functions



### DRV8701E (PH/EN)

| PIN  |     | TYPE  | DESCRIPTION         |                                                                        |
|------|-----|-------|---------------------|------------------------------------------------------------------------|
| NAME | NO. |       |                     |                                                                        |
| EN   | 14  | Input | Bridge enable input | Logic low places the bridge in brake mode; see <a href="#">Table 1</a> |
| PH   | 15  | Input | Bridge phase input  | Controls the direction of the H-bridge; see <a href="#">Table 1</a>    |

### DRV8701P (PWM)

| PIN  |     | TYPE  | DESCRIPTION      |                                                                   |
|------|-----|-------|------------------|-------------------------------------------------------------------|
| NAME | NO. |       |                  |                                                                   |
| IN1  | 15  | Input | Bridge PWM input | Logic controls the state of H-bridge; see <a href="#">Table 2</a> |
| IN2  | 14  | Input |                  |                                                                   |

### Common Pins

| PIN    |      | TYPE  | DESCRIPTION                    |                                                                                                                                                                                             |
|--------|------|-------|--------------------------------|---------------------------------------------------------------------------------------------------------------------------------------------------------------------------------------------|
| NAME   | NO.  |       |                                |                                                                                                                                                                                             |
| VM     | 1    | Power | Power supply                   | Connect to motor supply voltage; bypass to GND with a 0.1- $\mu$ F ceramic plus a 10- $\mu$ F minimum capacitor rated for VM; additional capacitance may be required based on drive current |
| GND    | 5    | Power | Device ground                  | Must be connected to ground                                                                                                                                                                 |
|        | 16   |       |                                |                                                                                                                                                                                             |
|        | PPAD |       |                                |                                                                                                                                                                                             |
| VCP    | 2    | Power | Charge pump output             | Connect a 16-V, 1- $\mu$ F ceramic capacitor to VM                                                                                                                                          |
| CPH    | 3    | Power | Charge pump switching nodes    | Connect a 0.1- $\mu$ F X7R capacitor rated for VM between CPH and CPL                                                                                                                       |
| CPL    | 4    |       |                                |                                                                                                                                                                                             |
| DVDD   | 8    | Power | Logic regulator                | 3.3-V logic supply regulator; bypass to GND with a 6.3-V, 1- $\mu$ F ceramic capacitor                                                                                                      |
| AVDD   | 7    | Power | Analog regulator               | 4.8-V analog supply regulator; bypass to GND with a 6.3-V, 1- $\mu$ F ceramic capacitor                                                                                                     |
| nSLEEP | 13   | Input | Device sleep mode              | Pull logic low to put device into a low-power sleep mode with FETs High-Z; internal pulldown                                                                                                |
| IDRIVE | 12   | Input | Gate drive current setting pin | Resistor value or voltage forced on this pin sets the gate drive current; see applications section for more details                                                                         |

**Common Pins (continued)**

| PIN    |     | TYPE       | DESCRIPTION                    |                                                                                                                               |
|--------|-----|------------|--------------------------------|-------------------------------------------------------------------------------------------------------------------------------|
| NAME   | NO. |            |                                |                                                                                                                               |
| VREF   | 6   | Input      | Analog reference input         | Controls the current regulation; apply a voltage between 0.3 V and AVDD                                                       |
| nFAULT | 9   | Open Drain | Fault indication pin           | Pulled logic low with fault condition; open-drain output requires an external pullup                                          |
| SNSOUT | 10  | Open Drain | Sense comparator output        | Pulled logic low when the drive current hits the current chopping threshold; open-drain output requires an external pullup    |
| SO     | 11  | Output     | Shunt amplifier output         | Voltage on this pin is equal to the SP voltage times $A_V$ plus an offset; place no more than 1 nF of capacitance on this pin |
| SN     | 20  | Input      | Shunt amplifier negative input | Connect to SP through current sense resistor and to GND                                                                       |
| SP     | 21  | Input      | Shunt amplifier positive input | Connect to low-side FET source and to SN through current sense resistor                                                       |
| GH1    | 17  | Output     | High-side gate                 | Connect to high-side FET gate                                                                                                 |
| GH2    | 24  |            |                                |                                                                                                                               |
| GL1    | 19  | Output     | Low-side gate                  | Connect to low-side FET gate                                                                                                  |
| GL2    | 22  |            |                                |                                                                                                                               |
| SH1    | 18  | Input      | Phase node                     | Connect to high-side FET source and low-side FET drain                                                                        |
| SH2    | 23  |            |                                |                                                                                                                               |

**External Passive Components**

| COMPONENT    | PIN 1              | PIN 2  | RECOMMENDED                                                  |
|--------------|--------------------|--------|--------------------------------------------------------------|
| $C_{VM1}$    | VM                 | GND    | 0.1- $\mu$ F ceramic capacitor rated for VM                  |
| $C_{VM2}$    | VM                 | GND    | $\geq 10$ - $\mu$ F capacitor rated for VM                   |
| $C_{VCP}$    | VCP                | VM     | 16-V, 1- $\mu$ F ceramic capacitor                           |
| $C_{SW}$     | CPH                | CPL    | 0.1- $\mu$ F X7R capacitor rated for VM                      |
| $C_{DVDD}$   | DVDD               | GND    | 6.3-V, 1- $\mu$ F ceramic capacitor                          |
| $C_{AVDD}$   | AVDD               | GND    | 6.3-V, 1- $\mu$ F ceramic capacitor                          |
| $R_{IDRIVE}$ | IDRIVE             | GND    | See <a href="#">Typical Applications</a> for resistor sizing |
| $R_{nFAULT}$ | VCC <sup>(1)</sup> | nFAULT | $\geq 10$ -k $\Omega$ pullup                                 |
| $R_{SNSOUT}$ | VCC <sup>(1)</sup> | SNSOUT | $\geq 10$ -k $\Omega$ pullup                                 |
| $R_{SENSE}$  | SP                 | SN/GND | Optional low-side sense resistor                             |

- (1) VCC is not a pin on the DRV8701, but a VCC supply voltage pullup is required for open-drain outputs nFAULT and SNSOUT. The system controller supply can be used for this pullup voltage, or these pins can be pulled up to either AVDD or DVDD.

**External FETs**

| Component | Gate | Drain | Source    | Recommended                                                                                              |
|-----------|------|-------|-----------|----------------------------------------------------------------------------------------------------------|
| $Q_{HS1}$ | GH1  | VM    | SH1       | Supports up to 200-nC FETs at 40-kHz PWM; see <a href="#">Detailed Design Procedure</a> for more details |
| $Q_{LS1}$ | GL1  | SH1   | SP or GND |                                                                                                          |
| $Q_{HS2}$ | GH2  | VM    | SH2       |                                                                                                          |
| $Q_{LS2}$ | GL2  | SH2   | SP or GND |                                                                                                          |

## 6 Specifications

### 6.1 Absolute Maximum Ratings

over operating free-air temperature range referenced with respect to GND (unless otherwise noted) <sup>(1)</sup>

|                                                                              | MIN  | MAX      | UNIT |
|------------------------------------------------------------------------------|------|----------|------|
| Power supply voltage (VM)                                                    | -0.3 | 47       | V    |
| Power supply voltage ramp rate (VM)                                          | 0    | 2        | V/μs |
| Charge pump voltage (VCP, CPH)                                               | -0.3 | VM + 12  | V    |
| Charge pump negative switching pin (CPL)                                     | -0.3 | VM       | V    |
| Internal logic regulator voltage (DVDD)                                      | -0.3 | 3.8      | V    |
| Internal analog regulator voltage (AVDD)                                     | -0.3 | 5.75     | V    |
| Control pin voltage (PH, EN, IN1, IN2, nSLEEP, nFAULT, VREF, IDRIVE, SNSOUT) | -0.3 | 5.75     | V    |
| High-side gate pin voltage (GH1, GH2)                                        | -0.3 | VM + 12  | V    |
| Continuous phase node pin voltage (SH1, SH2)                                 | -1.2 | VM + 1.2 | V    |
| Pulsed 10 μs phase node pin voltage (SH1, SH2)                               | -2.0 | VM + 2   | V    |
| Low-side gate pin voltage (GL1, GL2)                                         | -0.3 | 12       | V    |
| Continuous shunt amplifier input pin voltage (SP, SN)                        | -0.5 | 1        | V    |
| Pulsed 10-μs shunt amplifier input pin voltage (SP, SN)                      | -1   | 1        | V    |
| Shunt amplifier output pin voltage (SO)                                      | -0.3 | 5.75     | V    |
| Open-drain output current (nFAULT, SNSOUT)                                   | 0    | 10       | mA   |
| Gate pin source current (GH1, GL1, GH2, GL2)                                 | 0    | 250      | mA   |
| Gate pin sink current (GH1, GL1, GH2, GL2)                                   | 0    | 500      | mA   |
| Shunt amplifier output pin current (SO)                                      | 0    | 5        | mA   |
| Operating junction temperature, T <sub>J</sub>                               | -40  | 150      | °C   |
| Storage temperature, T <sub>stg</sub>                                        | -65  | 150      | °C   |

(1) Stresses beyond those listed under *Absolute Maximum Ratings* may cause permanent damage to the device. These are stress ratings only, which do not imply functional operation of the device at these or any other conditions beyond those indicated under *Recommended Operating Conditions*. Exposure to absolute-maximum-rated conditions for extended periods may affect device reliability.

### 6.2 ESD Ratings

|                    |                         | VALUE                                                        | UNIT  |
|--------------------|-------------------------|--------------------------------------------------------------|-------|
| V <sub>(ESD)</sub> | Electrostatic discharge | Human body model (HBM) ESD stress voltage <sup>(1)</sup>     | ±2000 |
|                    |                         | Charged device model (CDM) ESD stress voltage <sup>(2)</sup> | ±500  |

(1) JEDEC document JEP155 states that 500-V HBM allows safe manufacturing with a standard ESD control process.

(2) JEDEC document JEP157 states that 250-V CDM allows safe manufacturing with a standard ESD control process.

### 6.3 Recommended Operating Conditions

over operating free-air temperature range (unless otherwise noted)

|                   |                                             | MIN                | MAX               | UNIT |
|-------------------|---------------------------------------------|--------------------|-------------------|------|
| VM                | Power supply voltage range                  | 5.9                | 45                | V    |
| VCC               | Logic level input voltage                   | 0                  | 5.5               | V    |
| VREF              | Reference RMS voltage range (VREF)          | 0.3 <sup>(1)</sup> | AVDD              | V    |
| f <sub>PWM</sub>  | Applied PWM signal (PH/EN or IN1/IN2)       |                    | 100               | kHz  |
| I <sub>AVDD</sub> | AVDD external load current                  |                    | 30 <sup>(2)</sup> | mA   |
| I <sub>DVDD</sub> | DVDD external load current                  |                    | 30 <sup>(2)</sup> | mA   |
| I <sub>SO</sub>   | Shunt amplifier output current loading (SO) |                    | 5                 | mA   |
| T <sub>A</sub>    | Operating ambient temperature               | -40                | 125               | °C   |

(1) Operational at VREF = 0 to 0.3 V, but accuracy is degraded

(2) Power dissipation and thermal limits must be observed

## 6.4 Thermal Information

| THERMAL METRIC <sup>(1)</sup> |                                              | DRV8701    | UNIT |
|-------------------------------|----------------------------------------------|------------|------|
|                               |                                              | RGE (VQFN) |      |
|                               |                                              | 24 PINS    |      |
| $R_{\theta JA}$               | Junction-to-ambient thermal resistance       | 34.8       | °C/W |
| $R_{\theta JC(top)}$          | Junction-to-case (top) thermal resistance    | 37.1       | °C/W |
| $R_{\theta JB}$               | Junction-to-board thermal resistance         | 12.2       | °C/W |
| $\psi_{JT}$                   | Junction-to-top characterization parameter   | 0.6        | °C/W |
| $\psi_{JB}$                   | Junction-to-board characterization parameter | 12.2       | °C/W |
| $R_{\theta JC(bot)}$          | Junction-to-case (bottom) thermal resistance | 3.7        | °C/W |

(1) For more information about traditional and new thermal metrics, see the *Semiconductor and IC Package Thermal Metrics* application report, [SPRA953](#).

## 6.5 Electrical Characteristics

over operating free-air temperature range (unless otherwise noted)

| PARAMETER                                              |                                           | TEST CONDITIONS                                                                | MIN                                                            | TYP     | MAX      | UNIT |
|--------------------------------------------------------|-------------------------------------------|--------------------------------------------------------------------------------|----------------------------------------------------------------|---------|----------|------|
| <b>POWER SUPPLIES (VM, AVDD, DVDD)</b>                 |                                           |                                                                                |                                                                |         |          |      |
| VM                                                     | VM operating voltage                      |                                                                                | 5.9                                                            |         | 45       | V    |
| I <sub>VM</sub>                                        | VM operating supply current               | VM = 24 V; nSLEEP high                                                         |                                                                | 6       | 9.5      | mA   |
| I <sub>VMQ</sub>                                       | VM sleep mode supply current              | nSLEEP = 0<br>VM = 24 V                                                        | T <sub>A</sub> = 25°C<br>T <sub>A</sub> = 125°C <sup>(1)</sup> | 9<br>14 | 15<br>25 | μA   |
| t <sub>SLEEP</sub>                                     | Sleep time                                | nSLEEP low to sleep mode                                                       |                                                                |         | 100      | μs   |
| t <sub>WAKE</sub>                                      | Wake-up time                              | nSLEEP high to output change                                                   |                                                                |         | 1        | ms   |
| t <sub>ON</sub>                                        | Turn-on time                              | VM > UVLO to output transition                                                 |                                                                |         | 1        | ms   |
| DVDD                                                   | Internal logic regulator voltage          | External load 0 to 30 mA                                                       | 3.0                                                            | 3.3     | 3.5      | V    |
| AVDD                                                   | Internal logic regulator voltage          | External load 0 to 30 mA                                                       | 4.4                                                            | 4.8     | 5.2      | V    |
| <b>CHARGE PUMP (VCP, CPH, CPL)</b>                     |                                           |                                                                                |                                                                |         |          |      |
| VCP                                                    | VCP operating voltage                     | VM = 12 V; I <sub>VCP</sub> = 0 to 12 mA                                       | 20.5                                                           | 21.5    | 22.5     | V    |
|                                                        |                                           | VM = 8 V; I <sub>VCP</sub> = 0 to 10 mA                                        | 13.5                                                           | 14.4    | 15       |      |
|                                                        |                                           | VM = 5.9 V; I <sub>VCP</sub> = 0 to 8 mA                                       | 9.4                                                            | 9.9     | 10.4     |      |
| I <sub>VCP</sub>                                       | Charge pump current capacity              | VM > 12 V                                                                      | 12                                                             |         |          | mA   |
|                                                        |                                           | 8 V < VM < 12 V                                                                | 10                                                             |         |          |      |
|                                                        |                                           | 5.9 V < VM < 8 V                                                               | 8                                                              |         |          |      |
| f <sub>VCP</sub> <sup>(1)</sup>                        | Charge pump switching frequency           | VM > UVLO                                                                      | 200                                                            | 400     | 700      | kHz  |
| <b>CONTROL INPUTS (PH, EN, IN1, IN2, nSLEEP)</b>       |                                           |                                                                                |                                                                |         |          |      |
| V <sub>IL</sub>                                        | Input logic low voltage                   |                                                                                |                                                                |         | 0.8      | V    |
| V <sub>IH</sub>                                        | Input logic high voltage                  |                                                                                | 1.5                                                            |         |          | V    |
| V <sub>HYS</sub>                                       | Input logic hysteresis                    |                                                                                | 100                                                            |         |          | mV   |
| I <sub>IL</sub>                                        | Input logic low current                   | V <sub>IN</sub> = 0 V                                                          | -5                                                             |         | 5        | μA   |
| I <sub>IH</sub>                                        | Input logic high current                  | V <sub>IN</sub> = 5 V                                                          |                                                                |         | 78       | μA   |
| R <sub>PD</sub>                                        | Pulldown resistance                       |                                                                                | 64                                                             | 115     | 173      | kΩ   |
| t <sub>PD</sub>                                        | Propagation delay                         | PH/EN, IN1/IN2 to GHx/GLx                                                      |                                                                | 500     |          | ns   |
| <b>CONTROL OUTPUTS (nFAULT, SNSOUT)</b>                |                                           |                                                                                |                                                                |         |          |      |
| V <sub>OL</sub>                                        | Output logic low voltage                  | I <sub>O</sub> = 2 mA                                                          |                                                                |         | 0.1      | V    |
| I <sub>OZ</sub>                                        | Output high impedance leakage             | V <sub>IN</sub> = 5 V                                                          | -2                                                             |         | 2        | μA   |
| <b>FET GATE DRIVERS (GH1, GH2, SH1, SH2, GL1, GL2)</b> |                                           |                                                                                |                                                                |         |          |      |
| V <sub>GHS</sub>                                       | High-side VGS gate drive (gate-to-source) | VM > 12 V; V <sub>GHS</sub> with respect to SHx                                | 8.5                                                            | 9.5     | 10.5     | V    |
|                                                        |                                           | VM = 8 V; V <sub>GHS</sub> with respect to SHx                                 | 5.5                                                            | 6.4     | 7        |      |
|                                                        |                                           | VM = 5.9 V; V <sub>GHS</sub> with respect to SHx                               | 3.5                                                            | 4.0     | 4.5      |      |
| V <sub>GLS</sub>                                       | Low-side VGS gate drive (gate-to-source)  | VM > 12 V                                                                      | 8.5                                                            | 9.3     | 10.5     | V    |
|                                                        |                                           | VM = 5.9 V                                                                     | 3.9                                                            | 4.3     | 4.9      |      |
| t <sub>DEAD</sub>                                      | Output dead time                          | Observed t <sub>DEAD</sub> depends on IDRIVE setting                           |                                                                | 380     |          | ns   |
| t <sub>DRIVE</sub>                                     | Gate drive time                           |                                                                                |                                                                | 2.5     |          | μs   |
| I <sub>IDRIVE, SRC</sub>                               | Peak source current                       | R <sub>IDRIVE</sub> < 1 kΩ to GND                                              |                                                                | 6       |          | mA   |
|                                                        |                                           | R <sub>IDRIVE</sub> = 33 kΩ ±5% to GND                                         |                                                                | 12.5    |          |      |
|                                                        |                                           | R <sub>IDRIVE</sub> = 200 kΩ ±5% to GND, or R <sub>IDRIVE</sub> < 1 kΩ to AVDD |                                                                | 25      |          |      |
|                                                        |                                           | R <sub>IDRIVE</sub> > 500 kΩ ±5% to GND                                        |                                                                | 100     |          |      |
|                                                        |                                           | R <sub>IDRIVE</sub> = 68 kΩ ±5% to AVDD                                        |                                                                | 150     |          |      |

(1) Specified by design and characterization data

## Electrical Characteristics (continued)

over operating free-air temperature range (unless otherwise noted)

| PARAMETER                                                                    | TEST CONDITIONS                                                                                 | MIN                | TYP      | MAX  | UNIT               |
|------------------------------------------------------------------------------|-------------------------------------------------------------------------------------------------|--------------------|----------|------|--------------------|
| $I_{DRIVE,SNK}$ Peak sink current                                            | $R_{IDRIVE} < 1\text{ k}\Omega$ to GND                                                          |                    | 12.5     |      | mA                 |
|                                                                              | $R_{IDRIVE} = 33\text{ k}\Omega \pm 5\%$ to GND                                                 |                    | 25       |      |                    |
|                                                                              | $R_{IDRIVE} = 200\text{ k}\Omega \pm 5\%$ to GND, or<br>$R_{IDRIVE} < 1\text{ k}\Omega$ to AVDD |                    | 50       |      |                    |
|                                                                              | $R_{IDRIVE} > 500 \pm 5\%$ k $\Omega$ to GND                                                    |                    | 200      |      |                    |
|                                                                              | $R_{IDRIVE} = 68\text{ k}\Omega \pm 5\%$ to AVDD                                                |                    | 300      |      |                    |
| $I_{HOLD}$ FET holding current                                               | Source current after $t_{DRIVE}$                                                                |                    | 6        |      | mA                 |
|                                                                              | Sink current after $t_{DRIVE}$                                                                  |                    | 25       |      |                    |
| $I_{STRONG}$ FET hold-off strong pulldown                                    | GHx                                                                                             |                    | 490      |      | mA                 |
|                                                                              | GLx                                                                                             |                    | 690      |      |                    |
| $R_{OFF}$ FET gate hold-off resistor                                         | Pulldown GHx to SHx                                                                             |                    | 200      |      | k $\Omega$         |
|                                                                              | Pulldown GLx to GND                                                                             |                    | 150      |      |                    |
| <b>CURRENT SHUNT AMPLIFIER AND PWM CURRENT CONTROL (SP, SN, SO, VREF)</b>    |                                                                                                 |                    |          |      |                    |
| $V_{VREF}$ VREF input voltage                                                | For current internal chopping                                                                   | 0.3 <sup>(2)</sup> |          | AVDD | V                  |
| $A_V$ Amplifier gain                                                         | $50 < V_{SP} < 200\text{ mV}$ ; $V_{SN} = \text{GND}$                                           | 18                 | 20       | 22   | V/V                |
|                                                                              | $10 < V_{SP} < 50\text{ mV}$ ; $V_{SN} = \text{GND}$                                            | 16                 | 20       | 24   |                    |
| $V_{OFF}$ SO offset                                                          | $V_{SP} = V_{SN} = \text{GND}$                                                                  |                    | 50       | 250  | mV                 |
| $I_{SP}$ SP input current                                                    | $V_{SP} = 100\text{ mV}$ ; $V_{SN} = \text{GND}$                                                |                    | -40      |      | $\mu\text{A}$      |
| $t_{SET}^{(3)}$ Settling time to $\pm 1\%$                                   | $V_{SP} = V_{SN} = \text{GND}$ to<br>$V_{SP} = 100\text{ mV}$ , $V_{SN} = \text{GND}$           |                    |          | 1.5  | $\mu\text{s}$      |
| $C_{SO}^{(3)}$ Allowable SO pin capacitance                                  |                                                                                                 |                    |          | 1    | nF                 |
| $t_{OFF}$ PWM current regulation off-time                                    |                                                                                                 |                    | 25       |      | $\mu\text{s}$      |
| $t_{BLANK}$ PWM blanking time                                                |                                                                                                 |                    | 2        |      | $\mu\text{s}$      |
| <b>PROTECTION CIRCUITS</b>                                                   |                                                                                                 |                    |          |      |                    |
| $V_{UVLO}$ VM undervoltage lockout                                           | VM falling; UVLO report                                                                         |                    | 5.4      | 5.8  | V                  |
|                                                                              | VM rising; UVLO recovery                                                                        |                    | 5.6      | 5.9  |                    |
| $V_{UVLO,HYS}$ VM undervoltage hysteresis                                    | Rising to falling threshold                                                                     | 100                |          |      | mV                 |
| $t_{UVLO}$ VM UVLO falling deglitch time                                     | VM falling; UVLO report                                                                         |                    | 10       |      | $\mu\text{s}$      |
| $V_{CPUV}$ Charge pump undervoltage                                          | CPUV report                                                                                     |                    | VM + 2.8 |      | V                  |
| $V_{DS\ OCP}$ Overcurrent protection trip level, VDS of each external FET    | High-side FETs: VM – SHx<br>Low-side FETs: SHx – SP                                             | 0.8                | 1        |      | V                  |
| $V_{SP\ OCP}$ Overcurrent protection trip level, measured by sense amplifier | $V_{SP}$ voltage with respect to GND                                                            | 0.8                | 1        |      | V                  |
| $t_{OCP}$ Overcurrent deglitch time                                          |                                                                                                 |                    | 4.5      |      | $\mu\text{s}$      |
| $t_{RETRY}$ Overcurrent retry time                                           |                                                                                                 |                    | 3        |      | ms                 |
| $T_{TSD}^{(3)}$ Thermal shutdown temperature                                 | Die temperature, $T_J$                                                                          | 150                |          |      | $^{\circ}\text{C}$ |
| $T_{HYS}^{(3)}$ Thermal shutdown hysteresis                                  | Die temperature, $T_J$                                                                          |                    | 20       |      | $^{\circ}\text{C}$ |
| $V_{GS\ CLAMP}$ Gate drive clamping voltage                                  | Positive clamping voltage                                                                       | 10.5               |          | 13   | V                  |
|                                                                              | Negative clamping voltage                                                                       | -1                 | -0.7     | -0.5 |                    |

 (2) Operational at  $V_{REF} = 0$  to  $0.3\text{ V}$ , but accuracy is degraded

(3) Specified by design and characterization data



## 6.6 Typical Characteristics

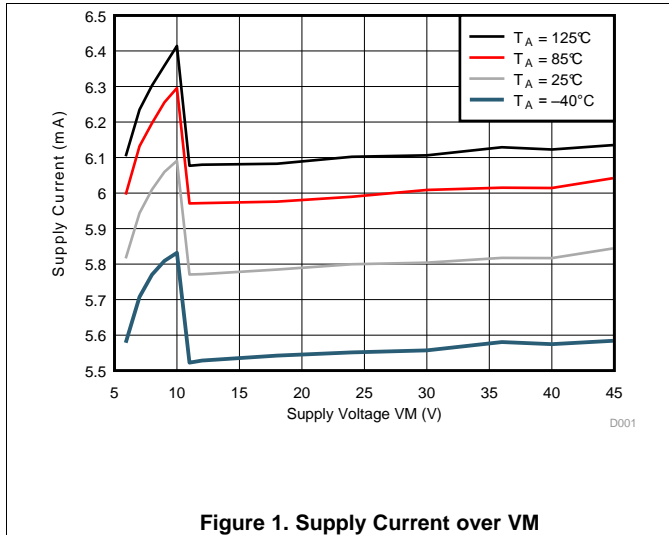


Figure 1. Supply Current over VM

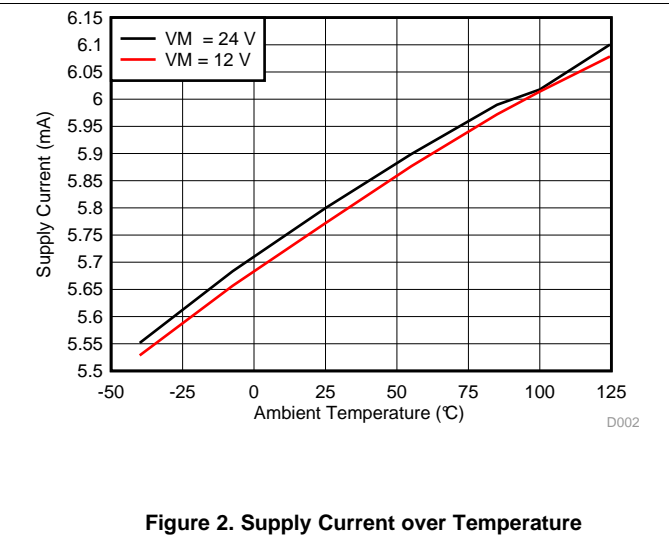


Figure 2. Supply Current over Temperature

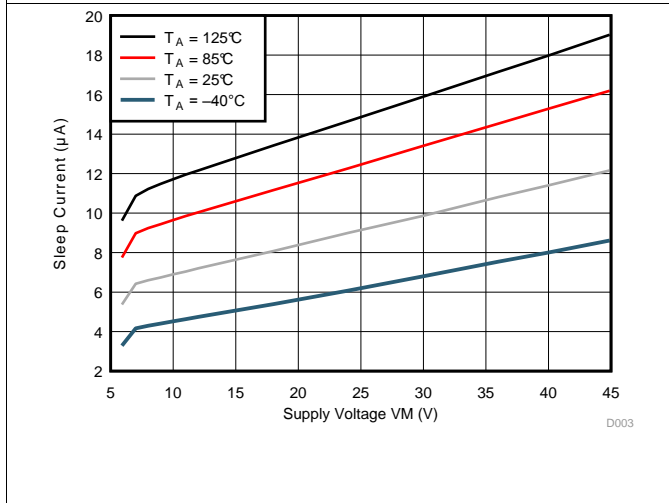


Figure 3. Sleep Current over VM

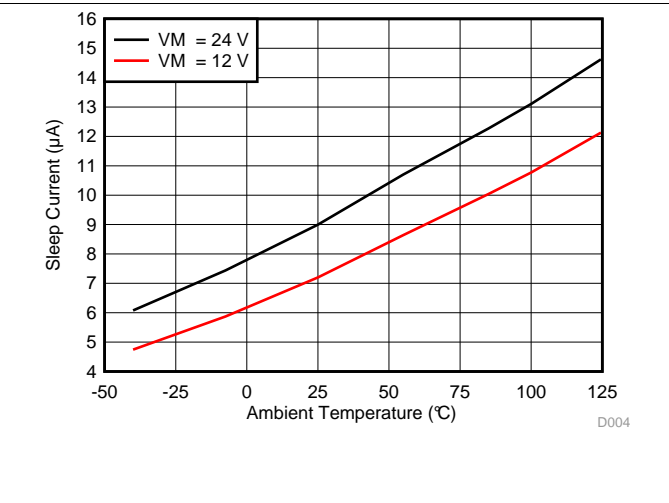


Figure 4. Sleep Current over Temperature

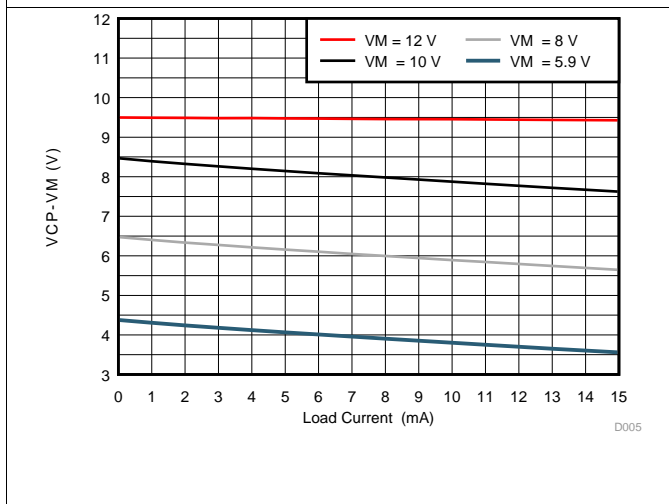


Figure 5. VCP over Load (TA = 25°C)

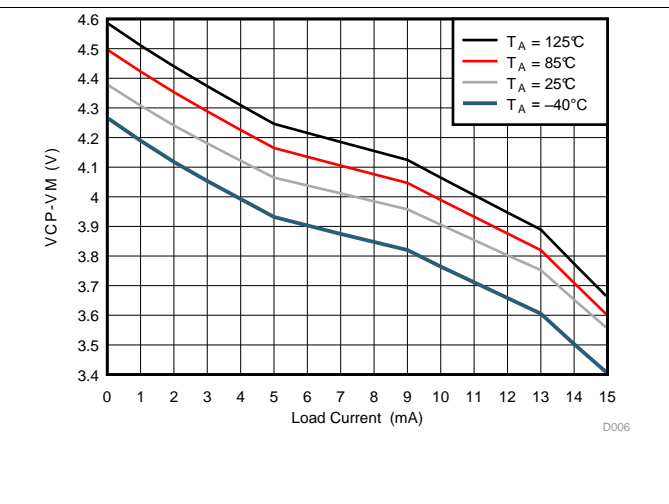


Figure 6. VCP over Load (VM = 5.9 V)

Typical Characteristics (continued)

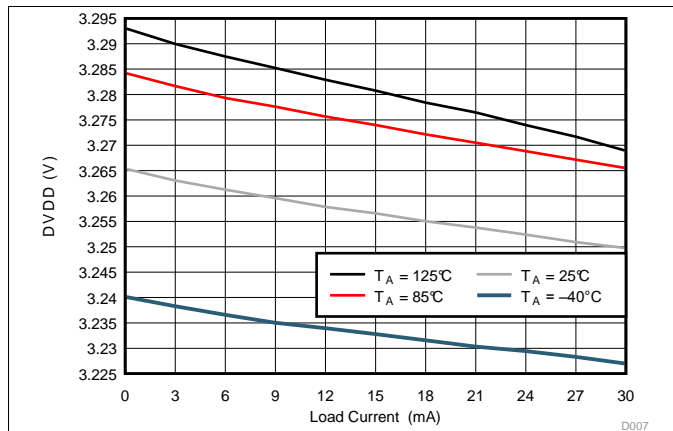


Figure 7. DVDD Regulator over Load (VM = 12 V)

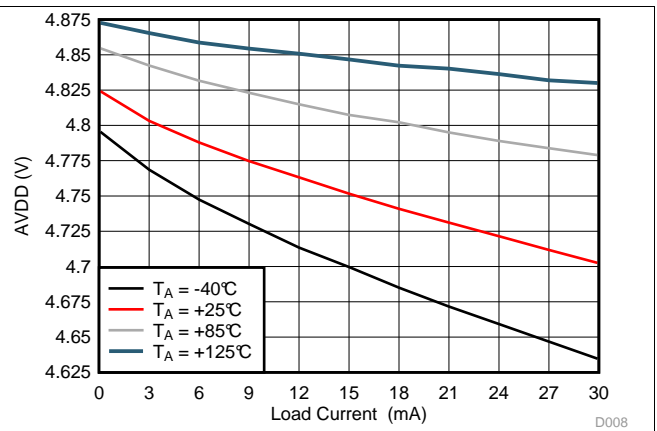


Figure 8. AVDD Regulator over Load (VM = 12 V)

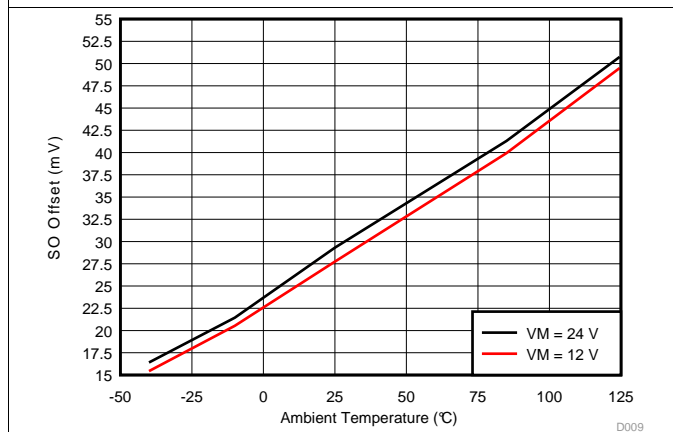


Figure 9. SO Offset over Temperature

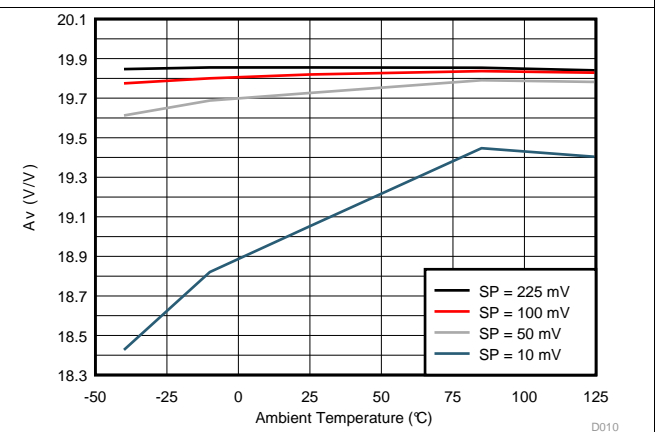


Figure 10. Amplifier Gain over Temperature

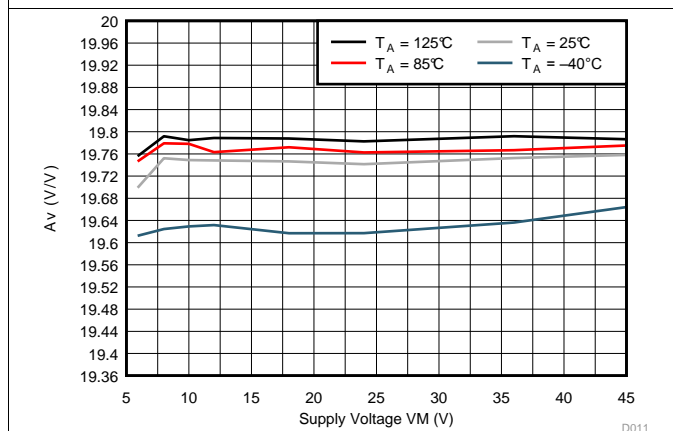


Figure 11. Amplifier Gain over VM (SP = 50 mV)

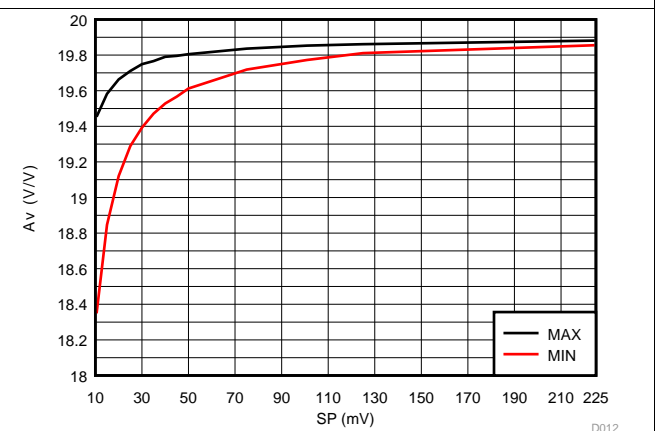


Figure 12. Amplifier Gain over VM and Temperature Range

Typical Characteristics (continued)

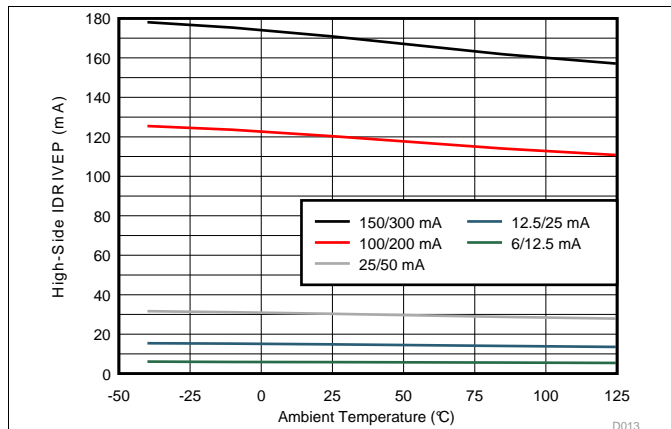


Figure 13. High-Side IDRIVEP over Temperature (VM = 12 V)

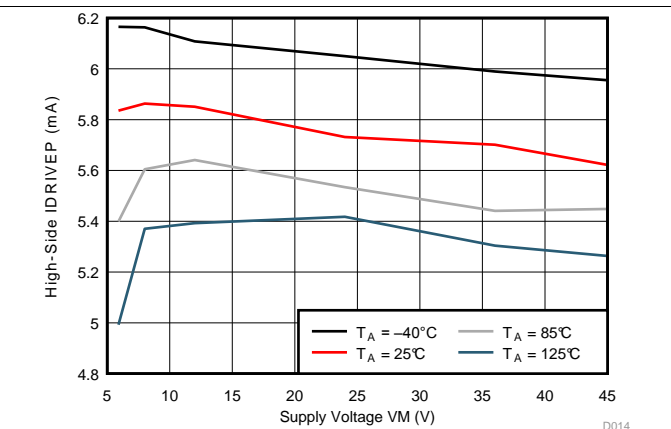


Figure 14. 6/12.5-mA High-Side IDRIVEP over VM

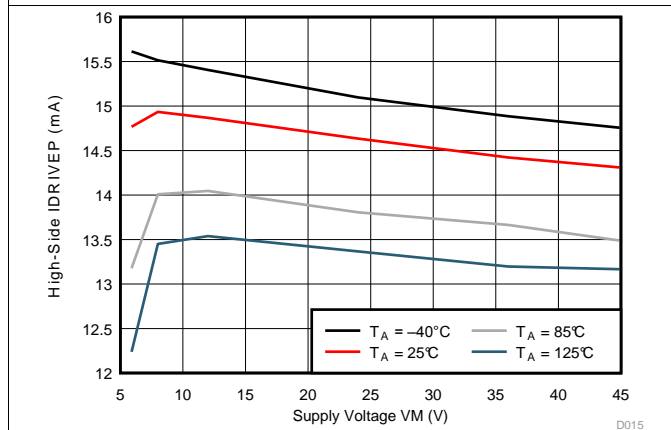


Figure 15. 12.5/25-mA High-Side IDRIVEP over VM

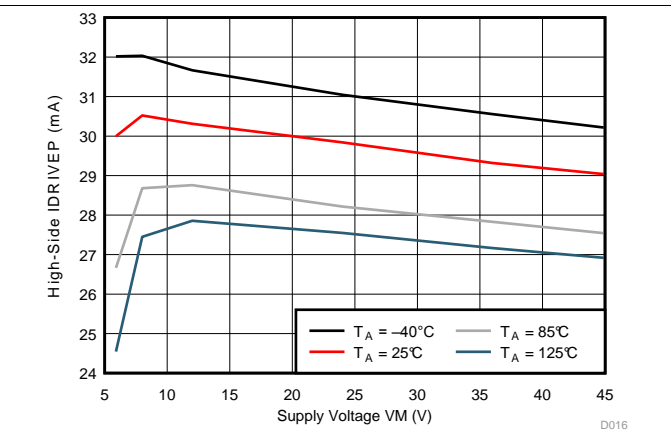


Figure 16. 25/50-mA High-Side IDRIVEP over VM

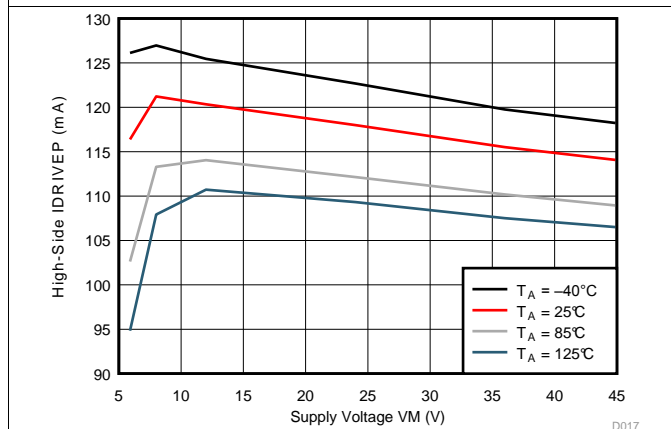


Figure 17. 100/200-mA High-Side IDRIVEP over VM

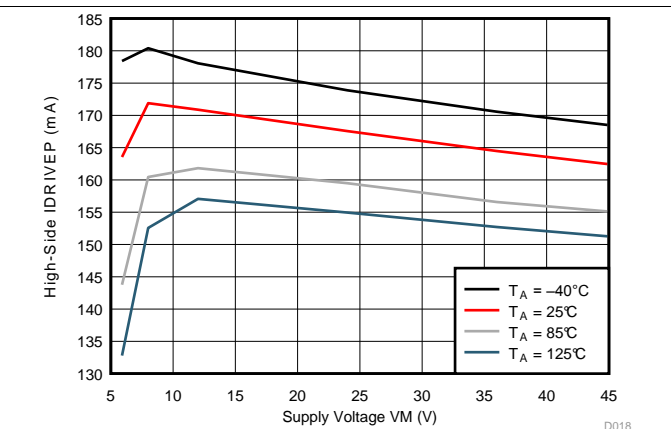


Figure 18. 150/300-mA High-Side IDRIVEP over VM

## 7 Detailed Description

### 7.1 Overview

The DRV8701 is an H-bridge gate driver (also called a pre-driver or controller). The device integrates FET gate drivers in order to control four external NMOS FETs. The device can be powered with a supply voltage between 5.9 and 45 V.

A simple PH/EN (DRV8701E) or PWM (DRV8701P) interface allows interfacing to the controller circuit.

A low-power sleep mode is included, which can be enabled using the nSLEEP pin.

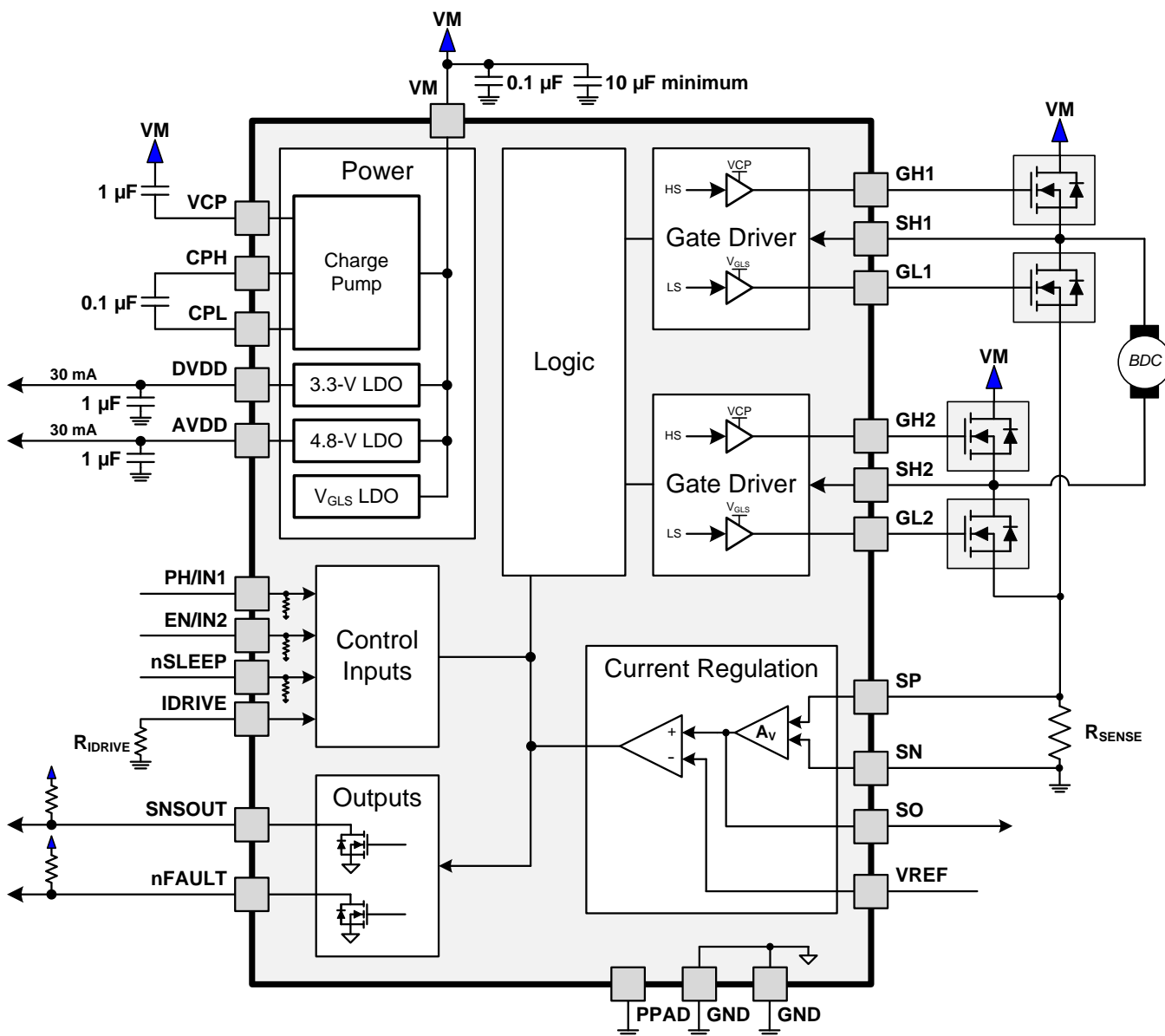
The gate drive strength can be adjusted to optimize a system for a given FET without adding external resistors in series with the FET gates. The IDRIVE pin allows for selection of the peak current driven into the external FET gate. Both the high-side and low-side FETs are driven with a  $V_{GS}$  of 9.5 V nominally when  $V_M > 12$  V. At lower  $V_M$  voltages, the  $V_{GS}$  is reduced. The high-side gate drive voltage is generated using a doubler-architecture charge pump that regulates to  $V_M + 9.5$  V.

This device greatly reduces the component count of discrete motor driver systems by integrating the necessary FET drive circuitry into a single device. In addition, the DRV8701 adds protection features above traditional discrete implementations: UVLO, OCP, pre-driver faults, and thermal shutdown.

A start-up (inrush) or running current limitation is built in using a fixed time-off current chopping scheme. The chopping current level is set by choosing the sense resistor value and by setting a voltage on the VREF pin.

A shunt amplifier output is provided for accurate current measurements by the system controller. The SO pin outputs a voltage that is 20 times the voltage seen across the sense resistor.

## 7.2 Functional Block Diagram



### 7.3 Feature Description

#### 7.3.1 Bridge Control

The DRV8701E is controlled using a PH/EN interface. The following logic table (Table 1) gives the full H-bridge state when driving a single brushed DC motor. Note that Table 1 does not take into account the current control built into the DRV8701E. Positive current is defined in the direction of xOUT1 → xOUT2.

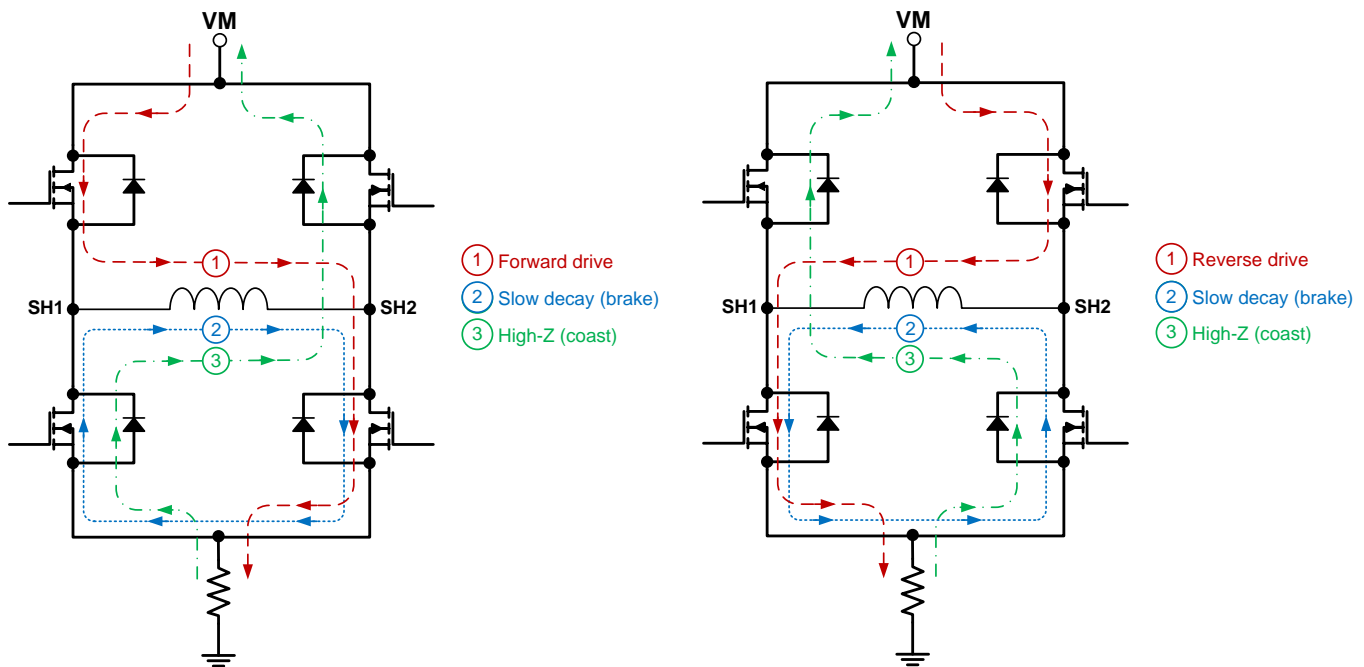
**Table 1. DRV8701E (PH/EN) Control Interface**

| nSLEEP | EN | PH | SH1    | SH2    | AVDD/DVDD | Description                          |
|--------|----|----|--------|--------|-----------|--------------------------------------|
| 0      | X  | X  | High-Z | High-Z | Disabled  | Sleep mode; H-bridge disabled High-Z |
| 1      | 0  | X  | L      | L      | Enabled   | Brake, low-side slow decay           |
| 1      | 1  | 0  | L      | H      | Enabled   | Reverse drive (current SH2 → SH1)    |
| 1      | 1  | 1  | H      | L      | Enabled   | Forward drive (current SH1 → SH2)    |

The DRV8701P is controlled using a PWM interface (IN1/IN2). The following logic table (Table 2) gives the full H-bridge state when driving a single brushed DC motor. Note that Table 2 does not take into account the current control built into the DRV8701P. Positive current is defined in the direction of xOUT1 → xOUT2.

**Table 2. DRV8701P (PWM) Control Interface**

| nSLEEP | IN1 | IN2 | SH1    | SH2    | AVDD/DVDD | Description                          |
|--------|-----|-----|--------|--------|-----------|--------------------------------------|
| 0      | X   | X   | High-Z | High-Z | Disabled  | Sleep mode; H-bridge disabled High-Z |
| 1      | 0   | 0   | High-Z | High-Z | Enabled   | Coast; H-bridge disabled High-Z      |
| 1      | 0   | 1   | L      | H      | Enabled   | Reverse (current SH2 → SH1)          |
| 1      | 1   | 0   | H      | L      | Enabled   | Forward (current SH1 → SH2)          |
| 1      | 1   | 1   | L      | L      | Enabled   | Brake; low-side slow decay           |



**Figure 19. H-Bridge Operational States**

### 7.3.2 Half-Bridge Operation

The DRV8701 can be used to drive only a single half-bridge instead of a full H-bridge. To operate in this mode, leave GH1 and GL1 disconnected. Also, connect a 1/10 W, 330-Ω 5% resistor from SH1 to GND.

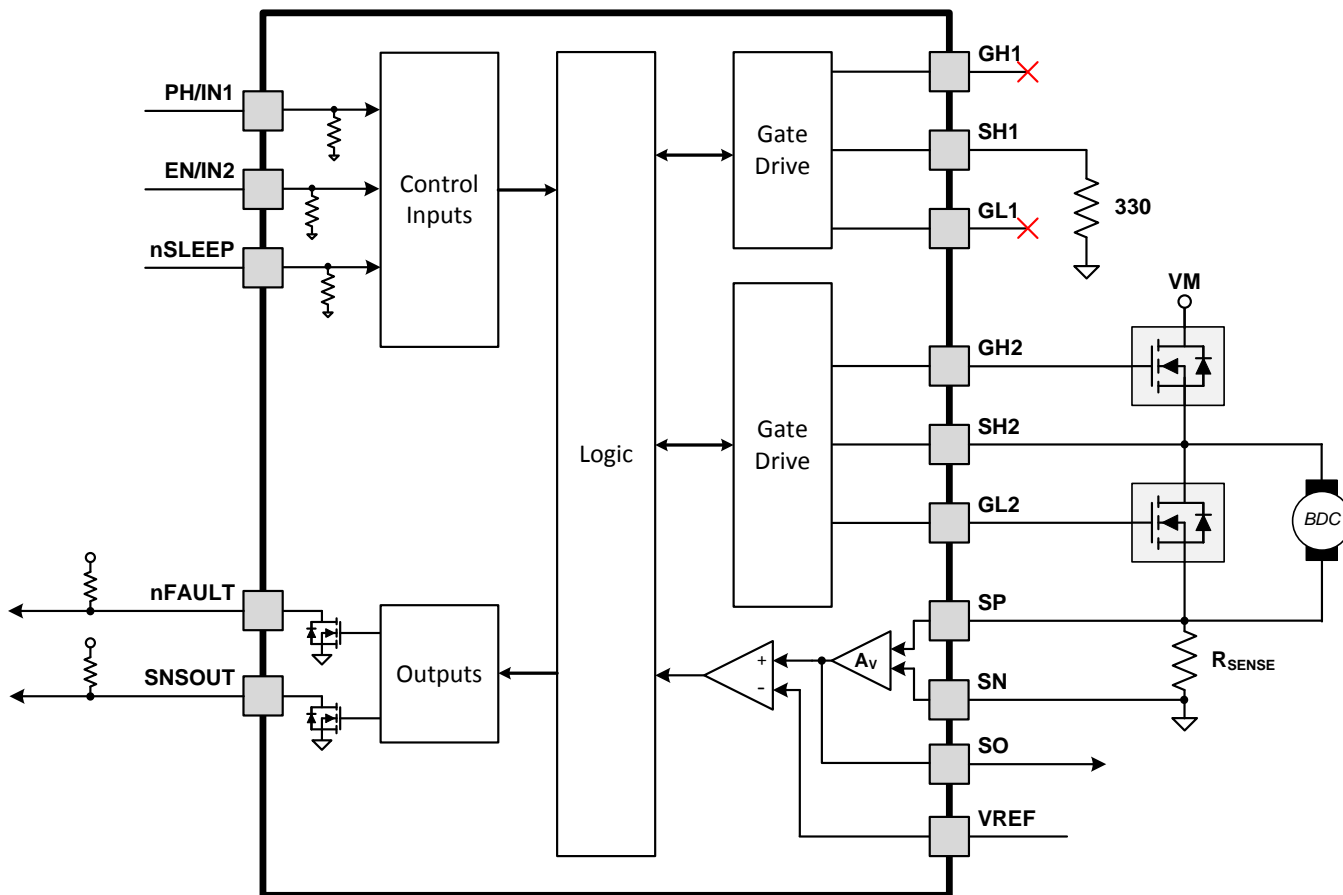


Figure 20. Half-H Bridge Operation Mode

For the DRV8701E, this mode is controlled by tying the PH pin low. Table 3 gives the control scheme. EN = 1 enables the high-side FET, and EN = 0 enables the low-side FET. EN = 1 and PH = 1 is an invalid state.

Table 3. DRV8701E (PH/EN) Control Interface for Half-H Bridge Mode

| nSLEEP | EN | PH | SH2    | AVDD/DVDD | Description                 |
|--------|----|----|--------|-----------|-----------------------------|
| 0      | X  | X  | High-Z | Disabled  | Sleep mode; disabled High-Z |
| 1      | 0  | X  | L      | Enabled   | Brake, low-side slow decay  |
| 1      | 1  | 0  | H      | Enabled   | Drive (Current SH2 → GND)   |
| 1      | 1  | 1  |        |           | Invalid state               |

For the DRV8701P, Table 4 gives the control scheme. IN1 = 1 and IN2 = 0 is an invalid state.

Table 4. DRV8701P (PWM) Control Interface for Half-H Bridge Mode

| nSLEEP | IN1 | IN2 | SH2    | AVDD/DVDD | Description                 |
|--------|-----|-----|--------|-----------|-----------------------------|
| 0      | X   | X   | High-Z | Disabled  | Sleep mode; disabled High-Z |
| 1      | 0   | 0   | High-Z | Enabled   | Coast; disabled High-Z      |
| 1      | 0   | 1   | H      | Enabled   | Drive (current SH2 → GND)   |
| 1      | 1   | 0   |        |           | Invalid state               |
| 1      | 1   | 1   | L      | Enabled   | Brake; low-side slow decay  |

### 7.3.3 Current Regulation

The maximum current through the motor winding is regulated by a fixed off-time PWM current regulation, or current chopping. When an H-bridge is enabled in forward or reverse drive, current rises through the winding at a rate dependent on the DC voltage and inductance of the winding. After the current hits the current chopping threshold, the bridge enters a brake (low-side slow decay) mode until  $t_{OFF}$  has expired.

Note that immediately after the current is enabled, the voltage on the SP pin is ignored for a period of time ( $t_{BLANK}$ ) before enabling the current sense circuitry.

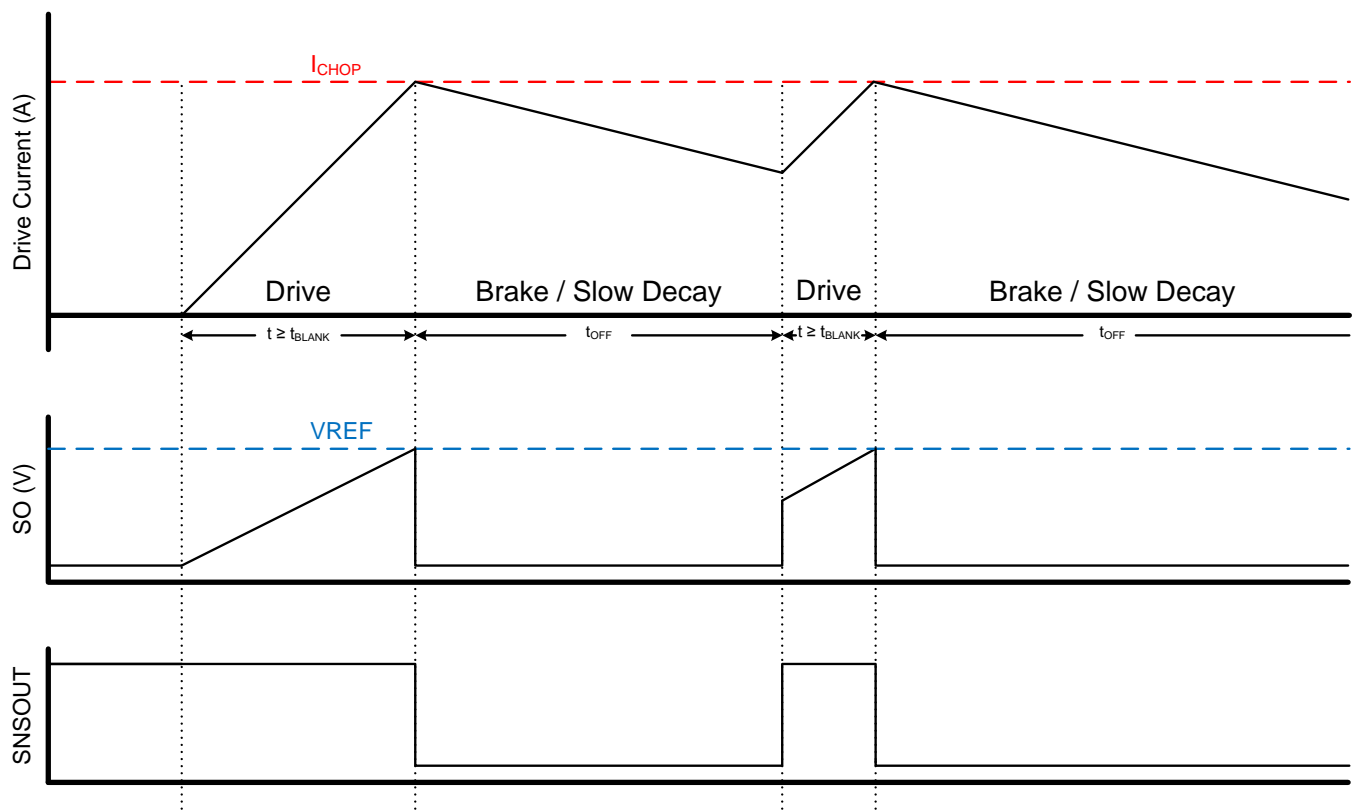
The PWM chopping current is set by a comparator which compares the voltage across a current sense resistor connected to the SP pin, multiplied by a factor of  $A_V$ , with a reference voltage from the VREF pin. The factor  $A_V$  is the shunt amplifier gain, which is 20 V/V in the DRV8701.

The chopping current is calculated as follows:

$$I_{CHOP} = \frac{V_{REF} - V_{OFF}}{A_V \times R_{SENSE}} \quad (1)$$

*Example:* If a 50 mΩ sense resistor is used and  $V_{REF} = 3.3$  V, the full-scale chopping current will be 3.25 A.  $A_V$  is 20 V/V and  $V_{OFF}$  is assumed to be 50 mV in this example.

For DC motors, current regulation is generally used to limit the start-up and stall current of the motor. If the current regulation feature is not needed, it can be disabled by tying VREF directly to AVDD and tying SP and SN to GND.



**Figure 21. Sense Amplifier and Current Chopping Operation**

During brake mode (slow decay), current is recirculated through the low-side FETs. Because current is not flowing through the sense resistor, SO does not represent the motor current.



### 7.3.4 Amplifier Output SO

The SO pin on the DRV8701 outputs an analog voltage equal to the voltage seen across the SP and SN pins multiplied by  $A_V$ . The factor  $A_V$  is the shunt amplifier gain, which is 20 V/V in the DRV8701. SO is only valid during forward or reverse drive. The H-bridge current is approximately equal to:

$$I = \frac{SO - V_{OFF}}{A_V \times R_{SENSE}} \quad (2)$$

When SP and SN are 0 V, SO outputs the amplifier offset voltage  $V_{OFF}$ . No capacitor is required on the SO pin.

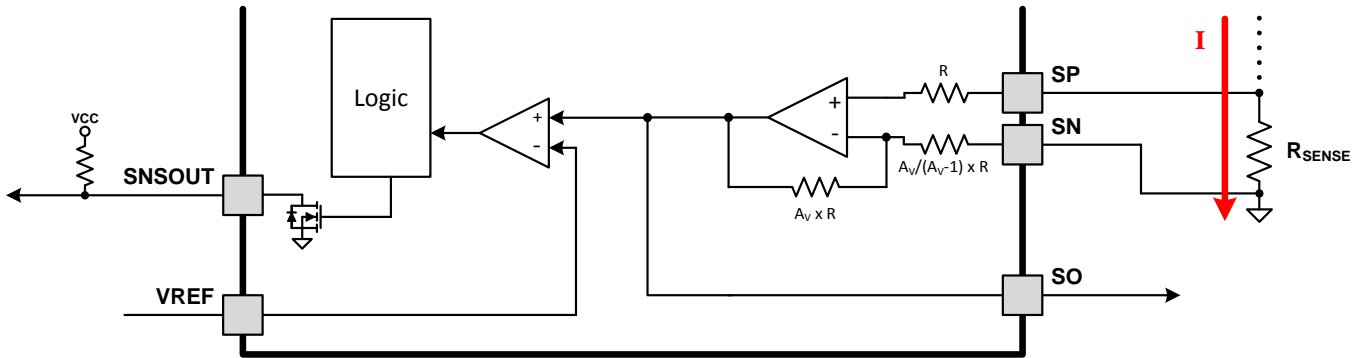


Figure 22. Sense Amplifier Diagram

If the voltage across SP and SN exceeds 1 V, then the DRV8701 flags an overcurrent condition.

The SO pin can source up to 5 mA of current. If the pin is shorted to GND, or if a higher-current load is driven by this pin, the output acts as a constant-current source. The output voltage is not representative of the H-bridge current in this state.

This shunt amplifier feature can be disabled by tying the SP and SN pins to GND. When the amplifier is disabled, current regulation is also disabled.

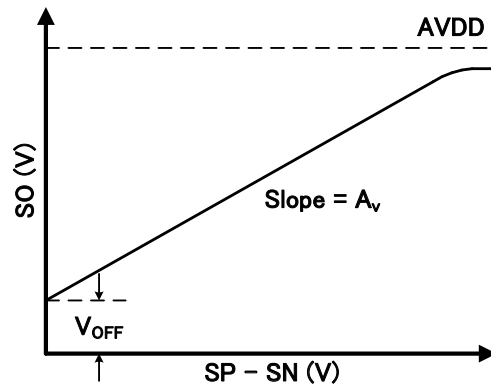


Figure 23. Sense Amplifier Output

#### 7.3.4.1 SNSOUT

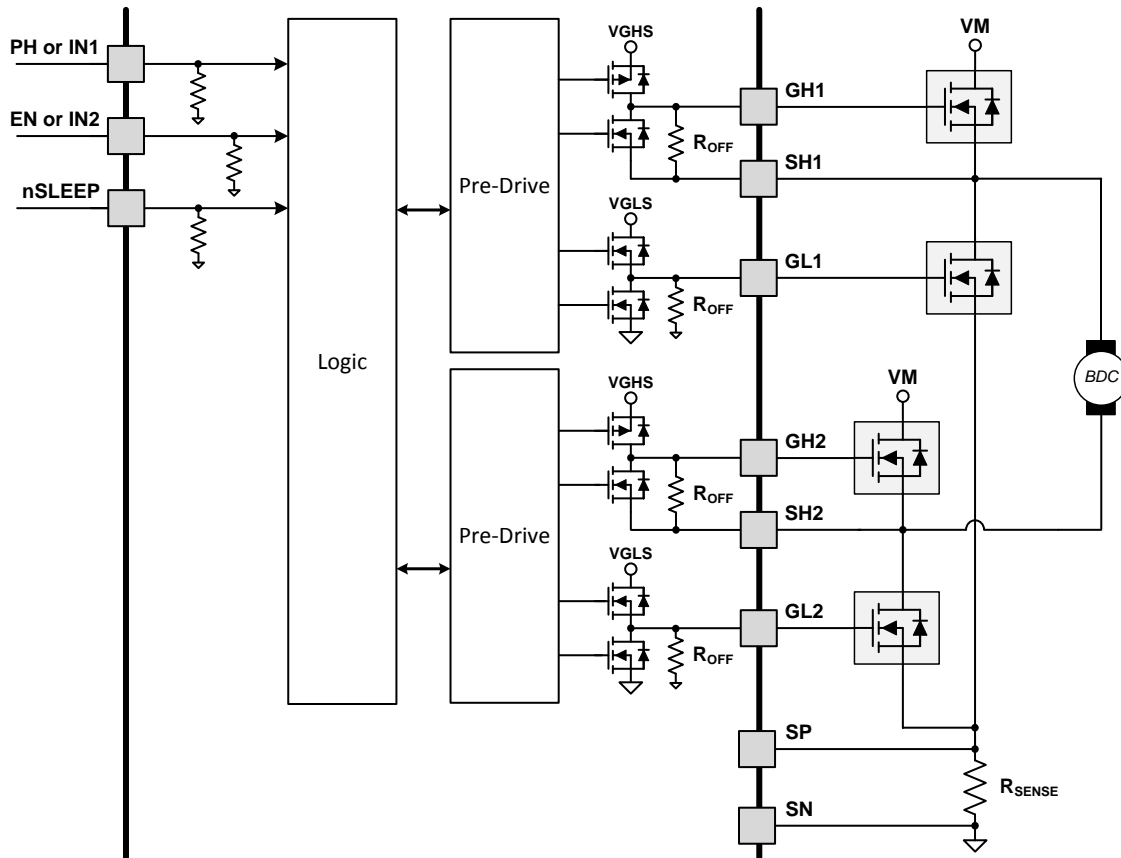
The SNSOUT pin of the DRV8701 indicates when the device is in current chopping mode. When the driver is in a slow decay mode caused by internal PWM current chopping ( $I_{CHOP}$  threshold hit), the open-drain SNSOUT output is pulled low. If the current regulation is disabled, then the SNSOUT pin will be high-Z.

Note that if the H-bridge is put into a slow decay mode using the inputs (PH/EN or IN1/IN2), then SNSOUT is not pulled low.

During forward or reverse drive mode, SNSOUT is high until the DRV8701 is internally forced into current chopping. If the drive current rises above  $I_{CHOP}$ , the driver enters a brake mode (low-side slow decay). The SNSOUT pin will be pulled low during this current chopping brake mode. After the driver is re-enabled, the SNSOUT pin is released high-Z and the drive mode is restarted.

### 7.3.5 PWM Motor Gate Drivers

The DRV8701 contains gate drivers for a single H-bridge with external NMOS FETs. Figure 24 shows a block diagram of the gate driver circuitry.



**Figure 24. PWM Motor Gate Drivers**

Gate drivers inside the DRV8701 directly drive N-channel MOSFETs, which drive the motor current. The high-side gate drive is supplied by the charge pump, while the low-side gate drive voltage is generated by an internal regulator.

The peak drive current of the gate drivers is adjustable through the IDRIVE pin. Peak source currents may be set to 6, 12.5, 25, 100, or 150 mA. The peak sink current is approximately 2x the peak source current. Adjusting the peak current changes the output slew rate, which also depends on the FET input capacitance and gate charge.

The peak drive current is selected by setting the value of the  $R_{IDRIVE}$  resistor on the IDRIVE pin or by forcing a voltage onto the IDRIVE pin (see Table 6 for details).

Fast switching times can cause extra voltage noise on VM and GND. This can be especially due to a relatively slow reverse-recovery time of the low-side body diode, where it conducts reverse-bias momentarily, being similar to shoot-through. Slow switching times can cause excessive power dissipation since the external FETs take a longer time to turn on and turn off.

When changing the state of the output, the peak current ( $I_{DRIVE}$ ) is applied for a short drive period ( $t_{DRIVE}$ ) to charge the gate capacitance. After this time, a weaker current source ( $I_{HOLD}$ ) is used to keep the gate at the desired state. When selecting the gate drive strength for a given external FET, the selected current must be high enough to fully charge and discharge the gate during  $t_{DRIVE}$ , or excessive power will be dissipated in the FET.

During high-side turn-on, the low-side gate is pulled low with a strong pull-down ( $I_{STRONG}$ ). This prevents the low-side FET  $Q_{GS}$  from charging and keeps the FET off, even when there is fast switching at the outputs.

The pre-driver circuits include enforcement of a dead time in analog circuitry, which prevents the high-side and low-side FETs from conducting at the same time. When switching FETs on, this handshaking prevents the high- or low-side FET from turning on until the opposite FET has been turned off.

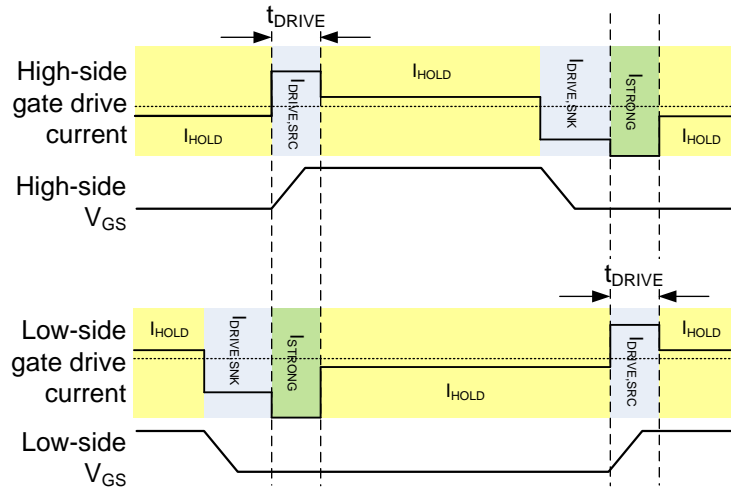


Figure 25. Gate Driver Output to Control External FETs

### $Q_{GD}$ Miller charge

When a FET gate is turned on, three different capacitances must be charged.

- $Q_{GS}$  – Gate-to-source charge
- $Q_{GD}$  – Gate-to-drain charge (miller charge)
- Remaining  $Q_G$

The FET output is slewing primarily during the  $Q_{GD}$  charge.

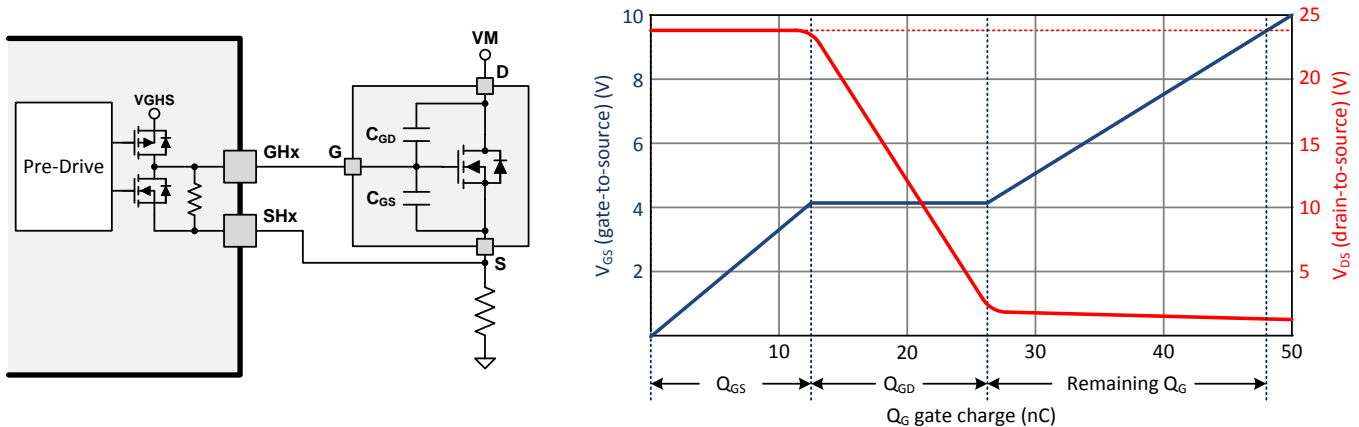


Figure 26. Example FET Gate Charging Profile

### 7.3.6 IDRIVE Pin

The rise and fall times of the H-bridge output (SHx pins) can be adjusted by setting the IDRIVE resistor value or forcing a voltage onto the IDRIVE pin. The FET gate voltage ramps faster if a higher IDRIVE setting is chosen. The FET gate ramp directly affects the H-bridge output rise and fall time.

Tying IDRIVE to GND selects the lowest drive setting of 6-mA source and 12.5-mA sink. If this pin is left unconnected, then the 100-mA source and 200-mA sink setting are selected.

If IDRIVE is shorted to AVDD, then the VDS OCP monitor on the high-side FETs is disabled. In this setting, the gate driver is configured as 25-mA source and 50-mA sink.

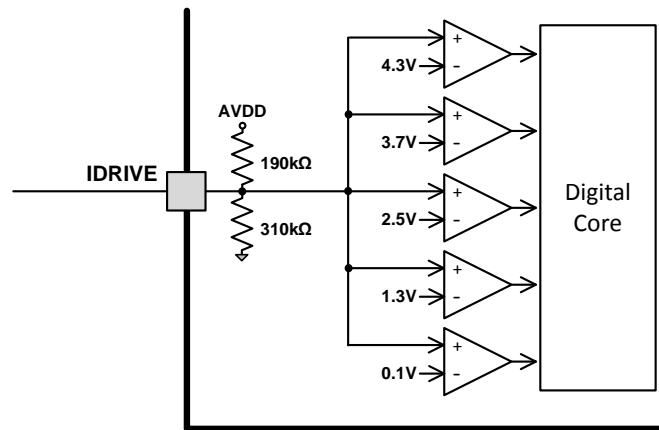
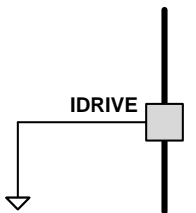
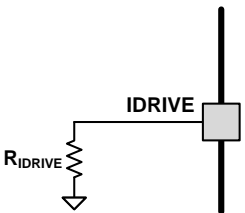
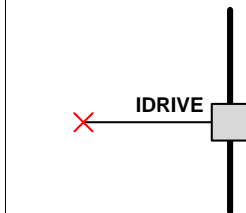
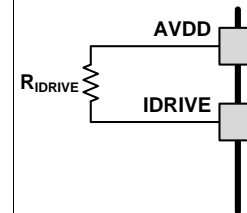
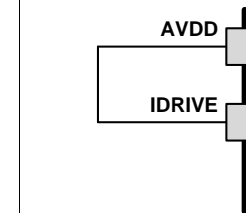


Figure 27. IDRIVE Pin Internal Circuitry

Table 5. IDRIVE Pin Configuration Settings

| IDRIVE Resistance      | IDRIVE Voltage | Source Current (IDRIVE, SRC) | Sink Current (IDRIVE, SNK) | HS OCP Monitor |
|------------------------|----------------|------------------------------|----------------------------|----------------|
| <1 kΩ to GND           | GND            | 6 mA                         | 12.5 mA                    | ON             |
| 33 kΩ ±5% to GND       | 0.7 V ±5%      | 12.5 mA                      | 25 mA                      | ON             |
| 200 kΩ ±5% to GND      | 2 V ±5%        | 25 mA                        | 50 mA                      | ON             |
| >500 kΩ to GND, High-Z | 3 V ±5%        | 100 mA                       | 200 mA                     | ON             |
| 68 kΩ ±5% to AVDD      | 4 V ±5%        | 150 mA                       | 300 mA                     | ON             |
| <1 kΩ to AVDD          | AVDD           | 25 mA                        | 50 mA                      | OFF            |

Table 6. IDRIVE Pin Resistor Settings

| <1 kΩ to GND                                                                        | 33 kΩ ±5% to GND<br>200 kΩ ±5% to GND                                               | >500 kΩ to GND, High-Z                                                              | 68 kΩ ±5% to AVDD                                                                    | <1 kΩ to AVDD                                                                         |
|-------------------------------------------------------------------------------------|-------------------------------------------------------------------------------------|-------------------------------------------------------------------------------------|--------------------------------------------------------------------------------------|---------------------------------------------------------------------------------------|
|  |  |  |  |  |
| IDRIVE                                                                              | IDRIVE                                                                              | IDRIVE                                                                              | IDRIVE                                                                               | IDRIVE                                                                                |
| 6 / 12.5 mA                                                                         | 12.5 / 25 mA (33 kΩ)<br>25 / 50 mA (200 kΩ)                                         | 100 / 200 mA                                                                        | 150 / 300 mA                                                                         | 25 / 50 mA<br>HS OCP monitor off                                                      |

### 7.3.7 Dead Time

Dead time ( $t_{DEAD}$ ) is measured as the time when SHx is High-Z between turning off one of the H-bridge FETs and turning on the other. For example, the output is High-Z between turning off the high-side FET and turning on the low-side FET.

The DRV8701 inserts a digital dead time of approximately 150 ns. The total dead time also includes the FET gate turn-on time.

The total dead time is dependent on the IDRIVE resistor setting because a portion of the FET gate ramp (GHx and GLx pins) includes the observable dead time.

### 7.3.8 Propagation Delay

The propagation delay time ( $t_{DELAY}$ ) is measured as the time between an input edge to an output change. This time is composed of two parts: an input deglitch time and output slewing delay. The input deglitcher prevents noise on the input pins from affecting the output state.

The gate drive slew rate also contributes to the delay time. For the output to change state during normal operation, first, one FET must be turned off. The FET gate is ramped down according to the IDRIVE setting, and the observed propagation delay ends when the FET gate has fallen below the threshold voltage.

### 7.3.9 Overcurrent $V_{DS}$ Monitor

The gate driver circuit monitors the  $V_{DS}$  voltage of each external FET when it is driving current. When the voltage monitored is greater than the OCP threshold voltage ( $V_{DS\ OCP}$ ), after the OCP deglitch time ( $t_{OCP}$ ) has expired, an OCP condition will be detected.

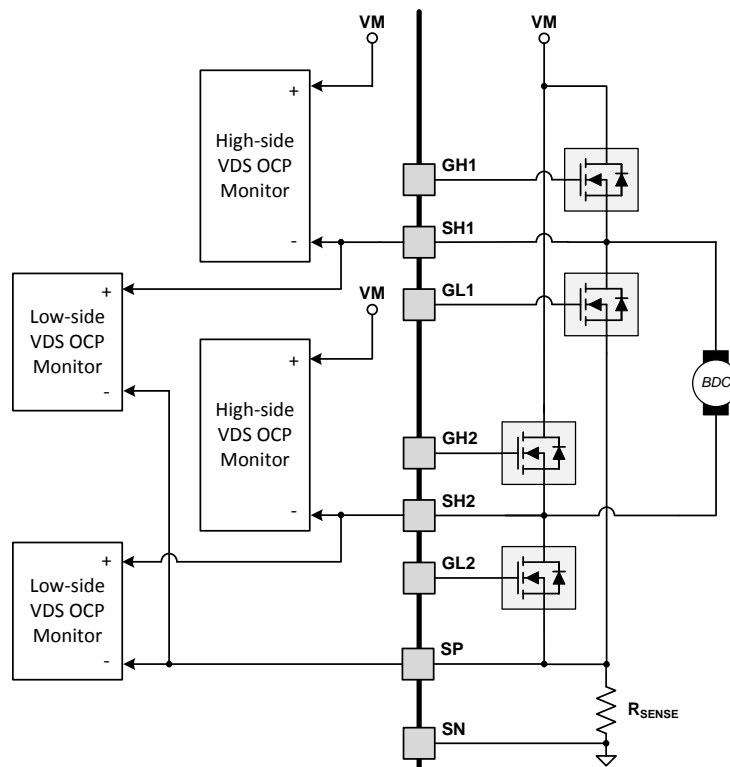
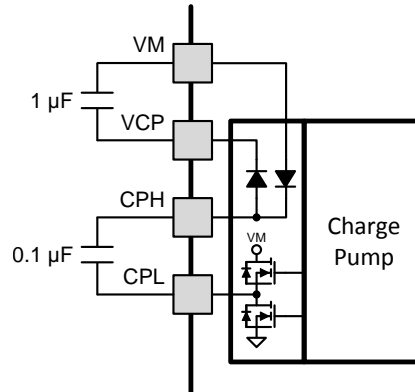


Figure 28. Overcurrent  $V_{DS}$  Monitors

When IDRIVE is shorted to AVDD, the  $V_{DS}$  OCP monitor on the high-side FETs is disabled. In cases where the VM supplied to the DRV8701 can be different from the external H-bridge supply, this setting must be used in order to prevent false overcurrent detection. In this mode, the IDRIVE current is set to 25-mA source and 50-mA sink.

### 7.3.10 Charge Pump

A charge pump is integrated to supply a high-side NMOS gate drive voltage of  $V_{HGS}$ . The charge pump requires a capacitor between the VM and VCP pins. Additionally a low-ESR ceramic capacitor is required between pins CPH and CPL. When VM is below 12 V, this charge pump behaves as a doubler and generates  $V_{CP} = 2 \times V_M - 1.5$  V if unloaded. Above  $V_M = 12$  V, the charge pump regulates  $V_{CP}$  such that  $V_{CP} = V_M + 9.5$  V.



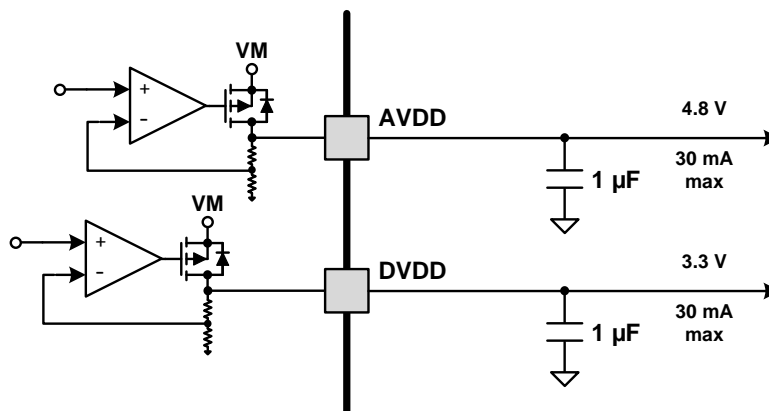
**Figure 29. Charge Pump Diagram**

### 7.3.11 LDO Voltage Regulators

Two LDO regulators are integrated into the DRV8701. They can be used to provide the supply voltage for a low-power microcontroller or other low-current devices. For proper operation, bypass the AVDD and DVDD pins to GND using ceramic capacitors.

The AVDD output voltage is nominally 4.8 V, and the DVDD output is nominally 3.3 V. When the AVDD or DVDD current load exceeds 30 mA, the LDO behaves like a constant current source. The output voltage drops significantly with currents greater than this limit.

Note that AVDD and DVDD are disabled when the device is in sleep mode ( $nSLEEP = 0$ ). In addition, when an overtemperature (TSD) or undervoltage (UVLO) fault is encountered, the AVDD regulator is shut off.



**Figure 30. AVDD and DVDD LDOs**

The power dissipated in the DRV8701 due to these LDOs may be approximated by:

$$\text{Power} = (V_M - AVDD) \times I_{AVDD} + (V_M - DVDD) \times I_{DVDD} \quad (3)$$

For example at  $V_M = 24$  V, drawing 10 mA out of both AVDD and DVDD results in a power dissipation of:

$$\text{Power} = (24 \text{ V} - 4.8 \text{ V}) \times 10 \text{ mA} + (24 \text{ V} - 3.3 \text{ V}) \times 10 \text{ mA} = 192 \text{ mW} + 207 \text{ mW} = 399 \text{ mW} \quad (4)$$

### 7.3.12 Gate Drive Clamp

A clamping structure limits the gate drive output voltage to  $V_{GS\_CLAMP}$  to protect the power FETs from damage. The positive voltage clamp is realized using a series of diodes. The negative voltage clamp uses the body diodes of the internal gate driver FET.

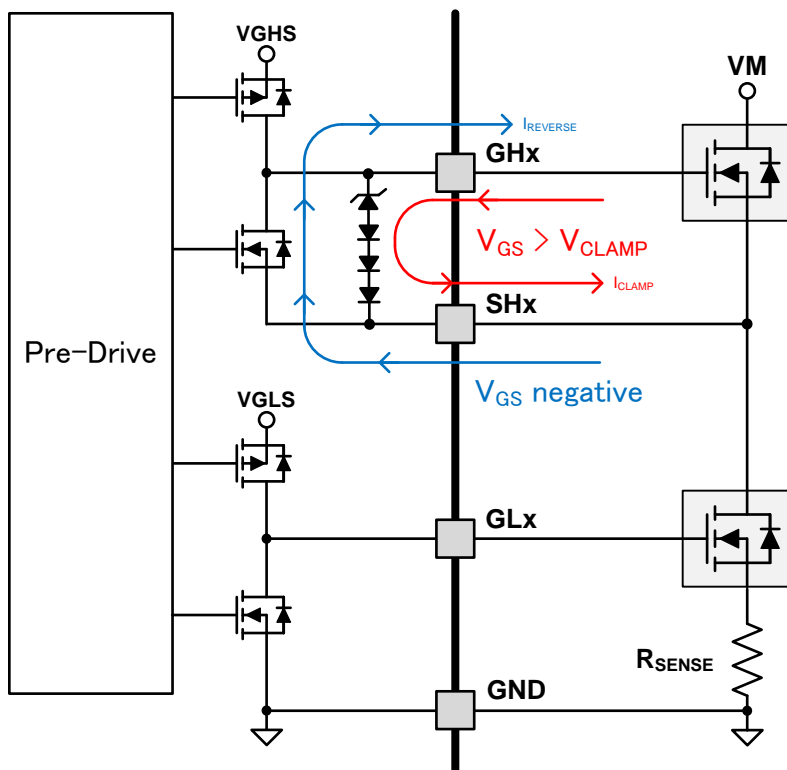


Figure 31. Gate Drive Clamp Diagram

### 7.3.13 Protection Circuits

The DRV8701 is fully protected against VM undervoltage, charge pump undervoltage, overcurrent, gate driver shorts, and overtemperature events.

#### 7.3.13.1 VM Undervoltage Lockout (UVLO)

If at any time the voltage on the VM pin falls below the UVLO threshold voltage, all FETs in the H-bridge are disabled, the charge pump is disabled, AVDD is disabled, and the nFAULT pin is driven low. Operation resumes when VM rises above the UVLO threshold. The nFAULT pin is released after operation has resumed.

#### 7.3.13.2 VCP Undervoltage Lockout (CPUV)

If at any time the voltage on the VCP pin falls below the charge pump undervoltage threshold voltage ( $V_{CPUV}$ ), all FETs in the H-bridge are disabled and the nFAULT pin is driven low. Operation resumes when VCP rises above the CPUV threshold. The nFAULT pin is released after operation has resumed.

#### 7.3.13.3 Overcurrent Protection (OCP)

Overcurrent is sensed by monitoring the  $V_{DS}$  voltage drop across the external FETs (see [Figure 28](#)). If the voltage across a driven FET exceeds the overcurrent trip threshold ( $V_{DS\_OCP}$ ) for longer than the OCP deglitch time ( $t_{OCP}$ ), an OCP event is recognized. As a result, all FETs in the H-bridge are disabled and the nFAULT pin is driven low; the driver is re-enabled after the OCP retry period ( $t_{RETRY}$ ) has passed. nFAULT releases high-Z again at after the retry time. If the fault condition is still present, the cycle repeats. If the fault is no longer present, normal operation resumes and nFAULT remains released high-Z.

This  $V_{DS}$  overcurrent monitor on the high-side FETs can be disabled by using a specific IDRIVE setting. This allows the system to have a higher DRV8701 VM supply than the H-bridge supply.

In addition to this FET  $V_{DS}$  monitor, an overcurrent condition is also detected if the voltage at SP exceeds  $V_{SP\_OCP}$ .

#### 7.3.13.4 Pre-Driver Fault (PDF)

The GHx and GLx pins are monitored such that if the voltage on the external FET gate does not increase above 1 V (when sourcing current) or decrease below 1 V (when sinking current) after  $t_{DRIVE}$ , a pre-driver fault is detected. The device encounters this fault if GHx or GLx are shorted to GND, SHx, or VM. Additionally, the device encounters the pre-driver fault if the IDRIVE setting selected is not sufficient to turn on the external FET. As a result, all FETs in the H-bridge are disabled and the nFAULT pin is driven low. The driver is re-enabled after the retry period ( $t_{RETRY}$ ) has passed. The nFAULT pin is released after operation has resumed.

#### 7.3.13.5 Thermal Shutdown (TSD)

If the die temperature exceeds  $T_{TSD}$ , all FETs in the H-bridge are disabled, the charge pump is shut down, AVDD is disabled, and the nFAULT pin is driven low. After the die temperature has fallen below  $T_{TSD} - T_{HYS}$ , operation automatically resumes. The nFAULT pin is released after operation has resumed.

**Table 7. Fault Response**

| Fault                       | Condition                                                      | H-Bridge | Charge Pump | AVDD      | DVDD      | Recovery                     |
|-----------------------------|----------------------------------------------------------------|----------|-------------|-----------|-----------|------------------------------|
| VM undervoltage (UVLO)      | $VM \leq V_{UVLO}$                                             | Disabled | Disabled    | Disabled  | Operating | $VM \geq V_{UVLO}$           |
| VCP undervoltage (CPUV)     | $VCP < V_{CPUV}$                                               | Disabled | Operating   | Operating | Operating | $VCP > V_{CPUV}$             |
| External FET overload (OCP) | $V_{DS} \geq 1.0\text{ V}$ or $V_{SP} - V_{SN} > 1.0\text{ V}$ | Disabled | Operating   | Operating | Operating | $t_{RETRY}$                  |
| Pre-driver fault (PDF)      | Gate voltage unchanged after $t_{DRIVE}$                       | Disabled | Operating   | Operating | Operating | $t_{RETRY}$                  |
| Thermal shutdown (TSD)      | $T_J \geq 150^\circ\text{C}$                                   | Disabled | Disabled    | Disabled  | Operating | $T_J \leq 130^\circ\text{C}$ |



### 7.3.14 Reverse Supply Protection

The following circuit may be implemented to protect the system from reverse supply conditions. This circuit requires the following additional components:

- NMOS FET
- npn BJT
- Diode
- 10-k $\Omega$  resistor
- 43-k $\Omega$  resistor

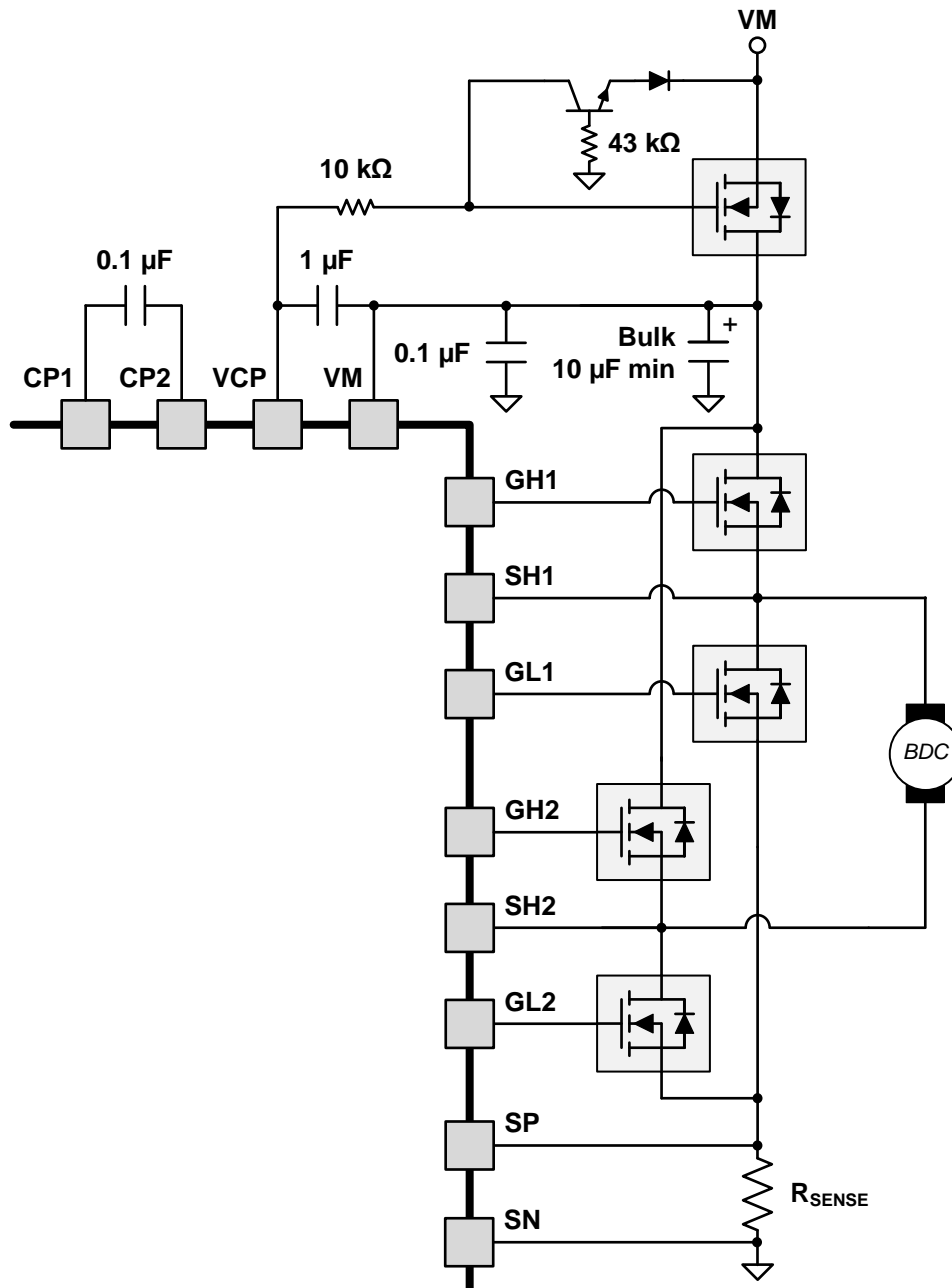


Figure 32. Reverse Supply Protection External Circuitry

## 7.4 Device Functional Modes

The DRV8701 is active unless the nSLEEP pin is brought low. In sleep mode, the charge pump is disabled, the H-bridge FETs are High-Z, and the AVDD and DVDD regulators are disabled. Note that  $t_{\text{SLEEP}}$  must elapse after a falling edge on the nSLEEP pin before the device is in sleep mode. The DRV8701 is brought out of sleep mode if nSLEEP is brought high. Note that  $t_{\text{WAKE}}$  must elapse before the outputs change state after wake-up.

While nSLEEP is brought low, all external H-bridge FETs are disabled. The high-side gate pins GHx are pulled to the output node SHx by an internal resistor, and the low-side gate pins GLx are pulled to GND.

When VM is not applied, and during the power-on time ( $t_{\text{ON}}$ ), the outputs are disabled using weak pulldown resistors between the GHx and SHx pins and between GLx and GND.

**Table 8. Functional Modes**

| Condition  |                                       | Charge Pump | GHx                    | GLx                    | AVDD and DVDD |
|------------|---------------------------------------|-------------|------------------------|------------------------|---------------|
| Unpowered  | $VM < V_{\text{UVLO}}$                | Disabled    | Weak pulldown to SHx   | Weak pulldown to GND   | Disabled      |
| Sleep mode | $V_{\text{UVLO}} < VM$<br>nSLEEP low  | Disabled    | Strong pulldown to GND | Strong pulldown to GND | Disabled      |
| Operating  | $V_{\text{UVLO}} < VM$<br>nSLEEP high | Enabled     | Depends on inputs      | Depends on inputs      | Operating     |

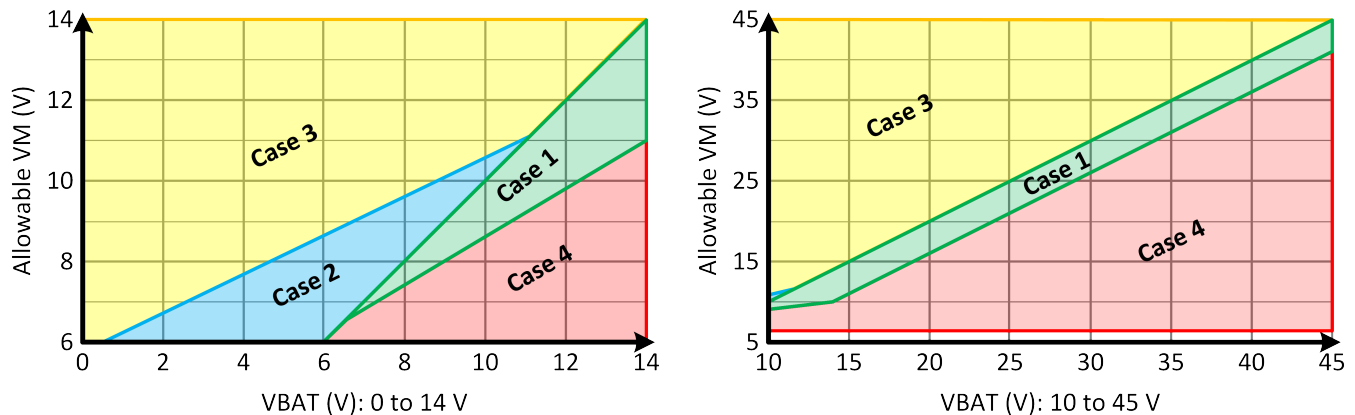
### 7.4.1 Operating DRV8701 and H-Bridge on Separate Supplies

The DRV8701 can operate with a different supply voltage (VM) than the system H-bridge supply (VBAT). Case 1 describes normal operation when VM and VBAT are roughly the same. Special considerations must be taken into account for Cases 2, 3, and 4.

- **Case 1:** VM ≈ VBAT. Recommended operation
- **Case 2:** VM > VBAT. IDRIVE must be shorted to AVDD to disable the high-side OCP. The IDRIVE current is fixed at 25-mA source and 50-mA sink. This case can allow the driver to better enhance the external FETs for VBAT < 11.5 V, or operate down to a lower supply voltage below 5.9 V.
- **Case 3:** VM > VBAT (higher than Case 2). IDRIVE must be shorted to AVDD to disable the high-side OCP. This case can also allow the driver to better enhance the external FETs, or operate down to a lower supply voltage below 5.9 V. The IDRIVE current is fixed at 25-mA source and 50-mA sink. Excess gate drive current may be driven through the DRV8701 gate clamps causing additional power dissipation in the DRV8701.
- **Case 4:** VM < VBAT. The high-side FETs may not be in saturation. There may be a significant voltage drop across the high-side FET when driving current. This causes high power dissipation in the external FET. When operating in Case 4, the external FET threshold voltage must be greater than 2 V. Otherwise the DRV8701 will report a pre-driver fault whenever the FET is out of saturation.

**Table 9. VM Operational Range based on VBAT**

| VBAT Range            | Case 3                                | Case 2                                 | Case 1                               | Case 4                                |
|-----------------------|---------------------------------------|----------------------------------------|--------------------------------------|---------------------------------------|
| 1 V ≤ VBAT < 5.9 V    | VM ≥ 0.5 × VBAT + 5.75 V<br>VM ≤ 45 V | VM ≥ 5.9 V<br>VM < 0.5 × VBAT + 5.75 V | N/A                                  | N/A                                   |
| 5.9 V ≤ VBAT < 6.4 V  |                                       | VM > VBAT<br>VM < 0.5 × VBAT + 5.75 V  | VM = VBAT                            | VM ≥ 5.9 V<br>VM < VBAT               |
| 6.4 V ≤ VBAT < 11.5 V |                                       |                                        | VM > 0.6 × VBAT + 2.5 V<br>VM ≤ VBAT | VM ≥ 5.9 V<br>VM ≤ 0.6 × VBAT + 2.5 V |
| 11.5 V ≤ VBAT < 14 V  | VM > VBAT<br>VM ≤ 45 V                | N/A                                    | VM > VBAT – 4 V<br>VM ≤ VBAT         | VM ≥ 5.9 V<br>VM ≤ VBAT – 4 V         |
| 14 V ≤ VBAT ≤ 45 V    |                                       |                                        |                                      |                                       |



**Figure 33. VM Operating Range Based on Motor Supply Voltage**

When nSLEEP is low, VM may be reduced down to 0 V with up to 45 V present at VBAT. However, nSLEEP should not be brought high until VM is supplied with a voltage aligning with one of the cases outlined above.

## 8 Application and Implementation

### NOTE

Information in the following applications sections is not part of the TI component specification, and TI does not warrant its accuracy or completeness. TI's customers are responsible for determining suitability of components for their purposes. Customers should validate and test their design implementation to confirm system functionality.

### 8.1 Application Information

The DRV8701 is used in brushed-DC, solenoid, or relay control.

### 8.2 Typical Applications

#### 8.2.1 Brushed-DC Motor Control

The following design procedure can be used to configure the DRV8701.

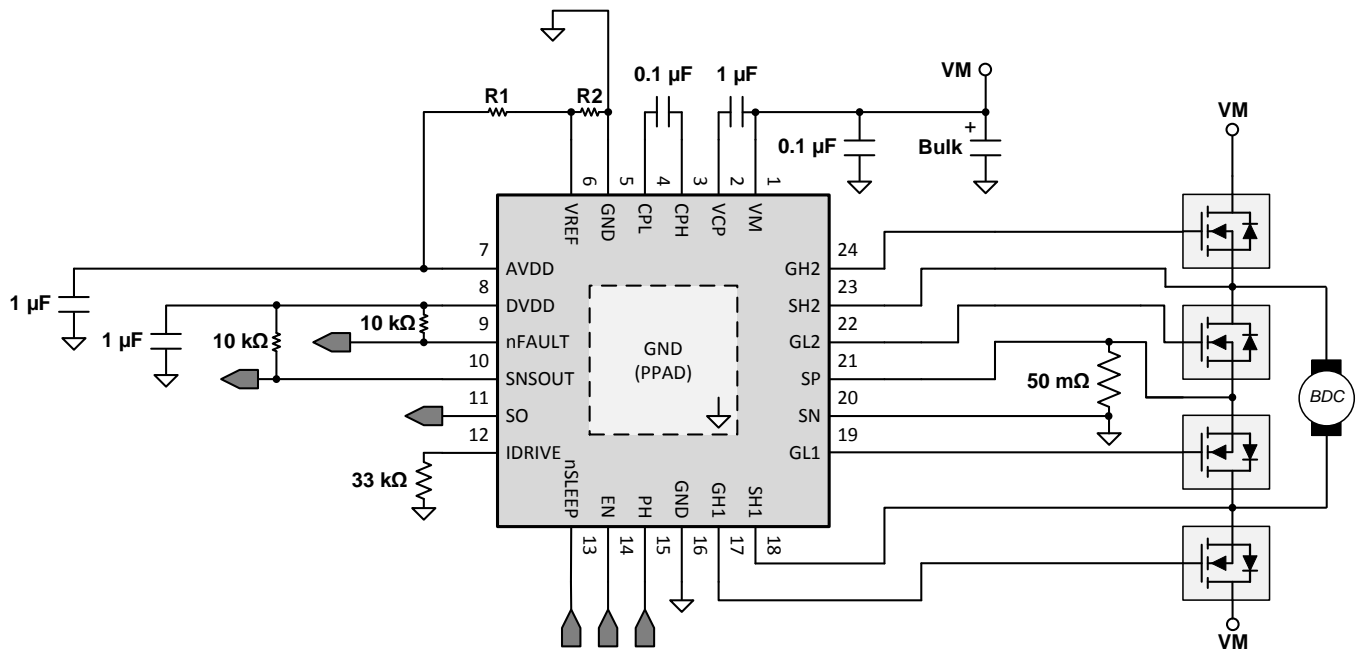


Figure 34. Typical Application Schematic

#### 8.2.1.1 Design Requirements

Table 10 gives design input parameters for system design.

Table 10. Design Parameters

| Design Parameter                        | Reference                             | Example Value      |
|-----------------------------------------|---------------------------------------|--------------------|
| Nominal supply voltage                  | VM                                    | 18 V               |
| Supply voltage range                    | VM <sub>MIN</sub> , VM <sub>MAX</sub> | 12 to 24 V         |
| FET total gate charge <sup>(1)</sup>    | Q <sub>G</sub>                        | 14 nC (typically)  |
| FET gate-to-drain charge <sup>(1)</sup> | Q <sub>GD</sub>                       | 2.3 nC (typically) |
| Target FET gate rise time               | RT                                    | 100 to 300 ns      |
| Motor current chopping level            | I <sub>CHOP</sub>                     | 3 A                |

(1) FET part number is CSD88537ND.

### 8.2.1.2 Detailed Design Procedure

#### 8.2.1.2.1 External FET Selection

The DRV8701 FET support is based on the charge pump capacity and output PWM frequency. For a quick calculation of FET driving capacity, use the following equations when drive and brake (slow decay) are the primary modes of operation:

$$Q_G < \frac{I_{VCP}}{f_{PWM}}$$

where

- $f_{PWM}$  is the maximum desired PWM frequency to be applied to the DRV8701 inputs or the current chopping frequency, whichever is larger.
- $I_{VCP}$  is the charge pump capacity, which depends on VM. (5)

The internal current chopping frequency is at most:

$$f_{PWM} < \frac{1}{t_{OFF} + t_{BLANK}} \approx 38 \text{ kHz} \quad (6)$$

*Example:* If a system at VM = 7 V ( $I_{VCP} = 8 \text{ mA}$ ) uses a maximum PWM frequency of 40 kHz, then the DRV8701 will support  $Q_G < 200 \text{ nC}$  FETs.

If the application will require a forced fast decay (or alternating between drive and reverse drive), the maximum FET driving capacity is given by:

$$Q_G < \frac{I_{VCP}}{2 \times f_{PWM}} \quad (7)$$

#### 8.2.1.2.2 IDRIVE Configuration

Select IDRIVE based on the gate charge of the FETs. Configure this pin so that the FET gates are charged completely during  $t_{DRIVE}$ . If the designer chooses an IDRIVE that is too low for a given FET, then the FET may not turn on completely. TI suggests to adjust these values in-system with the required external FETs and motor to determine the best possible setting for any application.

For FETs with a known gate-to-drain charge ( $Q_{GD}$ ) and desired rise time (RT), select IDRIVE based on:

$$IDRIVE > \frac{Q_{GD}}{RT} \quad (8)$$

*Example:* If the gate-to-drain charge is 2.3 nC, and the desired rise time is around 100 to 300 ns,

IDRIVE1 = 2.3 nC / 100 ns = 23 mA

IDRIVE2 = 2.3 nC / 300 ns = 7.7 mA

Select IDRIVE between 7.7 and 23 mA

Select IDRIVE as 12.5-mA source (25-mA sink)

Requires a 33-kΩ resistor from the IDRIVE pin to GND

#### 8.2.1.2.3 Current Chopping Configuration

The chopping current is set based on the sense resistor value and the analog voltage at VREF. Calculate the current using Equation 9. The amplifier gain  $A_V$  is 20 V/V and  $V_{OFF}$  is typically 50 mV.

*Example:* If the desired chopping current is 3 A,

Set  $R_{SENSE} = 50 \text{ m}\Omega$

$$I_{CHOP} = \frac{V_{REF} - V_{OFF}}{A_V \times R_{SENSE}} \quad (9)$$

VREF would have to be 3.05 V.

Create a resistor divider from AVDD (4.8 V) to set  $V_{REF} \approx 3 \text{ V}$

Set R2 = 3.3 kΩ; set R1 = 2 kΩ.

8.2.1.3 Application Curves

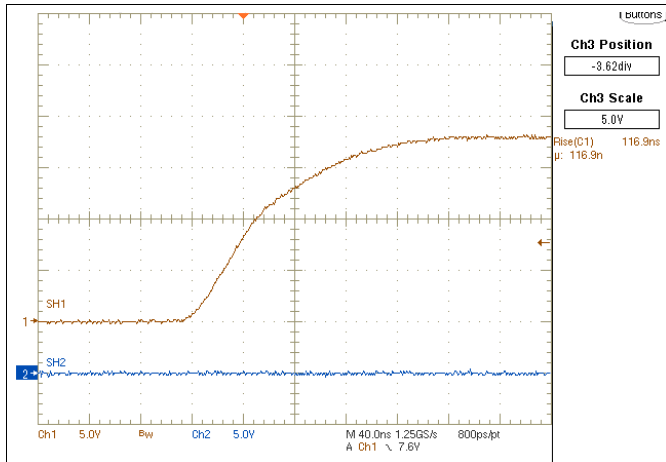


Figure 35. SH1 Rise Time (12.5-mA Source, 25-mA Sink)

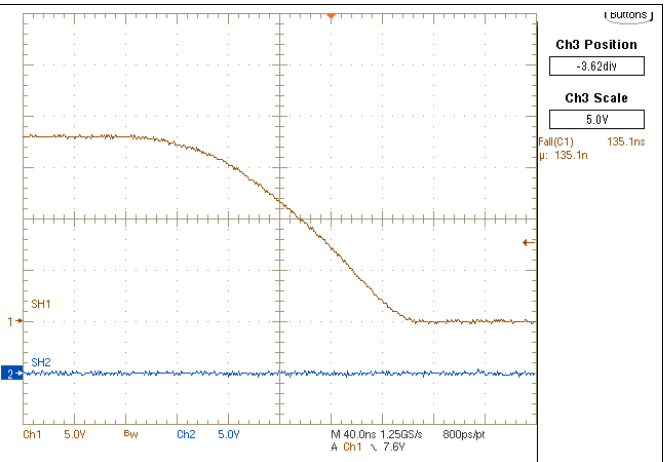


Figure 36. SH1 Fall Time (12.5-mA Source, 25-mA Sink)

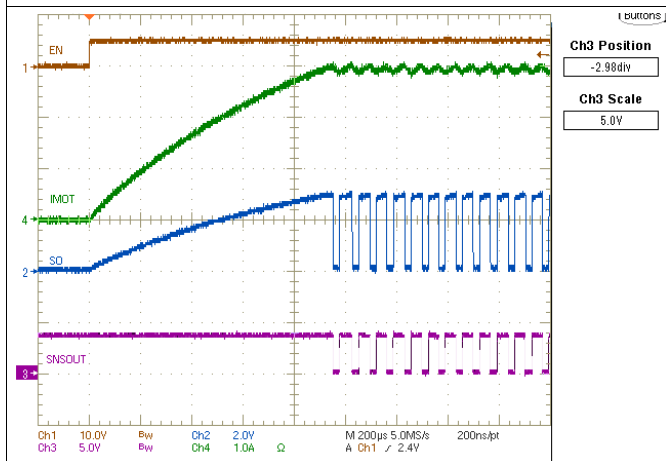


Figure 37. Current Regulating at 3 A on Motor Startup

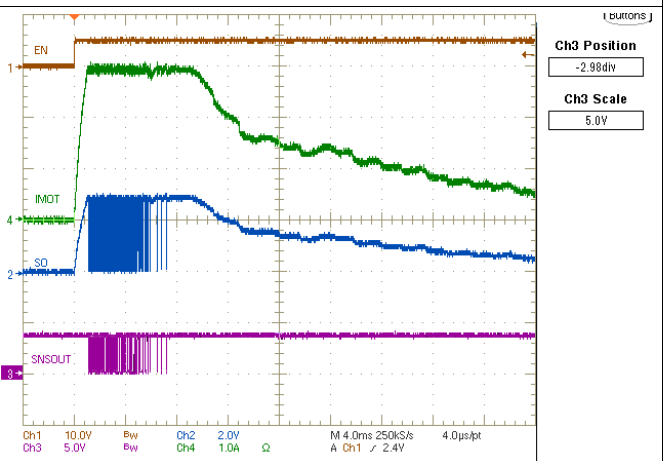


Figure 38. Current Profile on Motor Startup With Regulation

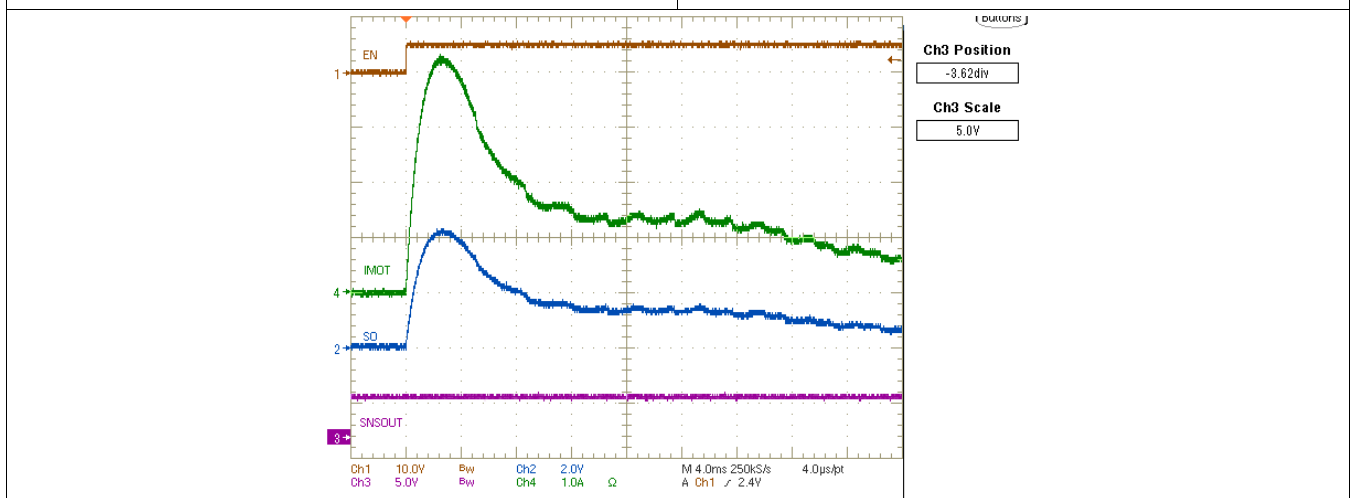


Figure 39. Current Profile on Motor Startup Without Regulation

### 8.2.2 Alternate Application

In this example, the DRV8701 is powered from a supply that is boosted above VBAT. This allows the system to work at lower VBAT voltages, but requires the user to disable OCP monitoring.

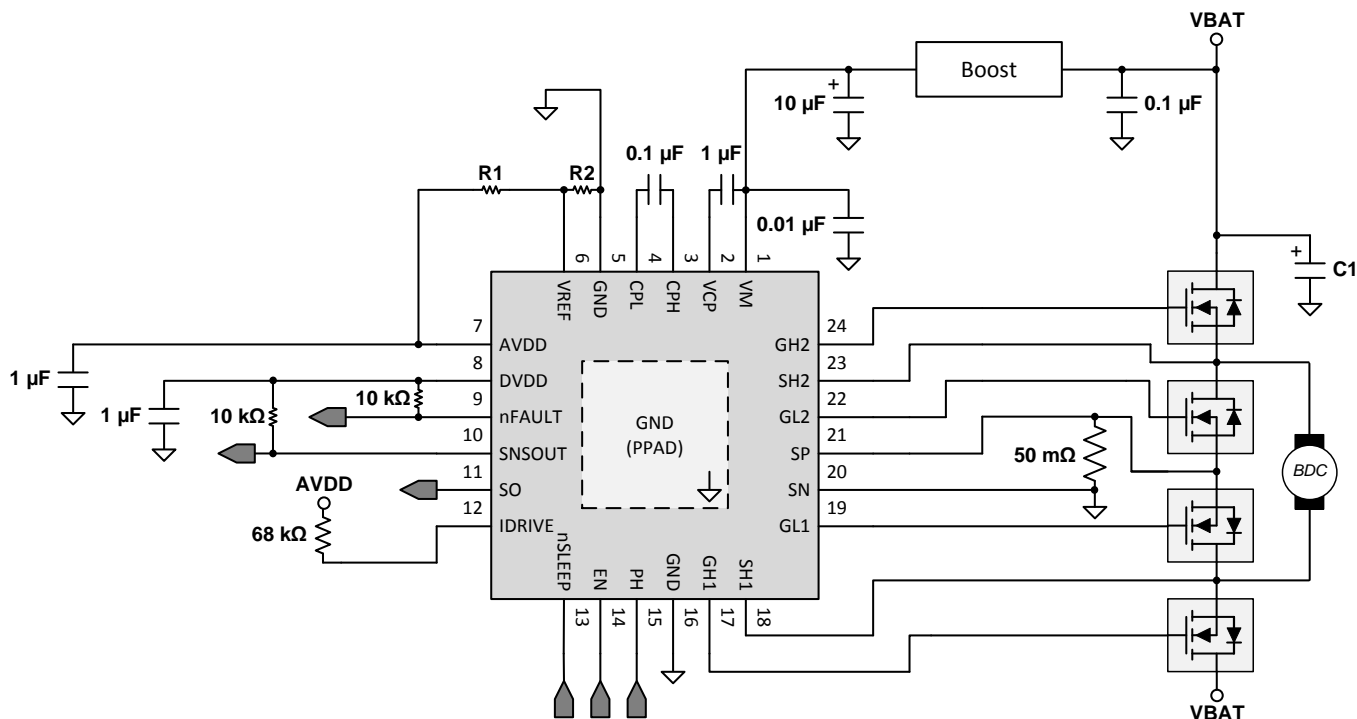


Figure 40. DRV8701 on Boosted Supply

#### 8.2.2.1 Design Requirements

Table 11 gives design input parameters for system design.

Table 11. Design Parameters

| Design Parameter             | Reference | Example Value                                         |
|------------------------------|-----------|-------------------------------------------------------|
| Battery voltage              | VBAT      | 12 V nominal<br>Minimum operation: 4.0 V              |
| DRV8701 supply voltage       | VM        | VM = 7 V when VBAT < 7 V<br>VM = VBAT when VBAT ≥ 7 V |
| FET total gate charge        | QG        | 42 nC                                                 |
| FET gate-to-drain charge     | QGD       | 11 nC                                                 |
| Motor current chopping level | ICHOP     | 3 A                                                   |

### 8.2.3 Detailed Design Procedure

#### 8.2.3.1 IDRIVE Configuration

Because the VM supply to the DRV8701 is different from the external H-bridge supply VBAT, the designer must disable the overcurrent monitor to prevent false overcurrent detection. The designer must place a 68-kΩ resistor between the IDRIVE pin and AVDD.

IDRIVE is fixed at 25-mA source and 50-mA sink in this mode.

So, the rise time is  $11 \text{ nC} / 25 \text{ mA} = 440 \text{ ns}$ .

### 8.2.3.2 VM Boost Voltage

To determine an effective voltage to boost VM, first determine the minimum VBAT at which the system must operate. Select VM such that the gate driver clamps do not turn on during normal operation.

$$VM < \frac{VBAT + 11.5 \text{ V}}{2} \quad (10)$$

*Example:* If VBAT minimum is 4.0 V,

$$VM < 7.75 \text{ V}$$

So VM = 7 V is selected to allow for adequate margin.

## 9 Power Supply Recommendations

The DRV8701 is designed to operate from an input voltage supply (VM) range between 5.9 and 45 V. A 0.1-μF ceramic capacitor rated for VM must be placed as close to the DRV8701 as possible. In addition, the designer must include a bulk capacitor with a valued of at least 10 μF on VM.

Bypassing the external H-bridge FETs requires additional bulk capacitance.

### 9.1 Bulk Capacitance Sizing

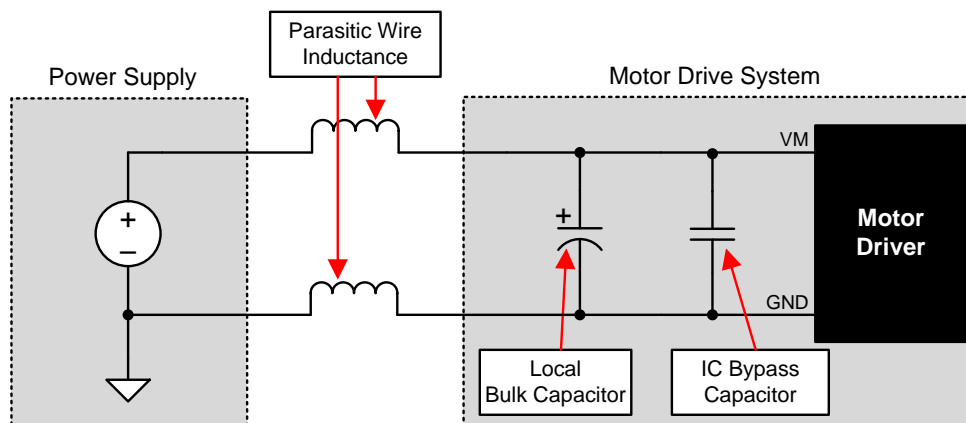
Having appropriate local bulk capacitance is an important factor in motor drive system design. It is generally beneficial to have more bulk capacitance, while the disadvantages are increased cost and physical size.

The amount of local capacitance needed depends on a variety of factors, including:

- The highest current required by the motor system
- The power supply's capacitance and ability to source current
- The amount of parasitic inductance between the power supply and motor system
- The acceptable voltage ripple
- The type of motor used (brushed DC, brushless DC, stepper)
- The motor braking method

The inductance between the power supply and motor drive system will limit the rate current can change from the power supply. If the local bulk capacitance is too small, the system will respond to excessive current demands or dumps from the motor with a change in voltage. When adequate bulk capacitance is used, the motor voltage remains stable and high current can be quickly supplied.

The datasheet generally provides a recommended value, but system-level testing is required to determine the appropriate sized bulk capacitor.



**Figure 41. Example Setup of Motor Drive System With External Power Supply**

The voltage rating for bulk capacitors should be higher than the operating voltage, to provide margin for cases when the motor transfers energy to the supply.



## 10 Layout

### 10.1 Layout Guidelines

Bypass the VM pin to GND using a low-ESR ceramic bypass capacitor with a recommended value of 0.1  $\mu\text{F}$  rated for VM. Place this capacitor as close to the VM pin as possible with a thick trace or ground plane connection to the device GND pin.

Bypass the VM pin to ground using a bulk capacitor rated for VM. This component may be an electrolytic. This capacitance must be at least 10  $\mu\text{F}$ . The bulk capacitor should be placed to minimize the distance of the high-current path through the external FETs. The connecting metal trace widths should be as wide as possible, and numerous vias should be used when connecting PCB layers. These practices minimize inductance and allow the bulk capacitor to deliver high current.

Place a low-ESR ceramic capacitor in between the CPL and CPH pins. The value for this component is 0.1  $\mu\text{F}$  rated for VM. Place this component as close to the pins as possible.

Place a low-ESR ceramic capacitor in between the VM and VCP pins. The value for this component is 1  $\mu\text{F}$  rated for 16 V. Place this component as close to the pins as possible.

Bypass AVDD and DVDD to ground with ceramic capacitors rated at 6.3 V. Place these bypassing capacitors as close to the pins as possible.

If desired, align the external NMOS FETs as shown in Figure 42 to facilitate layout. Route the SH2 and SH1 nets to the motor.

Use separate traces to connect the SP and SN pins to the  $R_{\text{SENSE}}$  terminals.

### 10.2 Layout Example

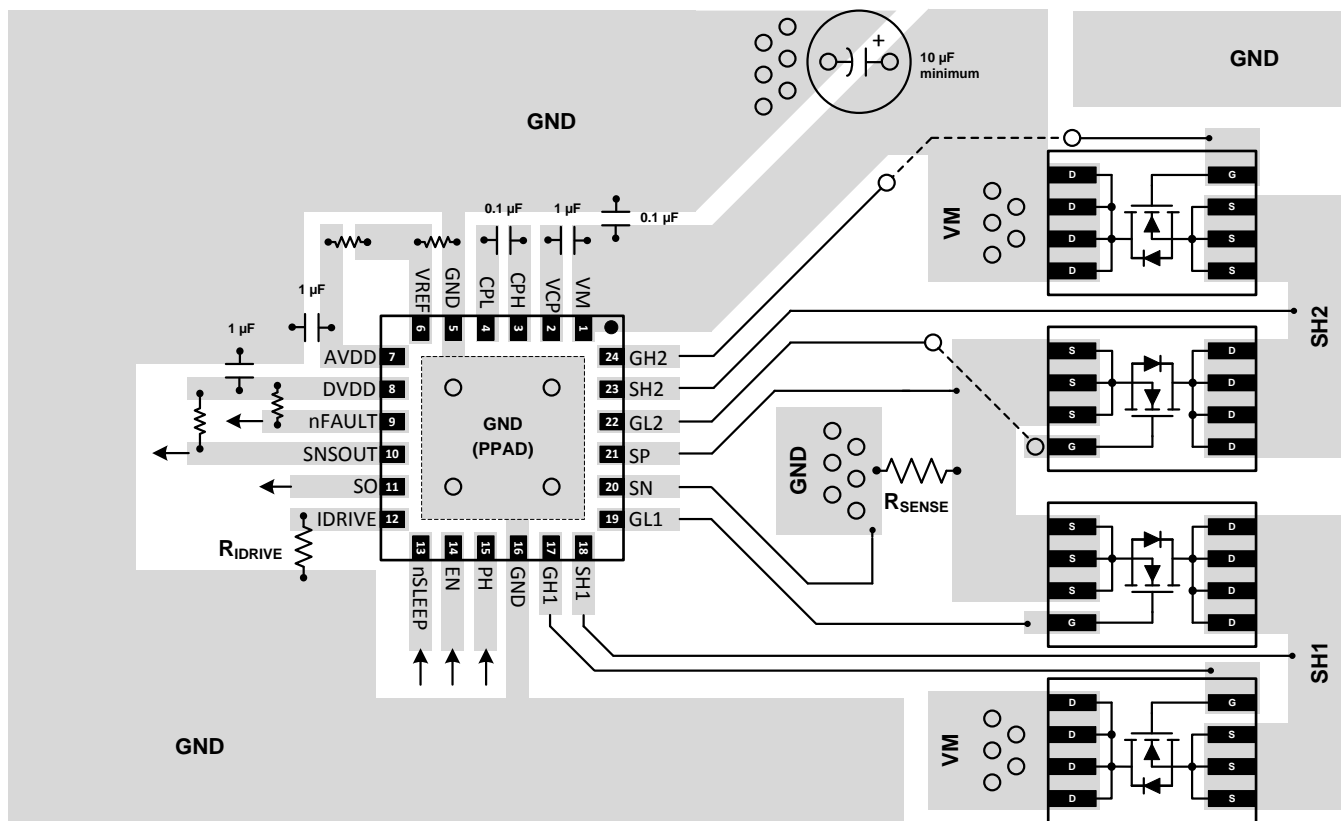


Figure 42. Layout Recommendation

## 11 Device and Documentation Support

### 11.1 Documentation Support

#### 11.1.1 Related Documentation

- *PowerPAD™ Thermally Enhanced Package*, [SLMA002](#)
- *PowerPAD™ Made Easy*, [SLMA004](#)
- *Current Recirculation and Decay Modes*, [SLVA321](#)

### 11.2 Community Resources

The following links connect to TI community resources. Linked contents are provided "AS IS" by the respective contributors. They do not constitute TI specifications and do not necessarily reflect TI's views; see TI's [Terms of Use](#).

**TI E2E™ Online Community** *TI's Engineer-to-Engineer (E2E) Community*. Created to foster collaboration among engineers. At [e2e.ti.com](#), you can ask questions, share knowledge, explore ideas and help solve problems with fellow engineers.

**Design Support** *TI's Design Support* Quickly find helpful E2E forums along with design support tools and contact information for technical support.

### 11.3 Trademarks

PowerPAD, E2E are trademarks of Texas Instruments. All other trademarks are the property of their respective owners.

### 11.4 Electrostatic Discharge Caution



These devices have limited built-in ESD protection. The leads should be shorted together or the device placed in conductive foam during storage or handling to prevent electrostatic damage to the MOS gates.

### 11.5 Glossary

[SLYZ022](#) — *TI Glossary*.

This glossary lists and explains terms, acronyms, and definitions.

## 12 Mechanical, Packaging, and Orderable Information

The following pages include mechanical, packaging, and orderable information. This information is the most current data available for the designated devices. This data is subject to change without notice and revision of this document. For browser-based versions of this data sheet, refer to the left-hand navigation.

**PACKAGING INFORMATION**

| Orderable Device | Status<br>(1) | Package Type | Package Drawing | Pins | Package Qty | Eco Plan<br>(2) | Lead finish/<br>Ball material<br>(6) | MSL Peak Temp<br>(3) | Op Temp (°C) | Device Marking<br>(4/5) | Samples                 |
|------------------|---------------|--------------|-----------------|------|-------------|-----------------|--------------------------------------|----------------------|--------------|-------------------------|-------------------------|
| DRV8701ERGER     | ACTIVE        | VQFN         | RGE             | 24   | 3000        | RoHS & Green    | NIPDAU                               | Level-2-260C-1 YEAR  | -40 to 125   | 8701E                   | <a href="#">Samples</a> |
| DRV8701ERGET     | ACTIVE        | VQFN         | RGE             | 24   | 250         | RoHS & Green    | NIPDAU                               | Level-2-260C-1 YEAR  | -40 to 125   | 8701E                   | <a href="#">Samples</a> |
| DRV8701PRGER     | ACTIVE        | VQFN         | RGE             | 24   | 3000        | RoHS & Green    | NIPDAU                               | Level-2-260C-1 YEAR  | -40 to 125   | 8701P                   | <a href="#">Samples</a> |
| DRV8701PRGET     | ACTIVE        | VQFN         | RGE             | 24   | 250         | RoHS & Green    | NIPDAU                               | Level-2-260C-1 YEAR  | -40 to 125   | 8701P                   | <a href="#">Samples</a> |

(1) The marketing status values are defined as follows:

**ACTIVE:** Product device recommended for new designs.

**LIFEBUY:** TI has announced that the device will be discontinued, and a lifetime-buy period is in effect.

**NRND:** Not recommended for new designs. Device is in production to support existing customers, but TI does not recommend using this part in a new design.

**PREVIEW:** Device has been announced but is not in production. Samples may or may not be available.

**OBSELETE:** TI has discontinued the production of the device.

(2) **RoHS:** TI defines "RoHS" to mean semiconductor products that are compliant with the current EU RoHS requirements for all 10 RoHS substances, including the requirement that RoHS substance do not exceed 0.1% by weight in homogeneous materials. Where designed to be soldered at high temperatures, "RoHS" products are suitable for use in specified lead-free processes. TI may reference these types of products as "Pb-Free".

**RoHS Exempt:** TI defines "RoHS Exempt" to mean products that contain lead but are compliant with EU RoHS pursuant to a specific EU RoHS exemption.

**Green:** TI defines "Green" to mean the content of Chlorine (Cl) and Bromine (Br) based flame retardants meet JS709B low halogen requirements of <=1000ppm threshold. Antimony trioxide based flame retardants must also meet the <=1000ppm threshold requirement.

(3) MSL, Peak Temp. - The Moisture Sensitivity Level rating according to the JEDEC industry standard classifications, and peak solder temperature.

(4) There may be additional marking, which relates to the logo, the lot trace code information, or the environmental category on the device.

(5) Multiple Device Markings will be inside parentheses. Only one Device Marking contained in parentheses and separated by a "-" will appear on a device. If a line is indented then it is a continuation of the previous line and the two combined represent the entire Device Marking for that device.

(6) Lead finish/Ball material - Orderable Devices may have multiple material finish options. Finish options are separated by a vertical ruled line. Lead finish/Ball material values may wrap to two lines if the finish value exceeds the maximum column width.

**Important Information and Disclaimer:**The information provided on this page represents TI's knowledge and belief as of the date that it is provided. TI bases its knowledge and belief on information provided by third parties, and makes no representation or warranty as to the accuracy of such information. Efforts are underway to better integrate information from third parties. TI has taken and

continues to take reasonable steps to provide representative and accurate information but may not have conducted destructive testing or chemical analysis on incoming materials and chemicals. TI and TI suppliers consider certain information to be proprietary, and thus CAS numbers and other limited information may not be available for release.

In no event shall TI's liability arising out of such information exceed the total purchase price of the TI part(s) at issue in this document sold by TI to Customer on an annual basis.

**TAPE AND REEL INFORMATION**

**QUADRANT ASSIGNMENTS FOR PIN 1 ORIENTATION IN TAPE**


\*All dimensions are nominal

| Device       | Package Type | Package Drawing | Pins | SPQ  | Reel Diameter (mm) | Reel Width W1 (mm) | A0 (mm) | B0 (mm) | K0 (mm) | P1 (mm) | W (mm) | Pin1 Quadrant |
|--------------|--------------|-----------------|------|------|--------------------|--------------------|---------|---------|---------|---------|--------|---------------|
| DRV8701ERGER | VQFN         | RGE             | 24   | 3000 | 330.0              | 12.4               | 4.25    | 4.25    | 1.15    | 8.0     | 12.0   | Q2            |
| DRV8701ERGET | VQFN         | RGE             | 24   | 250  | 180.0              | 12.4               | 4.25    | 4.25    | 1.15    | 8.0     | 12.0   | Q2            |
| DRV8701PRGER | VQFN         | RGE             | 24   | 3000 | 330.0              | 12.4               | 4.25    | 4.25    | 1.15    | 8.0     | 12.0   | Q2            |
| DRV8701PRGET | VQFN         | RGE             | 24   | 250  | 180.0              | 12.4               | 4.25    | 4.25    | 1.15    | 8.0     | 12.0   | Q2            |

**TAPE AND REEL BOX DIMENSIONS**


\*All dimensions are nominal

| Device       | Package Type | Package Drawing | Pins | SPQ  | Length (mm) | Width (mm) | Height (mm) |
|--------------|--------------|-----------------|------|------|-------------|------------|-------------|
| DRV8701ERGER | VQFN         | RGE             | 24   | 3000 | 367.0       | 367.0      | 35.0        |
| DRV8701ERGET | VQFN         | RGE             | 24   | 250  | 210.0       | 185.0      | 35.0        |
| DRV8701PRGER | VQFN         | RGE             | 24   | 3000 | 367.0       | 367.0      | 35.0        |
| DRV8701PRGET | VQFN         | RGE             | 24   | 250  | 210.0       | 185.0      | 35.0        |

**RGE 24**

**GENERIC PACKAGE VIEW**

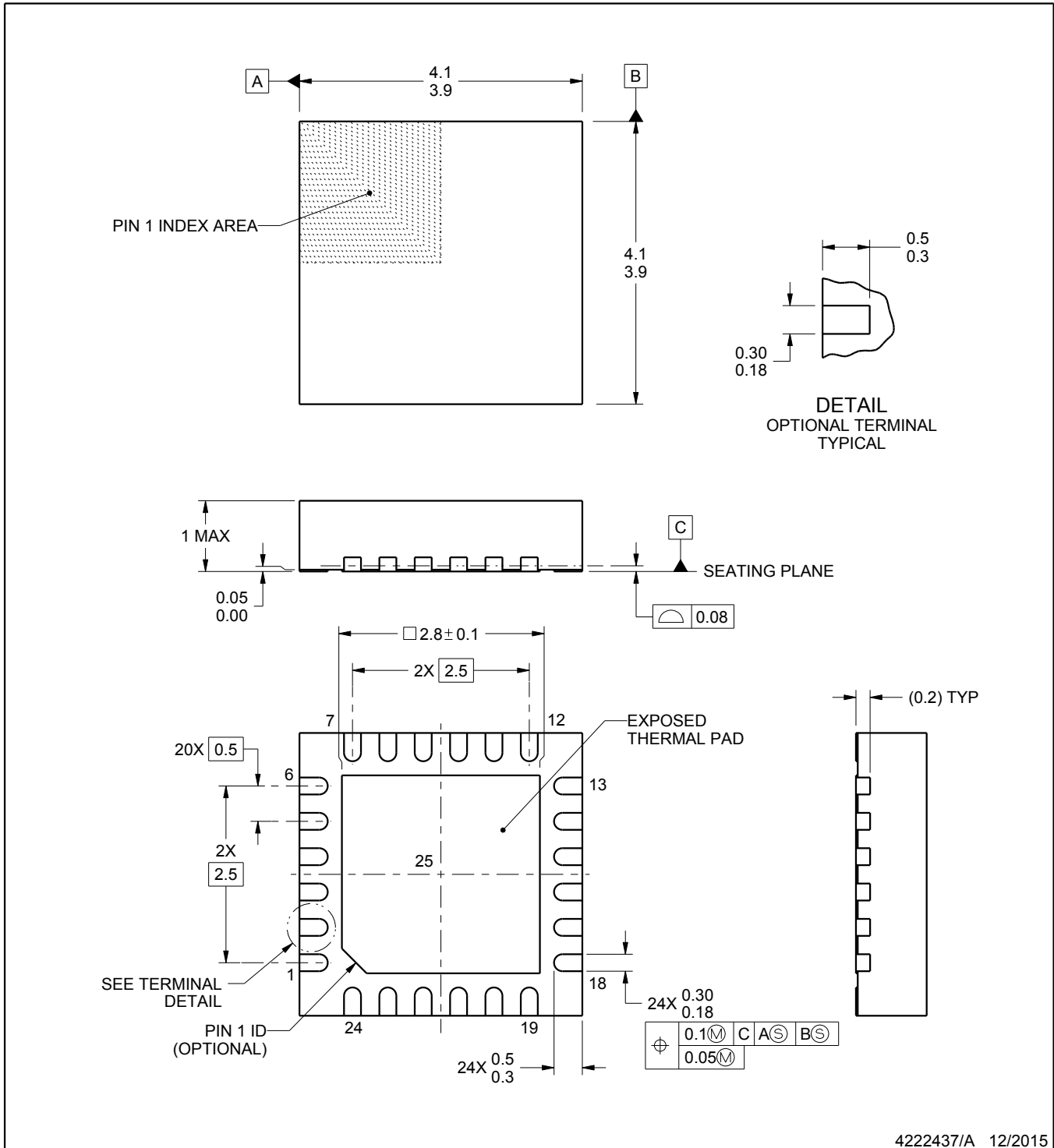
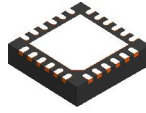
**VQFN - 1 mm max height**

PLASTIC QUAD FLATPACK - NO LEAD



Images above are just a representation of the package family, actual package may vary.  
Refer to the product data sheet for package details.

4204104/H



4222437/A 12/2015

NOTES:

1. All linear dimensions are in millimeters. Any dimensions in parenthesis are for reference only. Dimensioning and tolerancing per ASME Y14.5M.
2. This drawing is subject to change without notice.
3. The package thermal pad must be soldered to the printed circuit board for thermal and mechanical performance.
4. Reference JEDEC registration MO-220.

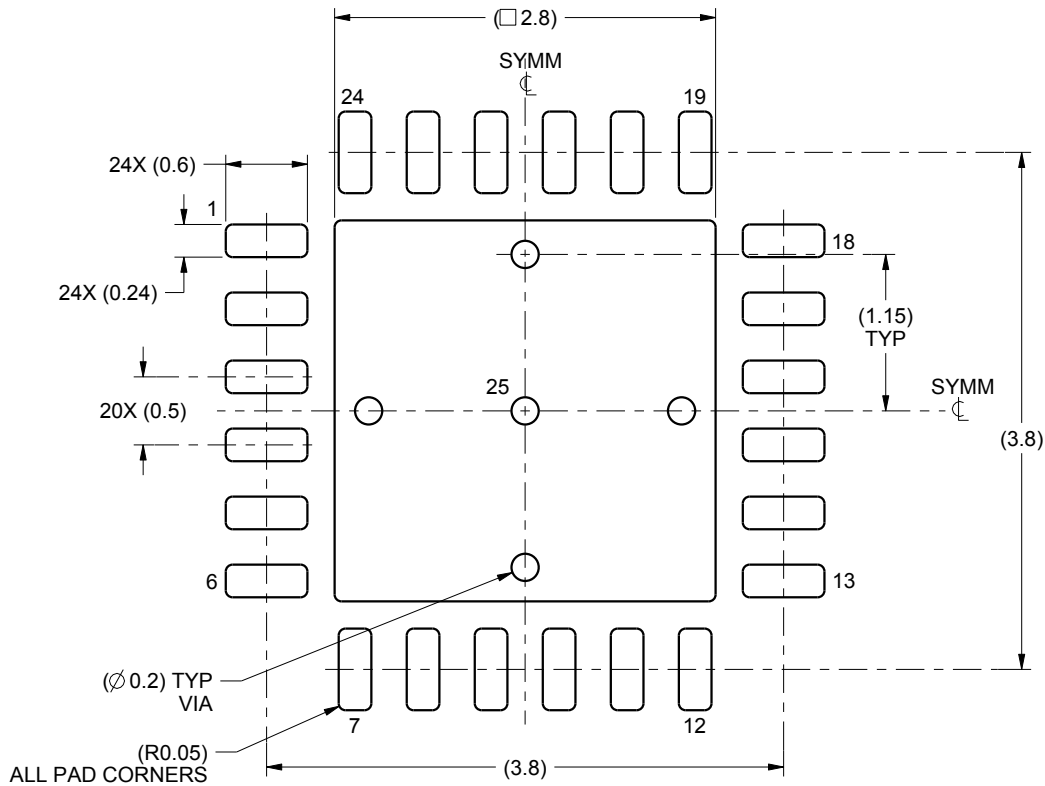


# EXAMPLE BOARD LAYOUT

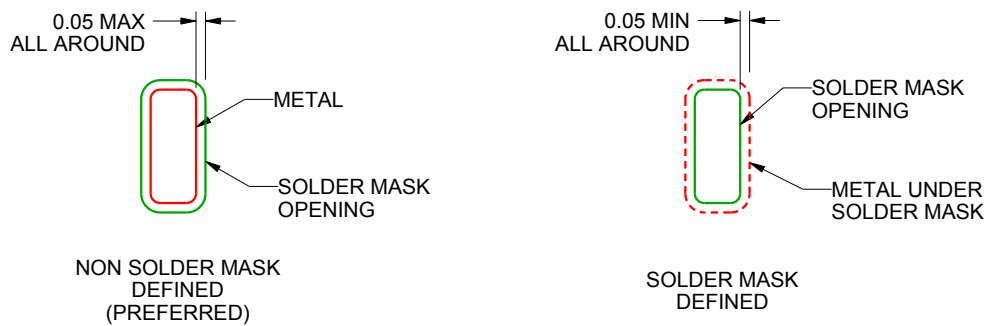
RGE0024F

VQFN - 1 mm max height

PLASTIC QUAD FLATPACK - NO LEAD



LAND PATTERN EXAMPLE  
SCALE:18X



SOLDER MASK DETAILS

4222437/A 12/2015

NOTES: (continued)

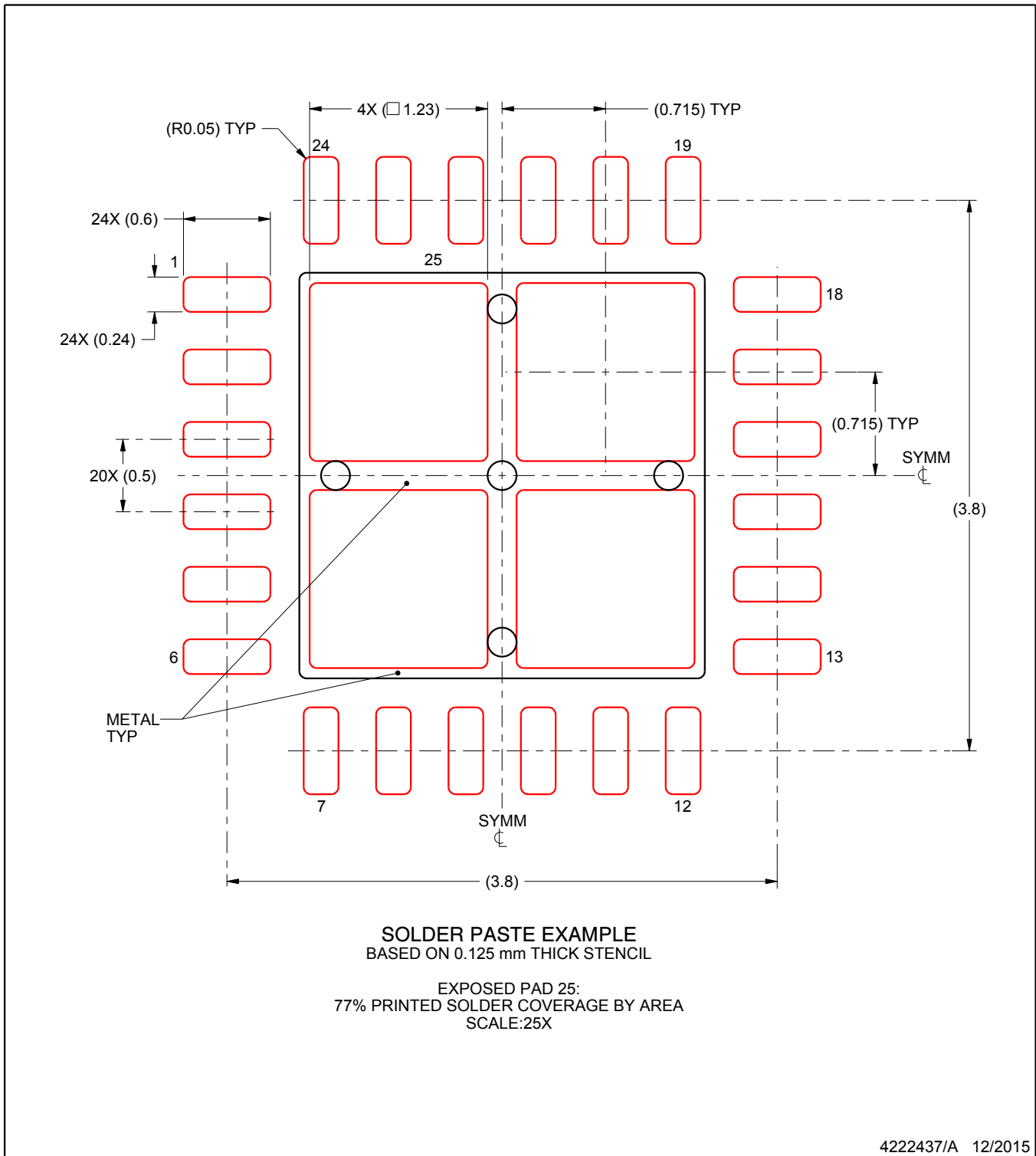
5. This package is designed to be soldered to a thermal pad on the board. For more information, see Texas Instruments literature number SLUA271 ([www.ti.com/lit/sl原因271](http://www.ti.com/lit/sl原因271)).
6. Vias are optional depending on application, refer to device data sheet. If some or all are implemented, recommended via locations are shown.

# EXAMPLE STENCIL DESIGN

RGE0024F

VQFN - 1 mm max height

PLASTIC QUAD FLATPACK - NO LEAD



NOTES: (continued)

7. Laser cutting apertures with trapezoidal walls and rounded corners may offer better paste release. IPC-7525 may have alternate design recommendations.

## IMPORTANT NOTICE AND DISCLAIMER

TI PROVIDES TECHNICAL AND RELIABILITY DATA (INCLUDING DATASHEETS), DESIGN RESOURCES (INCLUDING REFERENCE DESIGNS), APPLICATION OR OTHER DESIGN ADVICE, WEB TOOLS, SAFETY INFORMATION, AND OTHER RESOURCES "AS IS" AND WITH ALL FAULTS, AND DISCLAIMS ALL WARRANTIES, EXPRESS AND IMPLIED, INCLUDING WITHOUT LIMITATION ANY IMPLIED WARRANTIES OF MERCHANTABILITY, FITNESS FOR A PARTICULAR PURPOSE OR NON-INFRINGEMENT OF THIRD PARTY INTELLECTUAL PROPERTY RIGHTS.

These resources are intended for skilled developers designing with TI products. You are solely responsible for (1) selecting the appropriate TI products for your application, (2) designing, validating and testing your application, and (3) ensuring your application meets applicable standards, and any other safety, security, or other requirements. These resources are subject to change without notice. TI grants you permission to use these resources only for development of an application that uses the TI products described in the resource. Other reproduction and display of these resources is prohibited. No license is granted to any other TI intellectual property right or to any third party intellectual property right. TI disclaims responsibility for, and you will fully indemnify TI and its representatives against, any claims, damages, costs, losses, and liabilities arising out of your use of these resources.

TI's products are provided subject to TI's Terms of Sale ([www.ti.com/legal/termsofsale.html](http://www.ti.com/legal/termsofsale.html)) or other applicable terms available either on [ti.com](http://ti.com) or provided in conjunction with such TI products. TI's provision of these resources does not expand or otherwise alter TI's applicable warranties or warranty disclaimers for TI products.

Mailing Address: Texas Instruments, Post Office Box 655303, Dallas, Texas 75265  
Copyright © 2020, Texas Instruments Incorporated