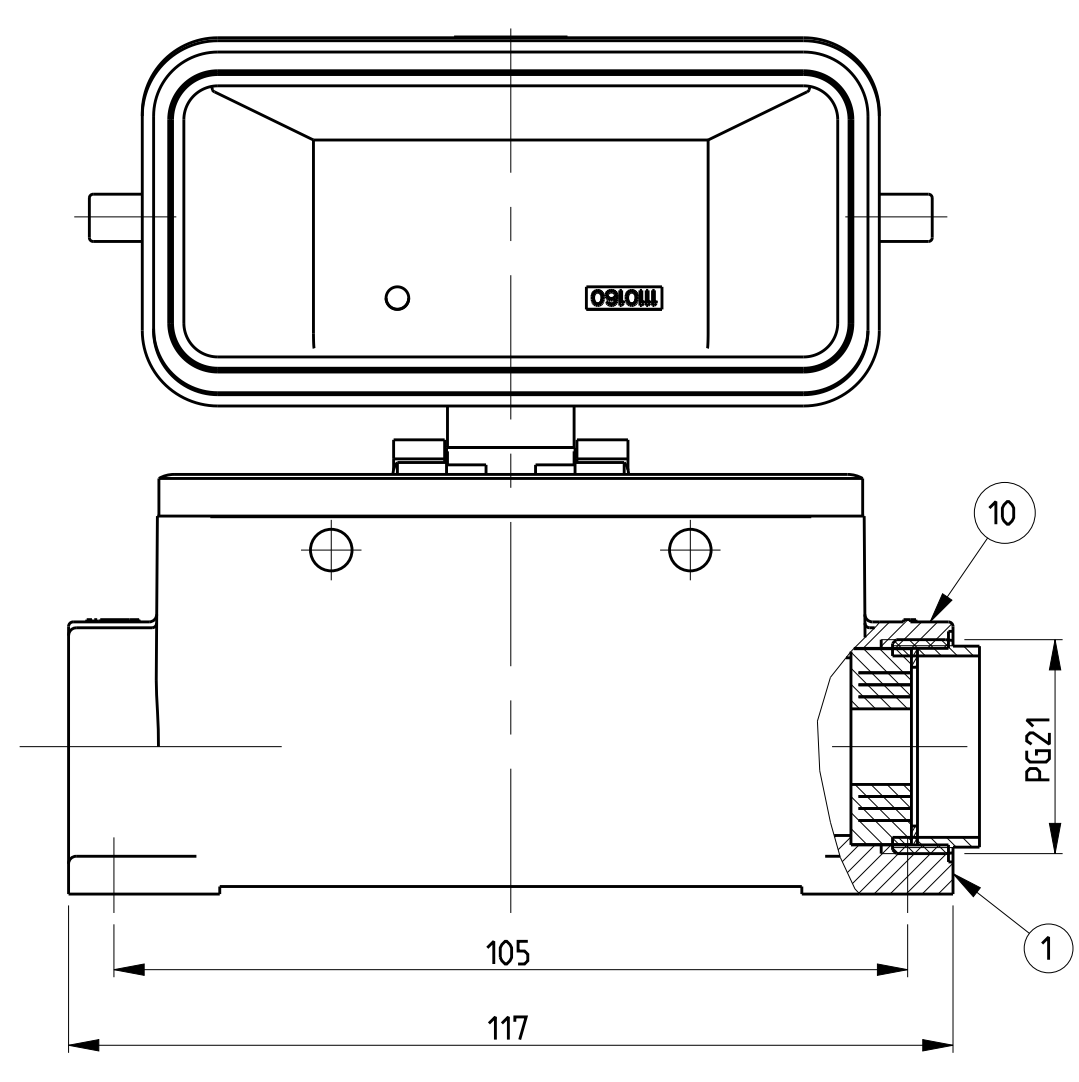
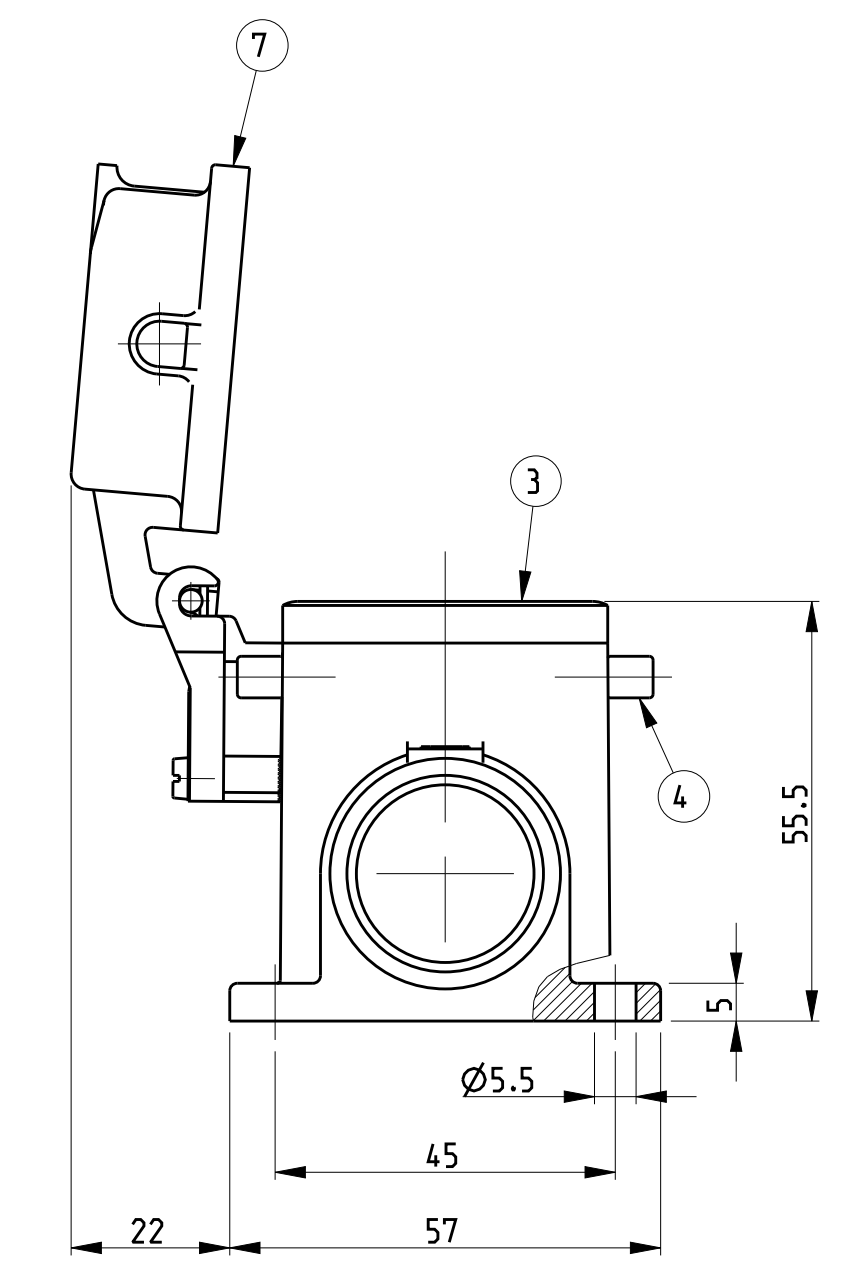


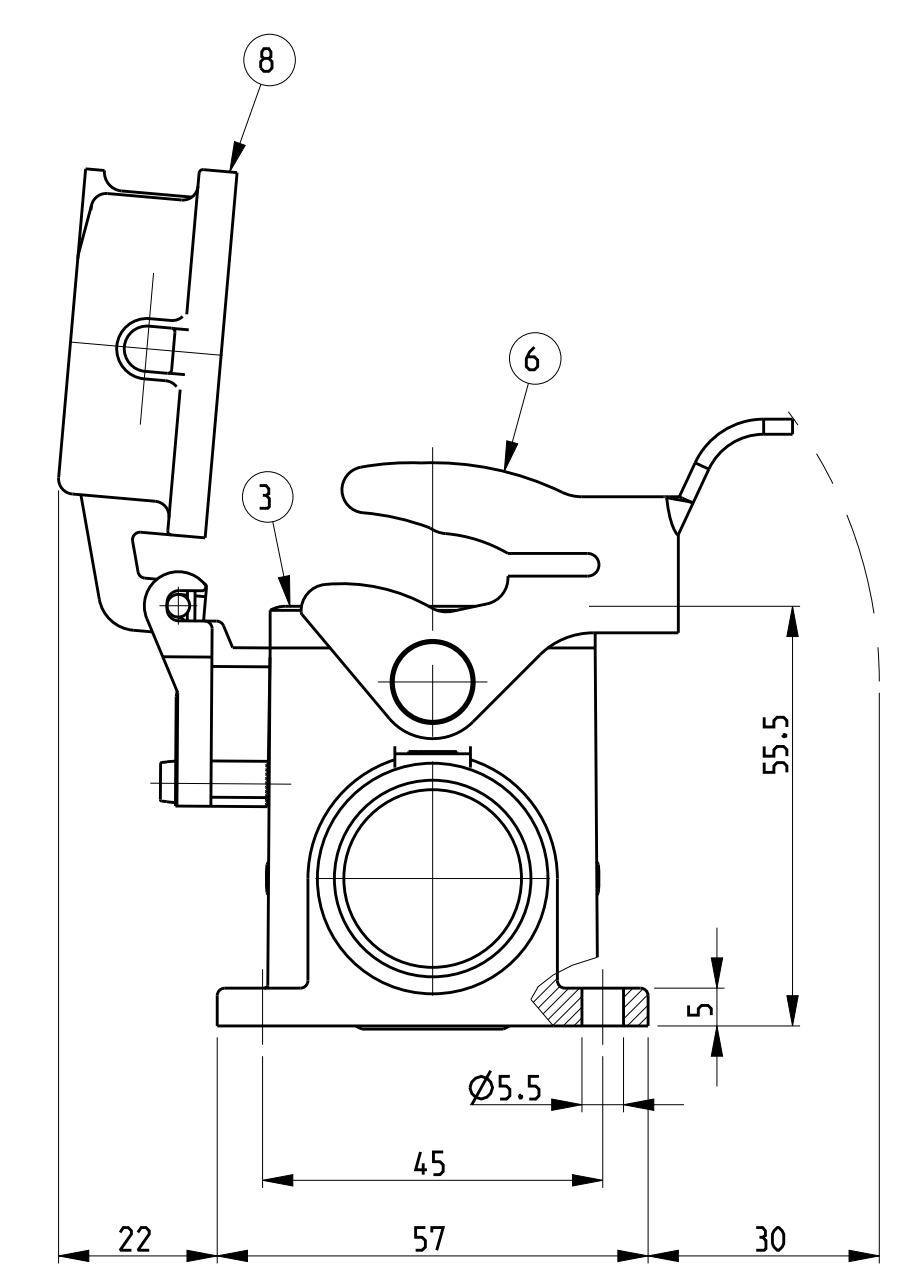
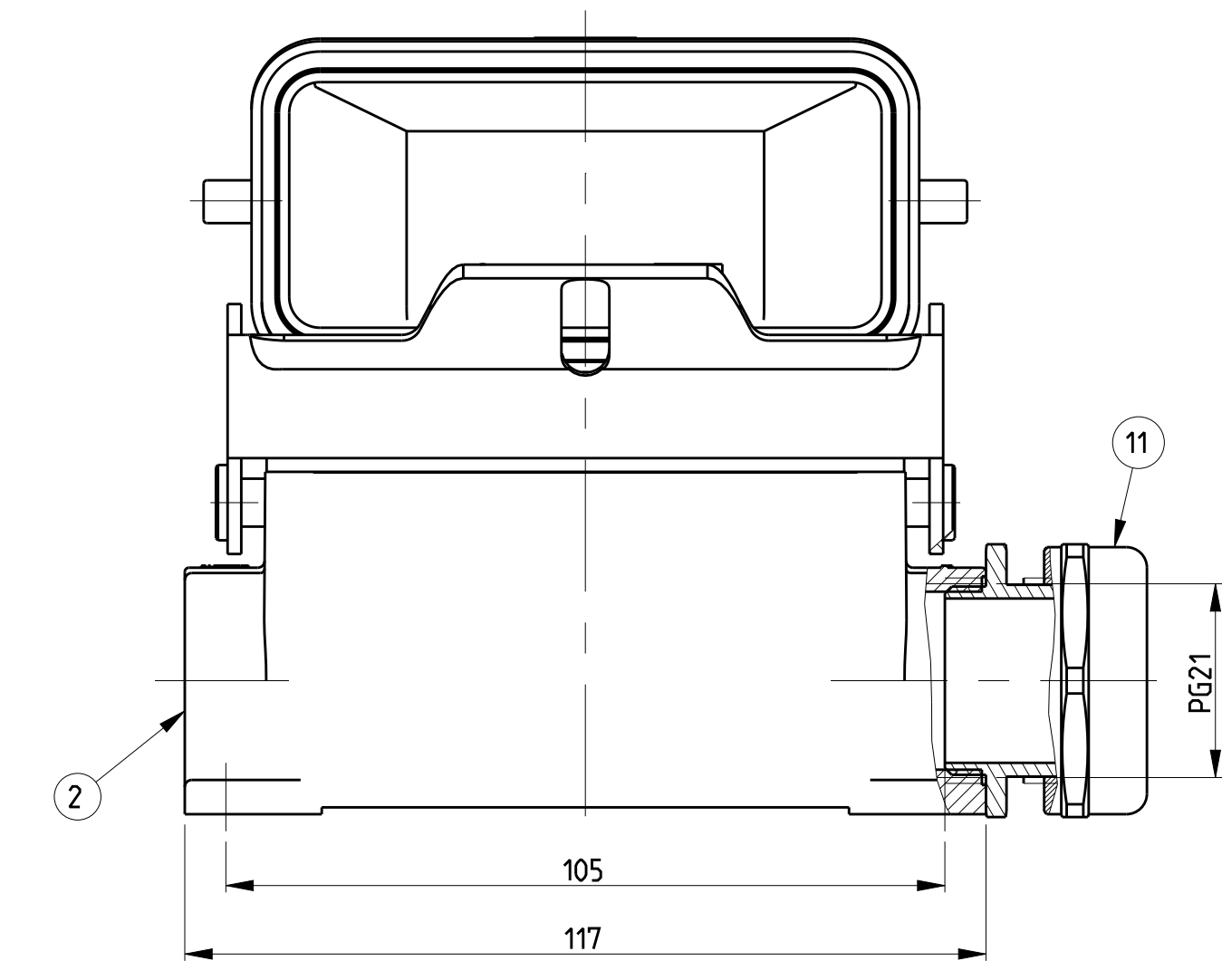
REVISIONS				
REV	DATE	BY	APPV	DESCRIPTION
A3	16. July 2008	SP	TS	Released as per ECR-08-017827
A4	10 JAN 2020	SB	MKO	REVISED PER ECR-20-000199



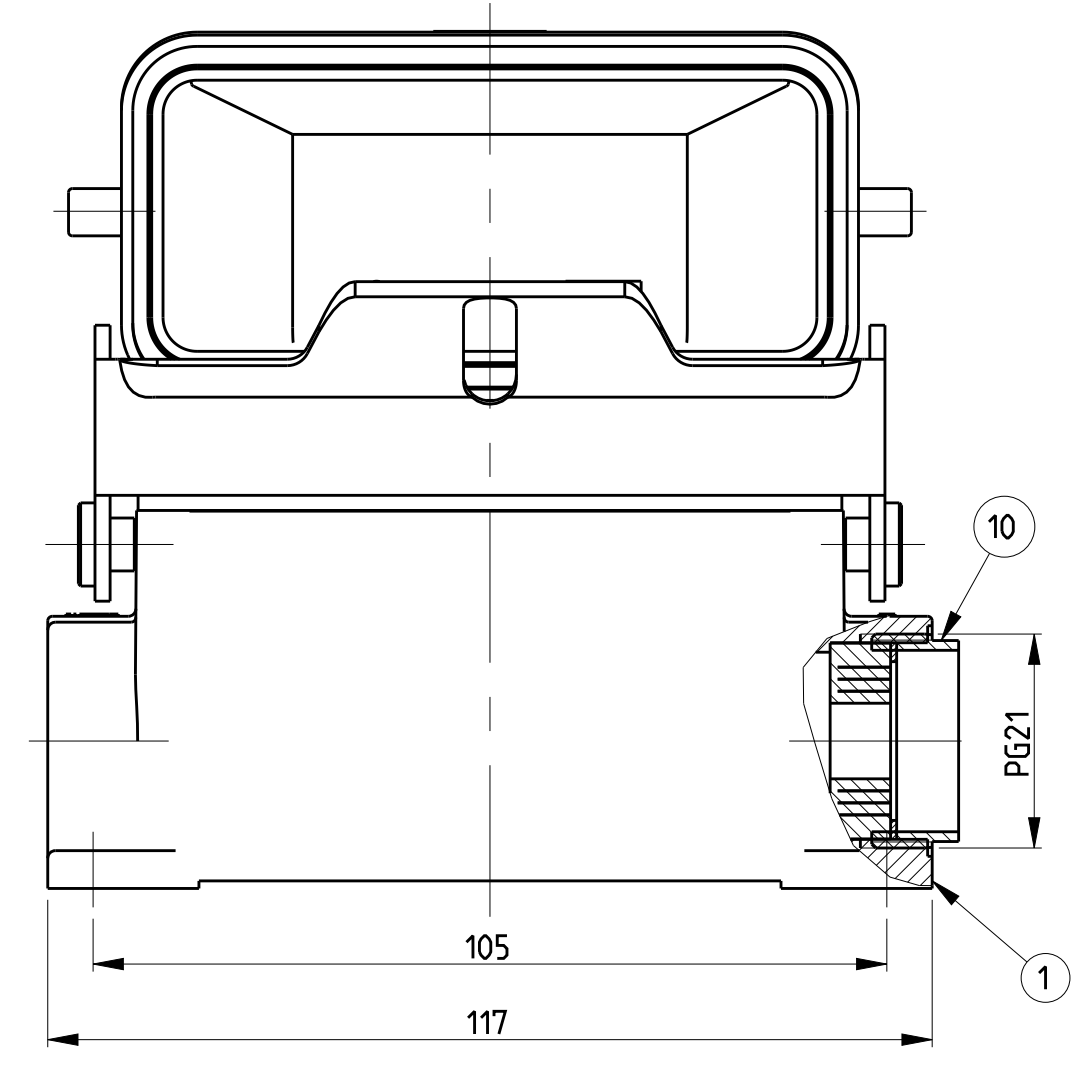
PN 1-6



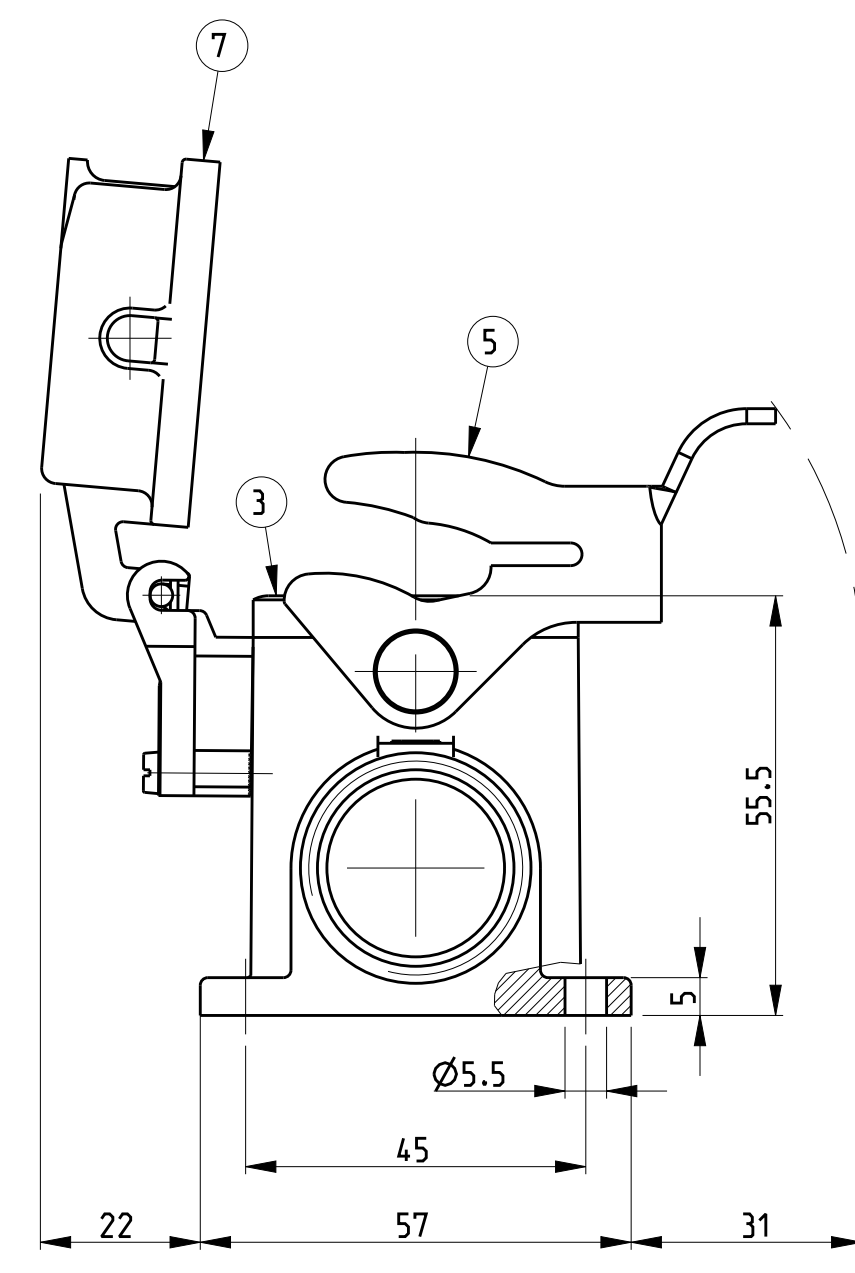
PN 2-2



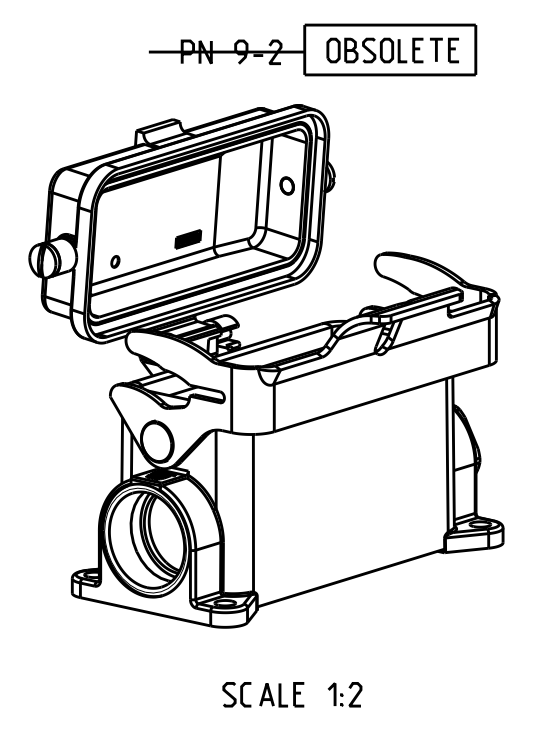
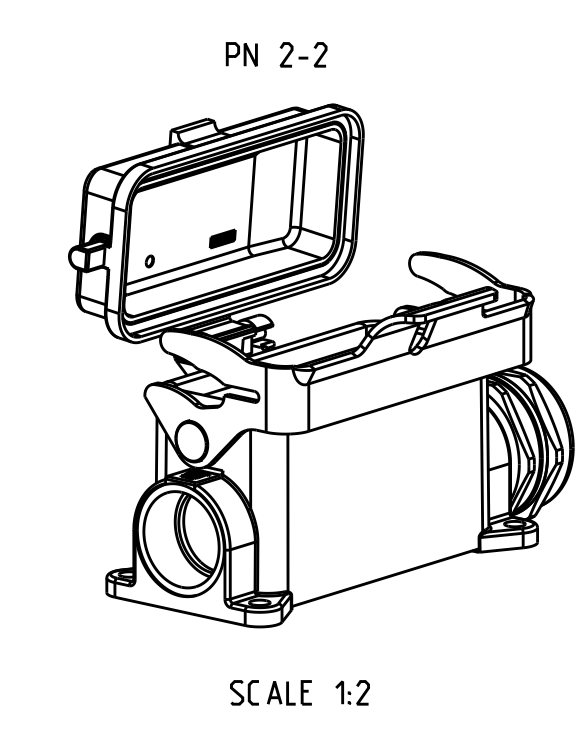
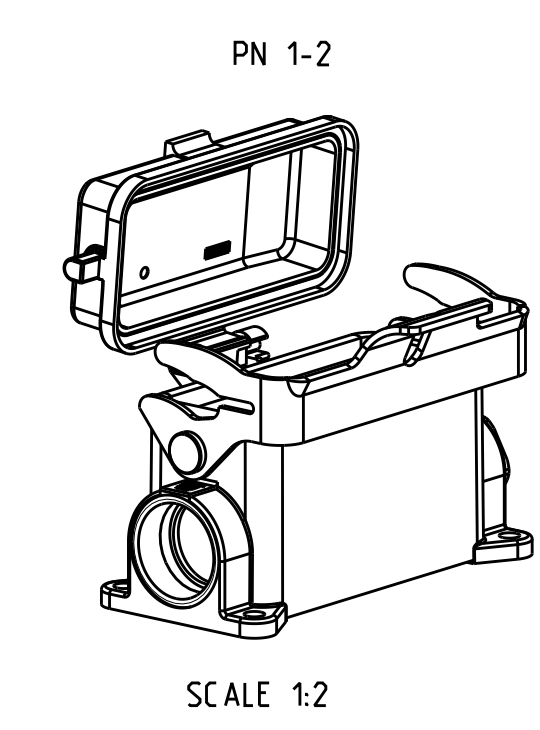
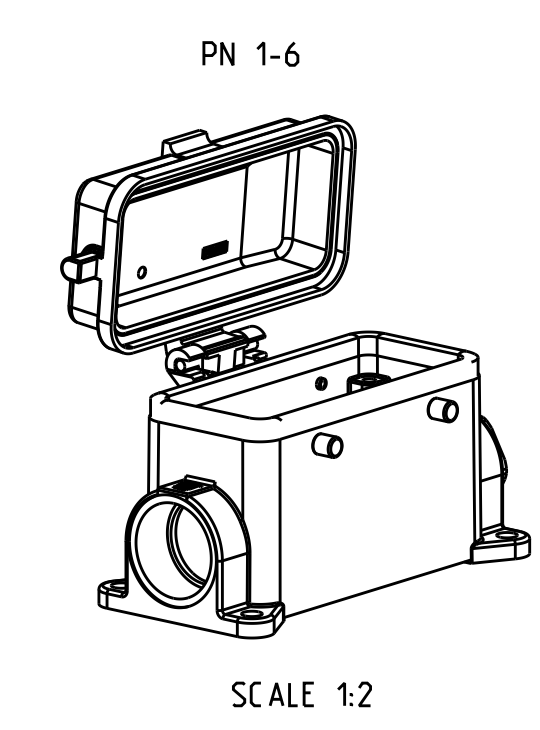
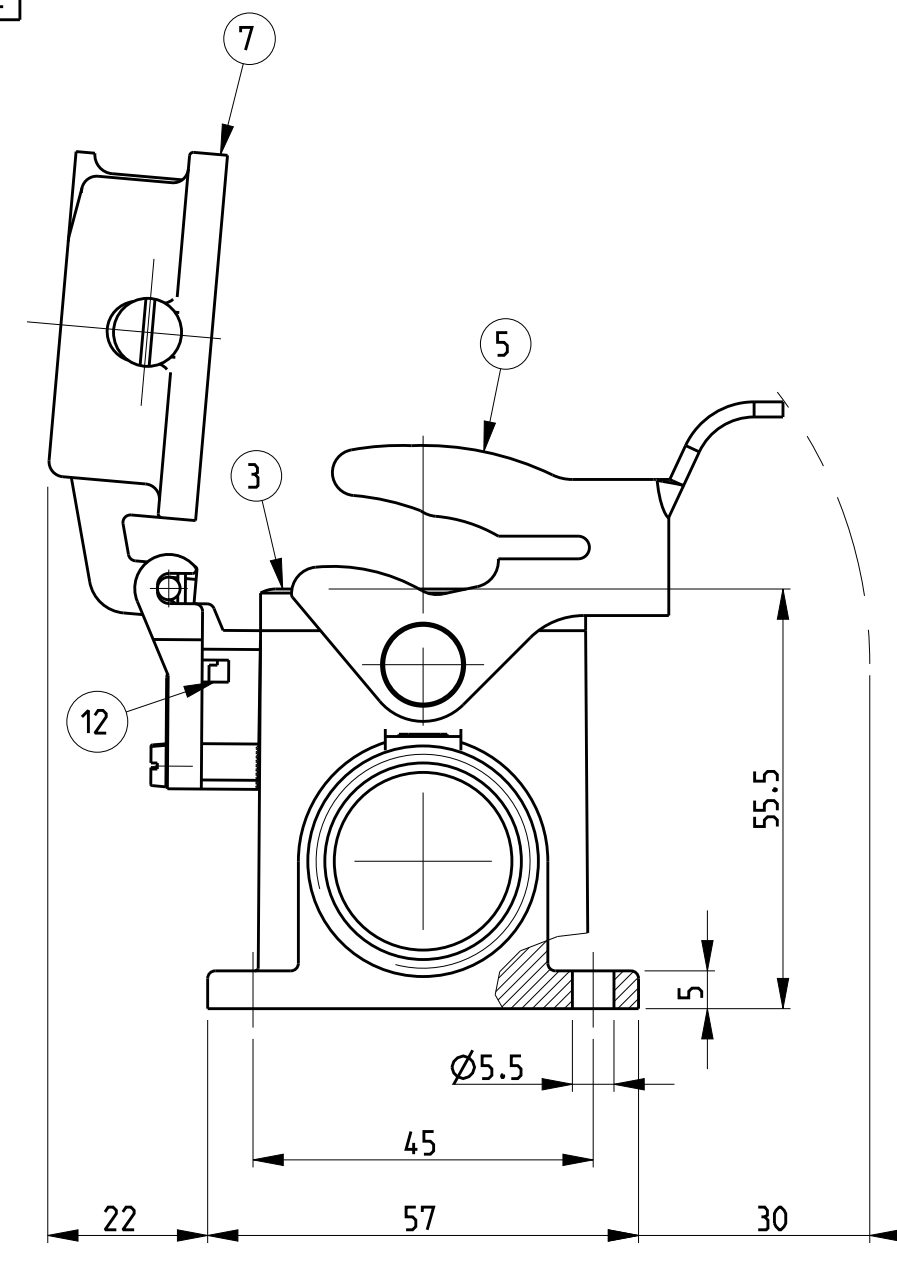
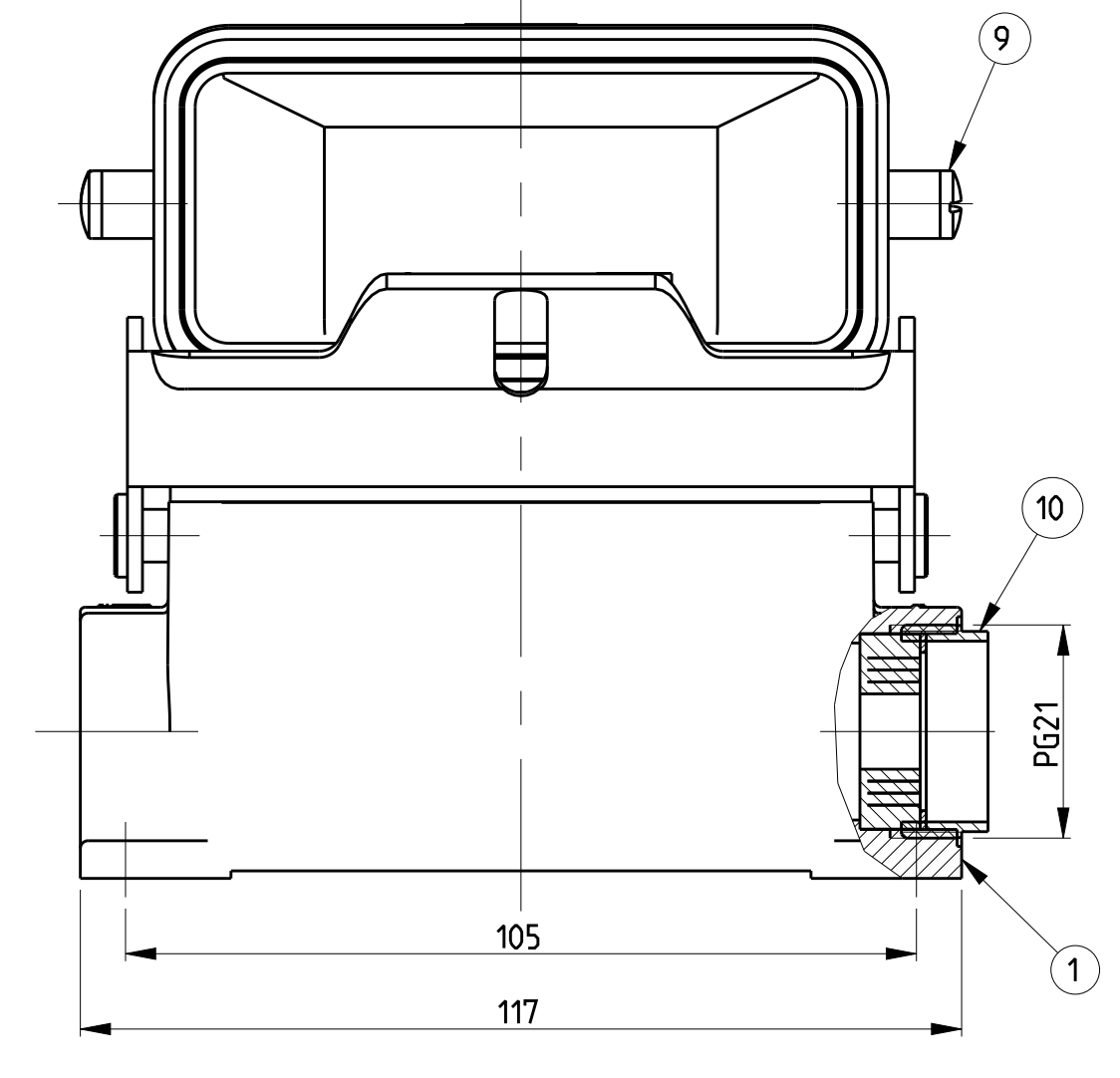
- NOTES.
- 1 Material:Housing:Aluminium Diecasting Alloy
Seals:Neoprene
 - 2 Surface:Varnish
-Aluminium Oxide +Varnish Black
-Grey
 - 3 Varnish on the inside not necessary
 - 4 Packaging
Quantity 5 Pieces in a box



PN 1-2



PN 9-2 OBSOLETE



QTY	DESCRIPTION	MATERIAL	SURFACE	COLOR	ITEM NO	REMARKS
1	Screw, Slotted Cheese Head	Steel	Zinc plated	Blue	12	M3x8
1	Gland Fitting round	Brass	Nickel plated	Blue	11	PG21
1	Cable fitting round	Brass	Nickel plated	Blue	10	PG21
2	LB-Clip Bot!	Steel	Zinc plated	Blue	9	
1	Cover finished product HB-K	Aluminium	Aluminium oxide	Black RAL 9005	8	
1	Cover finished product HB	Aluminium		Grey RAL 7001	7	
1	LB-Side Clip	Stainless steel	Blank	Grey	6	
1	LB-Side Clip	Steel	Zinc plated	Blue	5	
1	VS-Clip bolt	Steel	Zinc plated	Blue	4	
1	Profile seal	Neoprene		Black	3	
1	Surface mounted housing side entry HB-K	Aluminium	Aluminium oxide	Black RAL 9005	2	
1	Surface mounted housing side entry HB	Aluminium		Grey RAL 7001	1	

THIS DRAWING IS A CONTROLLED DOCUMENT. DATE: 20.07.1999
 DIMENSIONS: DATE: 20.07.1999
 DRAWING NO: 114-74.001.74.004
 PRODUCT SPEC: 108-74.001.74.003
 APPLICATION SPEC: 114-74.001.74.004
 WEIGHT: -
 FINISH: -
 CUSTOMER DRAWING
 SCALE: 1:1 SHEET 1 OF 1 REV: A4

STE TE Connectivity
 Surface mounted housing side entry
 HB.16.SGD.1.21
 A0 00779 1102307