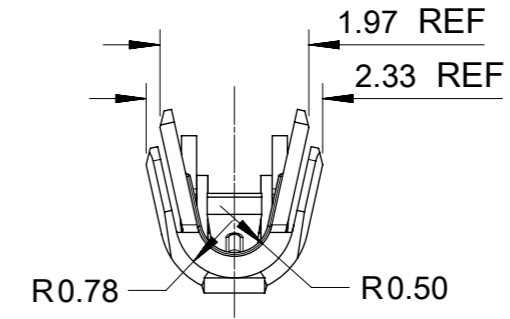
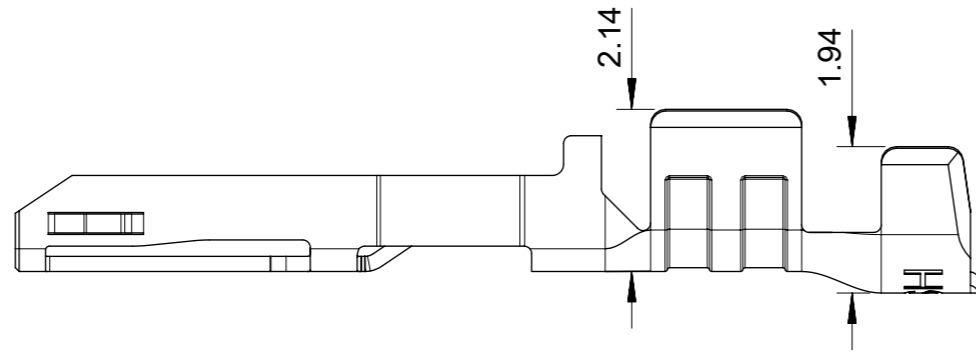


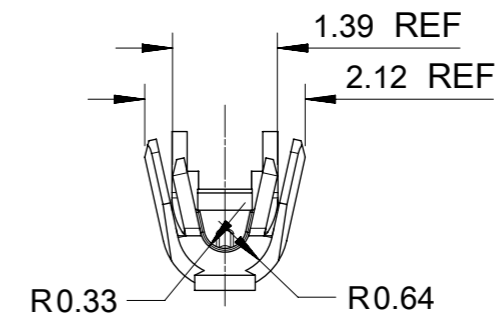
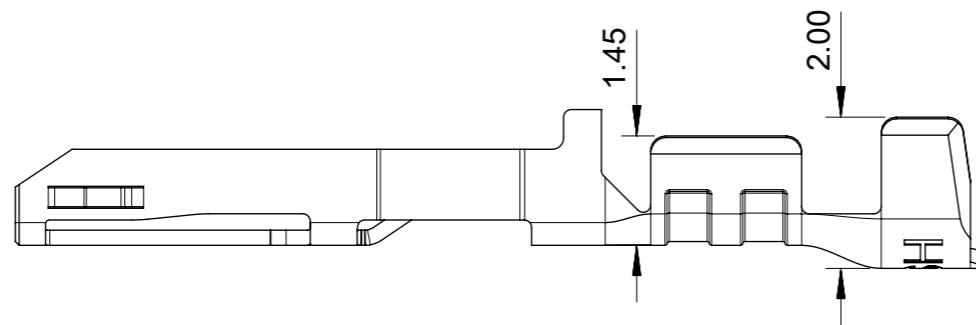
**NOTES:**

1. MATERIAL: HIGH CONDUCTIVITY COPPER ALLOY.
2. PLATING FINISH SEE CHART IN SHEET 3.
3. PRODUCT SPECIFICATION: PS-105300-100.
4. PACKAGE SPECIFICATION: PK-105300-100.
5. THE COMPONENT COMPLIANT TO RoHS DIRECTIVE 2011/65/EU AND ELV DIRECTIVE 2000/53/EC.
6. PRODUCT APPLY TO RECEPTACLE HOUSING OF 105307-\*\*\*\* AND 105308-\*\*\*\*.
7. PARTS CONFORM TO CLASS 'B' REQUIREMENTS OF COSMETIC SPECIFICATION PS-45499-002.
8. APPLICATION SPECIFICATION: AS-105300-100.
9. RECOMMENDED INSULATOR:  
20AWG WIRE, OD 1.60MM MAX.  
24AWG WIRE, OD 1.30MM MAX.

THIS DRAWING CONTAINS INFORMATION THAT IS PROPRIETARY TO MOLEX ELECTRONIC TECHNOLOGIES, LLC AND SHOULD NOT BE USED WITHOUT WRITTEN PERMISSION											
QUALITY SYMBOLS	EC NO: 645054 DRWN: GLLI CHK'D: YXZHENG APPR: YXZHENG	GENERAL TOLERANCES (UNLESS SPECIFIED)		DIMENSION UNITS	SCALE						
		ANGULAR TOL ± 3.0 °		mm	10:1						
FA = 0	G REV	4 PLACES ±		DRWN BY	DATE	CRIMP TERMINAL OF NANO-FIT, GOLD PLATING POWER CONNECTOR					
FE = 0		3 PLACES ±		GLLI	2015/03/18						
FB = 0		2 PLACES ± 0.15		CHK'D BY	DATE	PRODUCT CUSTOMER DRAWING					
FC = 0		1 PLACE ± 0.20		APPR BY	DATE						
FD = 0		0 PLACES ±		AYIN	2015/04/08	SERIES	MATERIAL NUMBER	CUSTOMER			
FE = 0		DRAFT WHERE APPLICABLE MUST REMAIN WITHIN DIMENSIONS		DRAWING SIZE	THIRD ANGLE PROJECTION	105300	SEE SHEET 3	GENERAL MARKET			
FF = 0			A3		DOCUMENT NUMBER		DOC TYPE	DOC PART	SHEET NUMBER		
					SD-105300-100		PSD	000	1 OF 3		

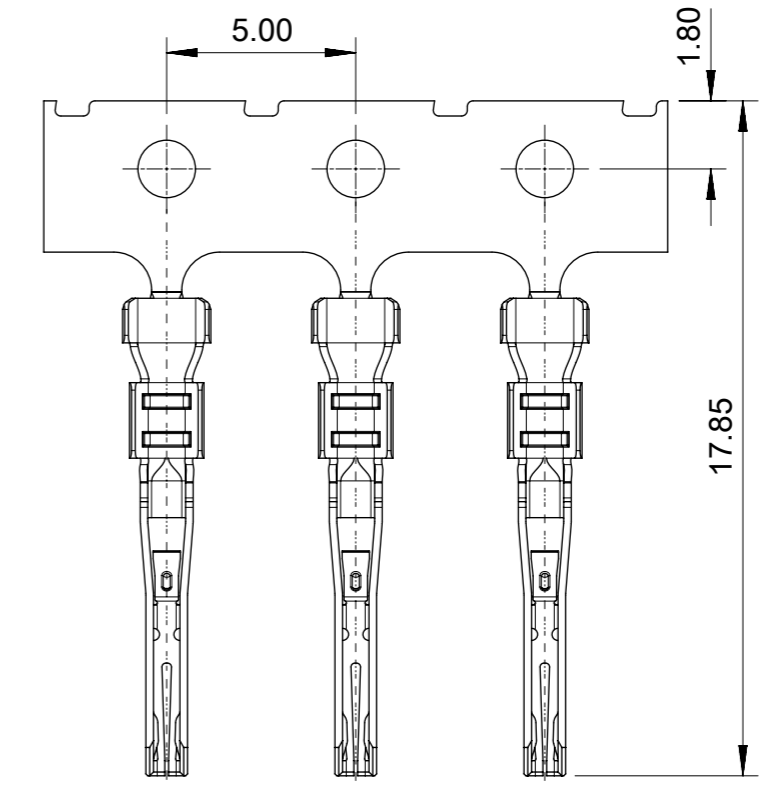
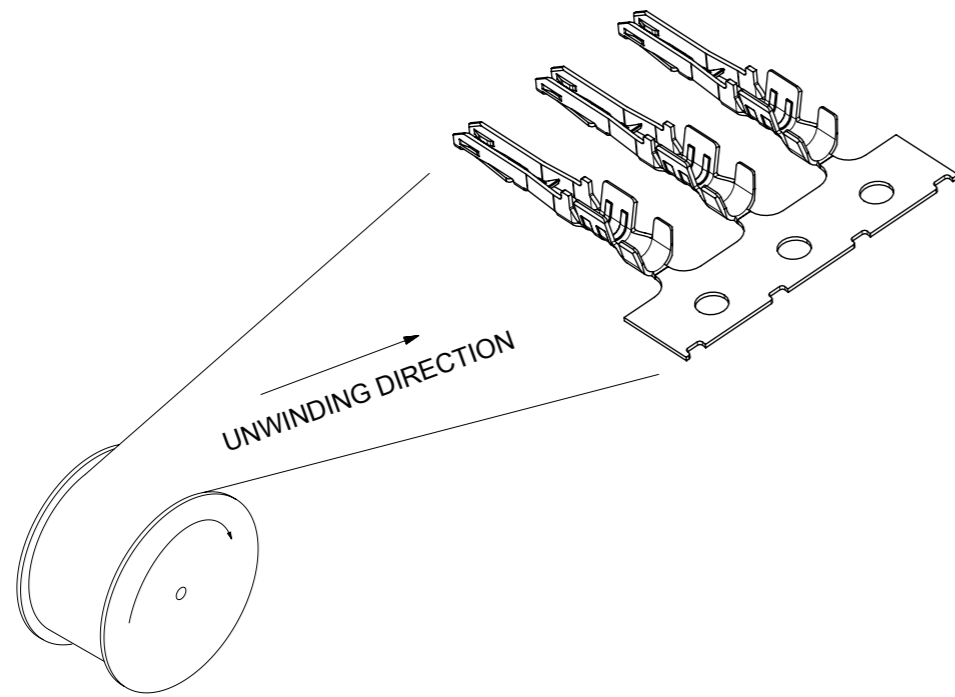


ONLY FOR WIRE OF AWG 20/22



ONLY FOR WIRE OF AWG 24/26

<b>QUALITY SYMBOLS</b> □ = 0 ▽ = 0 ▽ = 0 ▽ = 0 ▽ = 0 ▽ = 0 ▽ = 0 ▽ = 0 ▽ = 0 ▽ = 0 ▽ = 0	THIS DRAWING CONTAINS INFORMATION THAT IS PROPRIETARY TO MOLEX ELECTRONIC TECHNOLOGIES, LLC AND SHOULD NOT BE USED WITHOUT WRITTEN PERMISSION										
	EC NO: 645054 DRWN: GLLI CHK'D: YXZHENG APPR: YXZHENG	2020/09/10 2020/09/11 2020/09/11		GENERAL TOLERANCES (UNLESS SPECIFIED) ANGULAR TOL ± 3.0 °		DIMENSION UNITS: mm SCALE: 10:1					
		4 PLACES ±		DRWN BY: GLLI		DATE: 2015/03/18					
		3 PLACES ±		CHK'D BY:		DATE:		CRIMP TERMINAL OF NANO-FIT, GOLD PLATING POWER CONNECTOR			
		2 PLACES ± 0.15		APPR BY: AYIN		DATE: 2015/04/08					
		1 PLACE ± 0.20		DRAFT WHERE APPLICABLE MUST REMAIN WITHIN DIMENSIONS		DRAWING SIZE: A3		THIRD ANGLE PROJECTION		PRODUCT CUSTOMER DRAWING	
	0 PLACES ±								SERIES: 105300 MATERIAL NUMBER: SEE SHEET 3 CUSTOMER: GENERAL MARKET		
									DOCUMENT NUMBER: SD-105300-100 DOC TYPE: PSD DOC PART: 000 SHEET NUMBER: 2 OF 3		



PART NUMBER (WITH LUBE)	PART NUMBER (WITHOUT LUBE)	PLATING TYPE	WIRE SIZE(AWG)
N/A	105300-1200	B	24/26
105300-1400	105300-1300	C	
N/A	105300-2200	B	20/22
105300-2400	105300-2300	C	

PLATING SPECIFICATION	
B	GOLD PLATING 0.38 MICRONS MINIMUM ON CONTACT AREA, MATTE TIN 2.5 MICRONS MINIMUM ON CRIMP AREA, UNDER NICKEL PLATING 1.25 MICRONS MINIMUM OVERALL.
C	GOLD PLATING 0.76 MICRONS MINIMUM ON CONTACT AREA, MATTE TIN 2.5 MICRONS MINIMUM ON CRIMP AREA, UNDER NICKEL PLATING 1.25 MICRONS MINIMUM OVERALL.

<b>QUALITY SYMBOLS</b> 	THIS DRAWING CONTAINS INFORMATION THAT IS PROPRIETARY TO MOLEX ELECTRONIC TECHNOLOGIES, LLC AND SHOULD NOT BE USED WITHOUT WRITTEN PERMISSION										
	EC NO: 645054 DRWN: GLLI CHK'D: YXZHENG APPR: YXZHENG	2020/09/10	2020/09/11	2020/09/11	GENERAL TOLERANCES (UNLESS SPECIFIED)		DIMENSION UNITS	SCALE			
		ANGULAR TOL ± 3.0 °			mm	5:1					
	4 PLACES ±		3 PLACES ±		DRWN BY: GLLI		DATE: 2015/03/18		CRIMP TERMINAL OF NANO-FIT, GOLD PLATING POWER CONNECTOR		
	2 PLACES ± 0.15		1 PLACE ± 0.20		CHK'D BY:		DATE:				
	0 PLACES ±		DRAFT WHERE APPLICABLE MUST REMAIN WITHIN DIMENSIONS		APPR BY: AYIN		DATE: 2015/04/08		PRODUCT CUSTOMER DRAWING		
	G		REV		DRAWING SIZE: A3		THIRD ANGLE PROJECTION		SERIES: 105300	MATERIAL NUMBER: SEE CHART	CUSTOMER: GENERAL MARKET
	RELEASE STATUS: P1		RELEASE DATE: 2020/09/11 02:07:15		DOCUMENT NUMBER: SD-105300-100		DOC TYPE: PSD	DOC PART: 000	SHEET NUMBER: 3 OF 3		