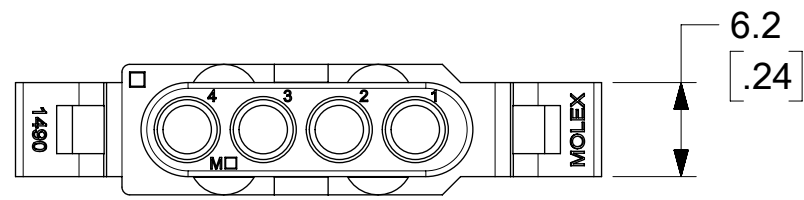
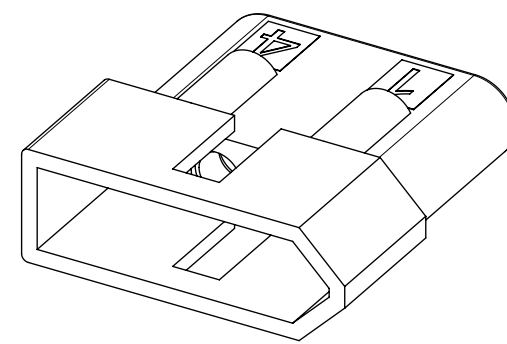
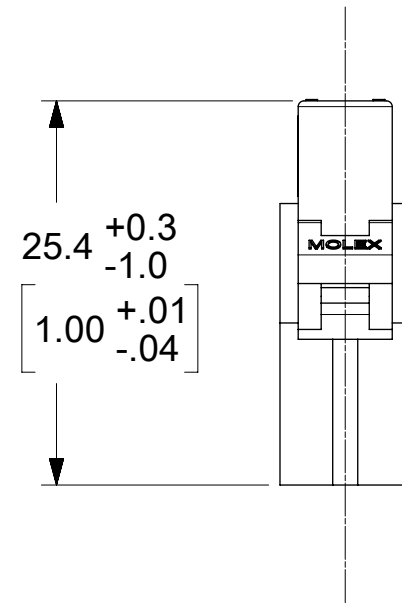
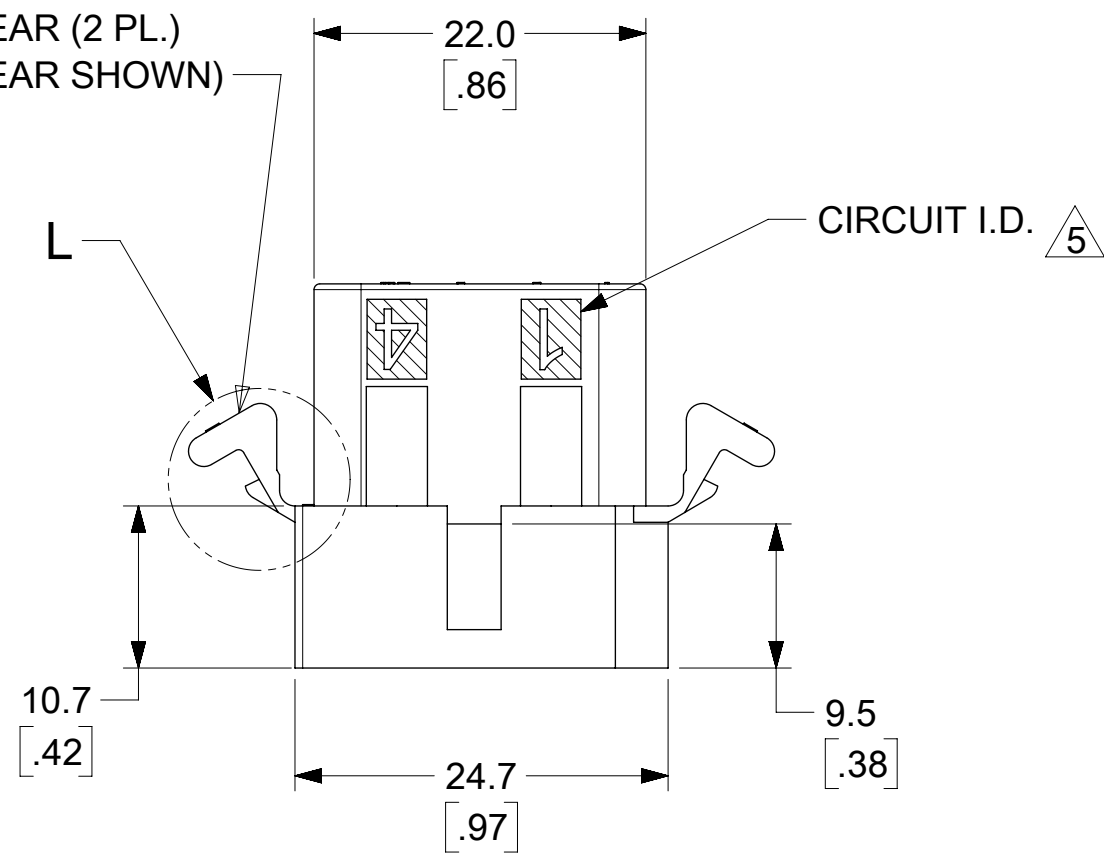


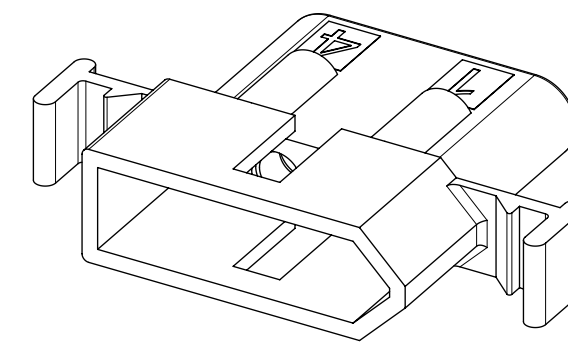
PLUG



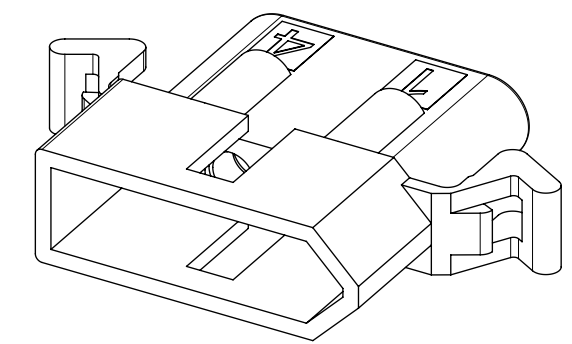
OPTIONAL MOUNTING EAR (2 PL.)
(PREBENT MOUNTING EAR SHOWN)
SEE DETAIL K OR L



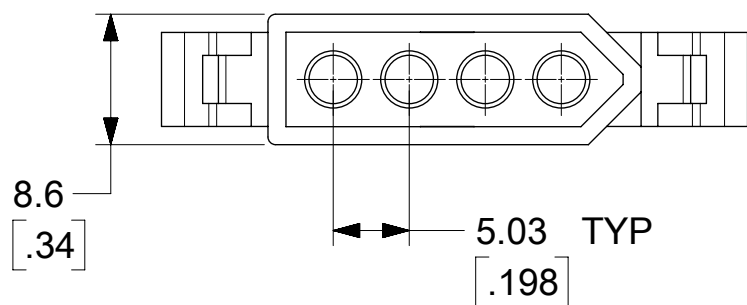
PLUG HOUSING WITHOUT EARS



PLUG HOUSING WITH STANDARD EARS

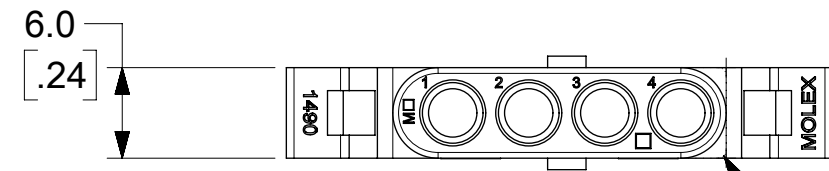


PLUG HOUSING WITH PREBENT EARS



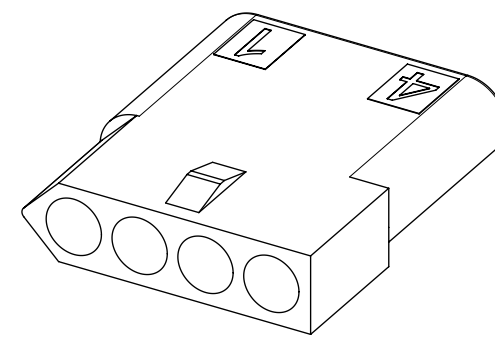
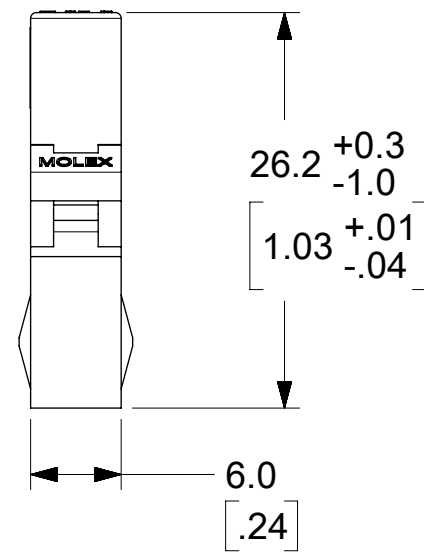
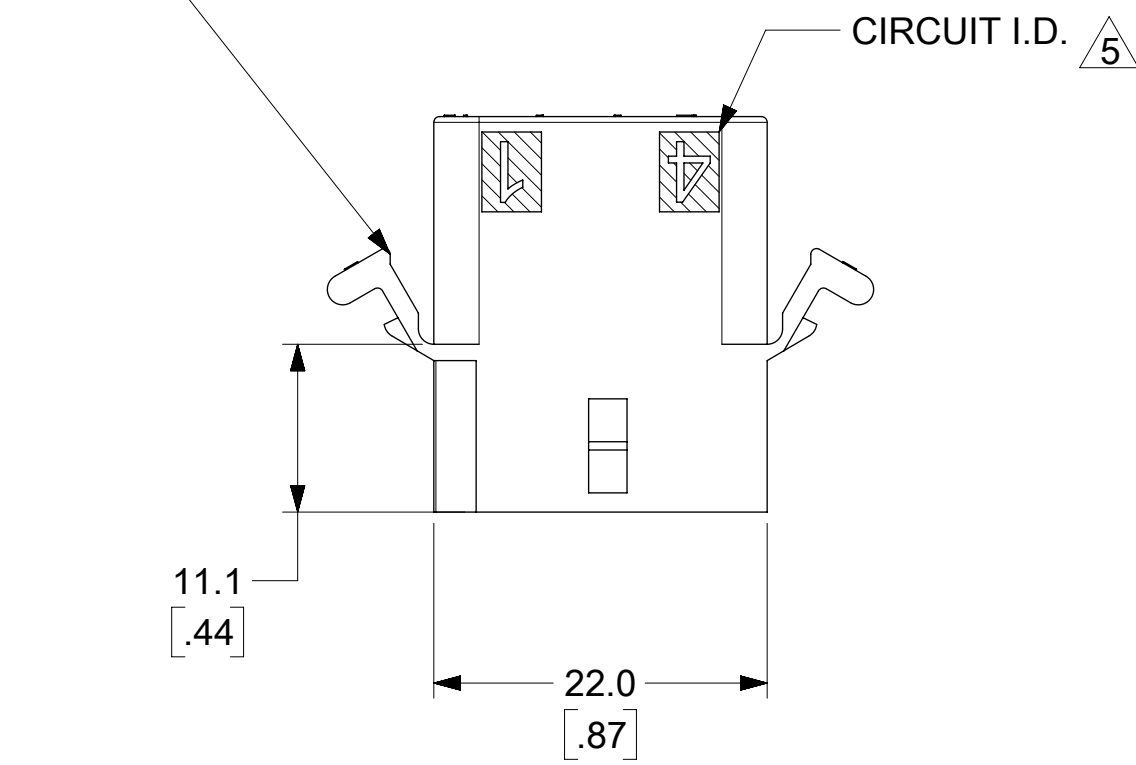
THIS DRAWING CONTAINS INFORMATION THAT IS PROPRIETARY TO MOLEX ELECTRONIC TECHNOLOGIES, LLC AND SHOULD NOT BE USED WITHOUT WRITTEN PERMISSION																
SYMBOLS		DIMENSION UNITS		SCALE		CURRENT REV DESC: ADD CAVITY ID										
∇ = 0	∇ = 0	MM/IN	2:1			molex .093/(2.36) HOUSINGS PLUG AND RECEPTACLE PRODUCT CUSTOMER DRAWING										
∇ = 0	∇ = 0	GENERAL TOLERANCES (UNLESS SPECIFIED)								EC NO: 173421 DRWN: MKIPPER 2018/03/07 CHK'D: JBELL 2018/03/12 APPR: FSMITH 2018/03/16						
S = 0	∇ = 0	4 PLACES	±	MM	INCH	INITIAL REVISION:										
∇ = 0	∇ = 0	3 PLACES	±	±	0.01	DRWN: CSLAFTER 2017/01/17										
∇ = 0	∇ = 0	2 PLACES	±	0.25	±	0.014	APPR: FSMITH 2017/01/29									
∇ = 0	∇ = 0	1 PLACE	±	0.35	±	ANGULAR TOL ± 0.5°										
∇ = 0	∇ = 0	0 PLACES	±			DRAFT WHERE APPLICABLE MUST REMAIN WITHIN DIMENSIONS		THIRD ANGLE PROJECTION	DRAWING	SERIES	MATERIAL NUMBER	CUSTOMER	DOC TYPE	DOC PART	REVISION	SHEET NUMBER
∇ = 0	∇ = 0								C-SIZE	1490	SEE CHART	GENERAL MARKET	PSD	000	A1	1 OF 3

RECEPTACLE

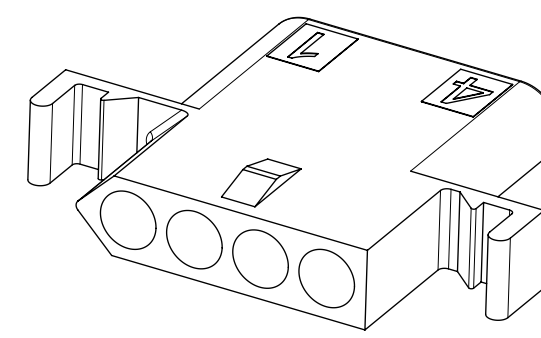


HOUSING MAY HAVE FULL RADIUS OR RADIUSED CORNERS.

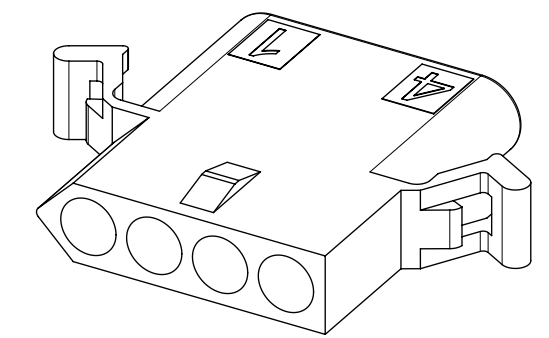
OPTIONAL MOUNTING EAR (2 PL.)
(PREBENT MOUNTING EAR SHOWN)
SEE DETAIL K OR L



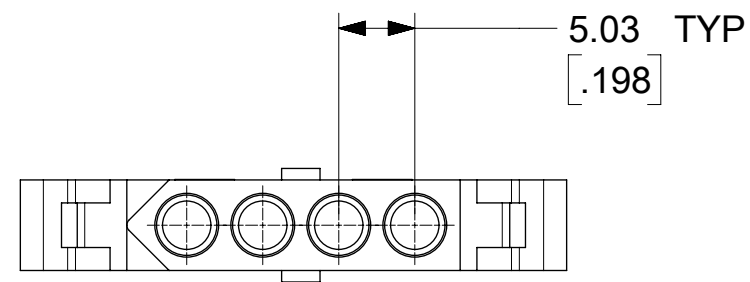
RECEPTACLE HOUSING WITHOUT EARS



RECEPTACLE HOUSING WITH STANDARD EARS



RECEPTACLE HOUSING WITH PREBENT EARS



SYMBOLS	THIS DRAWING CONTAINS INFORMATION THAT IS PROPRIETARY TO MOLEX ELECTRONIC TECHNOLOGIES, LLC AND SHOULD NOT BE USED WITHOUT WRITTEN PERMISSION			
	DIMENSION UNITS	SCALE		CURRENT REV DESC: ADD CAVITY ID
∇ = 0	MM/IN	2:1		molex .093/(2.36) HOUSINGS PLUG AND RECEPTACLE PRODUCT CUSTOMER DRAWING
∇ = 0	GENERAL TOLERANCES (UNLESS SPECIFIED)			
∇ = 0		MM	INCH	
∇ = 0	4 PLACES	±	±	
∇ = 0	3 PLACES	±	± 0.01	EC NO: 173421 DRWN: MKIPPER 2018/03/07 CHK'D: JBELL 2018/03/12 APPR: FSMITH 2018/03/16
∇ = 0	2 PLACES	± 0.25	± 0.014	INITIAL REVISION:
∇ = 0	1 PLACE	± 0.35	±	DRWN: CSLAFTER 2017/01/17
∇ = 0	0 PLACES	±	±	APPR: FSMITH 2017/01/29
∇ = 0	ANGULAR TOL	± 0.5 °		DOCUMENT NUMBER: 14900000-SD DOC TYPE: PSD DOC PART: 000 REVISION: A1
∇ = 0	DRAFT WHERE APPLICABLE MUST REMAIN WITHIN DIMENSIONS	THIRD ANGLE PROJECTION	DRAWING: C-SIZE	SERIES: 1490
				MATERIAL NUMBER: SEE CHART CUSTOMER: GENERAL MARKET SHEET NUMBER: 2 OF 3

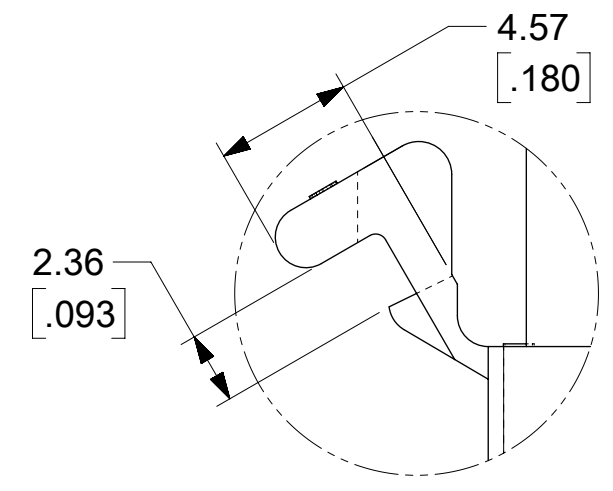
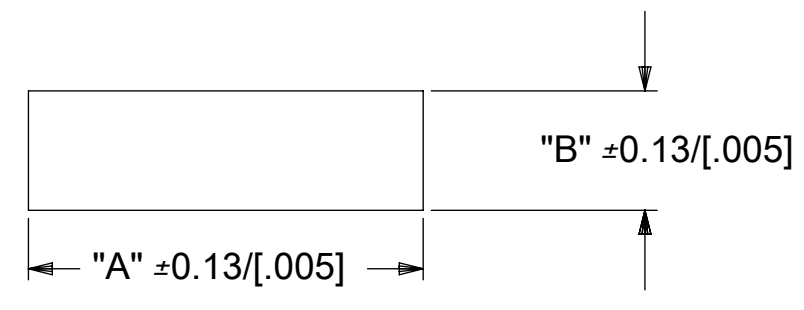
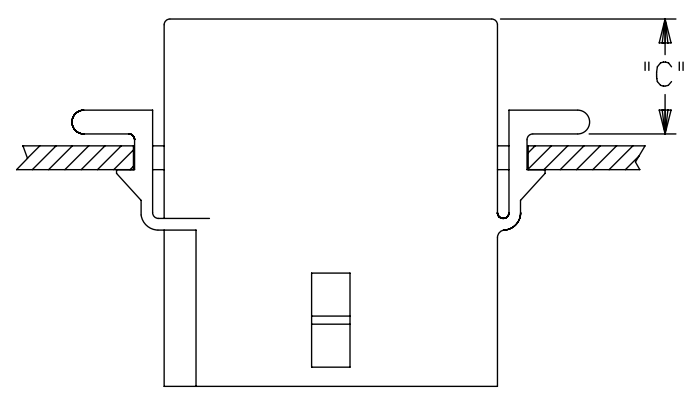
PLUG		RECEPTACLE	
PART NO.	ENG. NO.	PART NO.	ENG. NO.
03-09-2041	1490-P	03-09-1041	1490-R
03-09-2042	1490-P1	03-09-1042	1490-R1
46999-0811	1490-P2	03-09-1043	1490-R2

LEGEND

1490 - ***
 P = PLUG
 R = RECEPTACLE

BLANK = WITH STANDARD EARS
 1 = WITHOUT EARS
 2 = WITH PREBENT EARS, PER DETAIL L

COLOR: BLANK = NATURAL COLOR
 AM = AMBER BK = BLACK BU = BLUE
 BN = BROWN GY = GRAY GN = GREEN
 OR = ORANGE RD = RED YW = YELLOW

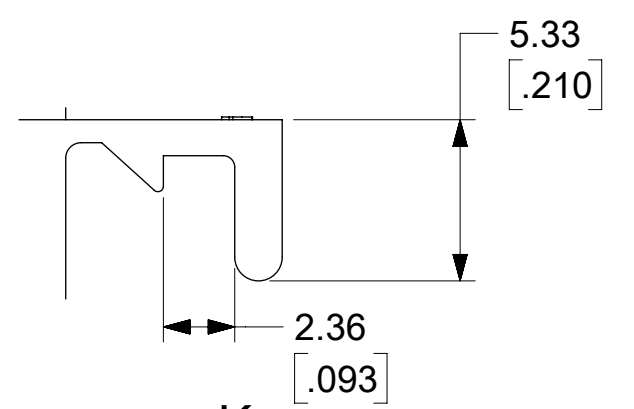
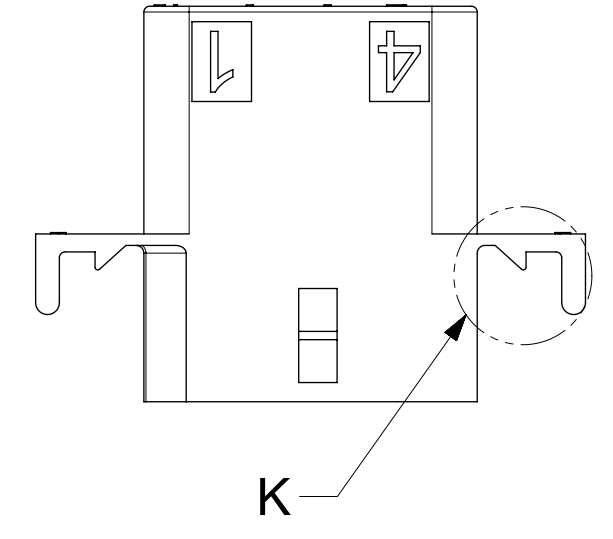


DETAIL L
 SCALE 4:1
 2.36/[.093] PREBENT MOUNTING EAR

HOUSING	DIMENSION "A"	DIMENSION "B"	DIMENSION "C"
PLUG	28.73/[1.131]	9.52/[.375]	9.1/[.36]
RECEPTACLE	26.36/[1.038]	7.92/[.312]	9.4/[.37]

NOTES:

- MATERIAL: NYLON 6/6 94V-2, COLOR: SEE LEGEND
- FINISH: NOT APPLICABLE
- PRODUCT SPECIFICATION: PS-43660-9999
- PACKAGING SPECIFICATION: PK-1490-001
- ETCHED CIRCUIT I.D. NUMBERS ON HOUSING SIDE MAY OR MAY NOT BE PRESENT.
- PARTS CONFORM TO CLASS B REQUIREMENTS OF COSMETIC SPECIFICATION PS-45499-002.
- TEXT ON PART IS FOR REFERENCE ONLY. TEXT AND TEXT LOCATION MAY VARY DEPENDING ON PART NUMBER AND/OR TOOLING.
- THIS DRAWING REPLACES SD-1490-*



DETAIL K
 SCALE 4:1
 2.36/(.093) STANDARD MOUNTING EAR

SYMBOLS	THIS DRAWING CONTAINS INFORMATION THAT IS PROPRIETARY TO MOLEX ELECTRONIC TECHNOLOGIES, LLC AND SHOULD NOT BE USED WITHOUT WRITTEN PERMISSION									
	DIMENSION UNITS		SCALE		CURRENT REV DESC: ADD CAVITY ID					
▽ = 0	MM/IN		2:1		molex .093/(2.36) HOUSINGS PLUG AND RECEPTACLE PRODUCT CUSTOMER DRAWING					
▽ = 0	GENERAL TOLERANCES (UNLESS SPECIFIED)									
▽ = 0			MM	INCH	EC NO: 173421		2018/03/07		DOC TYPE DOC PART REVISION	
▽ = 0	4 PLACES ±		±	±	DRWN: MKIPPER		2018/03/12		14900000-SD	
▽ = 0	3 PLACES ±		±	± 0.01	CHK'D: JBELL		2018/03/16		PSD 000 A1	
▽ = 0	2 PLACES ±		0.25	± 0.014	APPR: FSMITH		INITIAL REVISION:		DOCUMENT NUMBER	
▽ = 0	1 PLACE ±		0.35	±	DRWN: CSLAFTER		2017/01/17		MATERIAL NUMBER	
▽ = 0	0 PLACES ±		±	±	APPR: FSMITH		2017/01/29		CUSTOMER	
▽ = 0	ANGULAR TOL ±		0.5 °		THIRD ANGLE PROJECTION		DRAWING		SHEET NUMBER	
▽ = 0	DRAFT WHERE APPLICABLE MUST REMAIN WITHIN DIMENSIONS				C-SIZE		1490		SEE CHART	