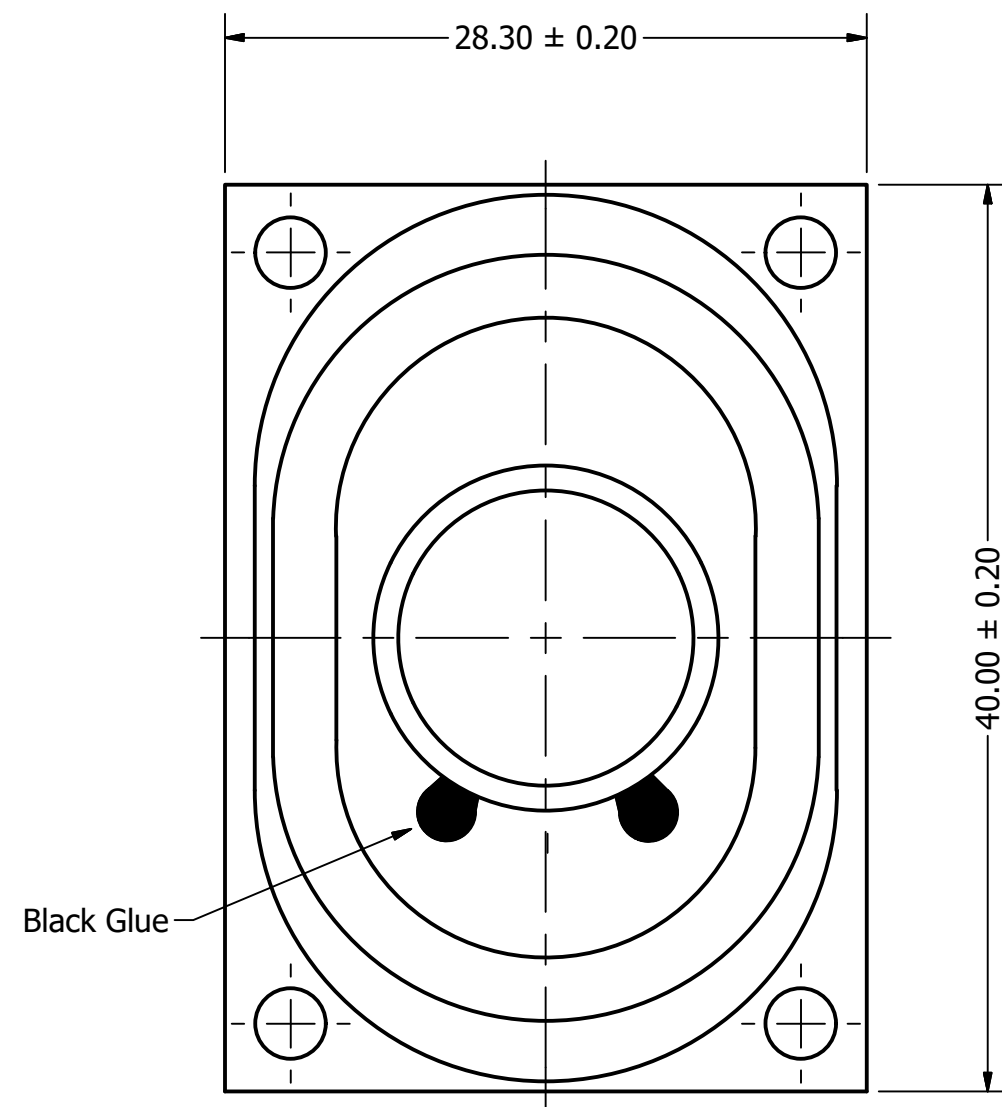
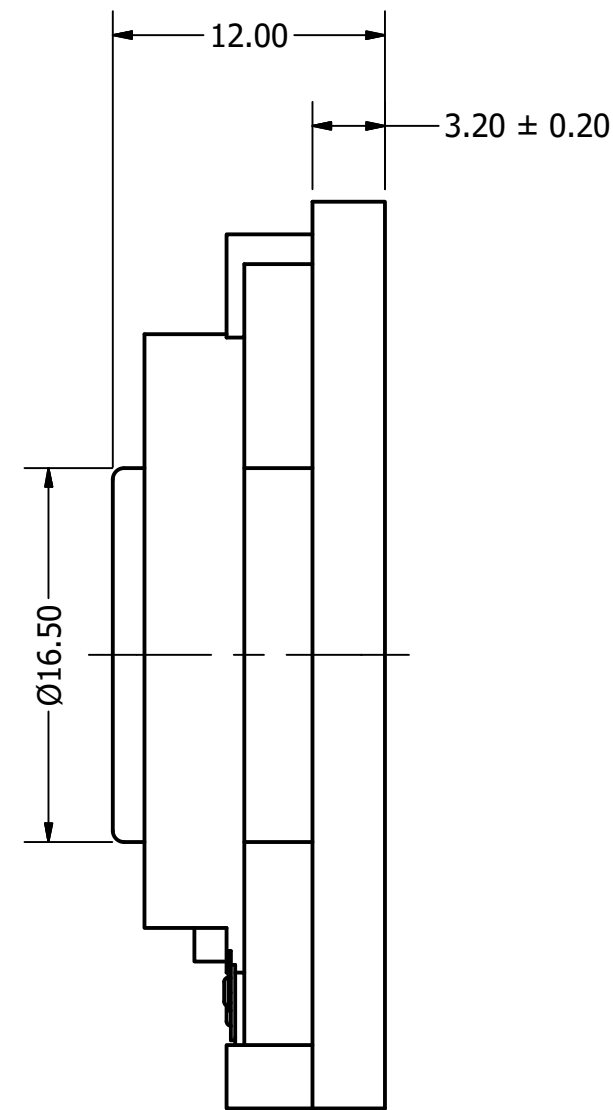


Part Number:	SC400308-1	
DESCRIPTION:	Dynamic Speaker	
DRAWN	CJ	3/12/2016
CHECKED	P.D	3/14/2016
APPROVED	J.S	3/14/2016
This document contains data proprietary to DB Unlimited. Any use or reproduction, in any form, without prior written permission of DB Unlimited is prohibited. All terms and conditions can be found at www.dbunlimitedco.com		

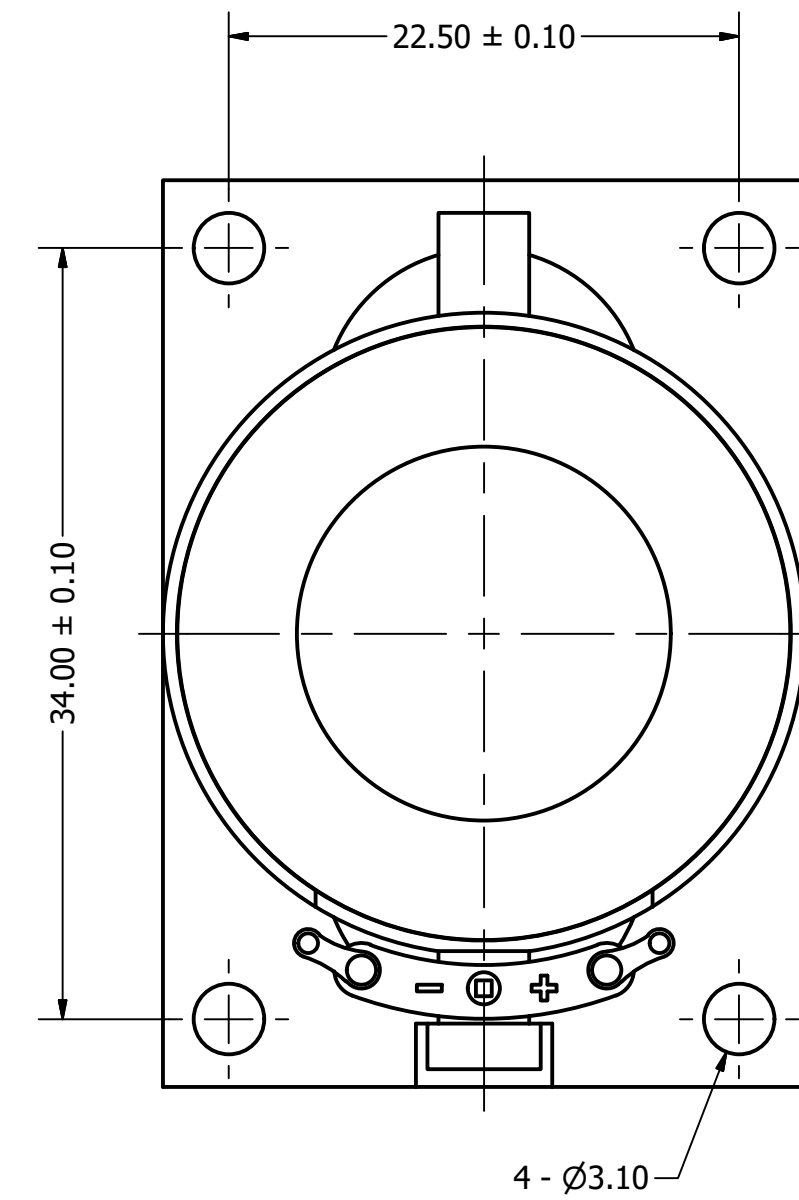
Top View



Side View



Bottom View



Items	Specifications	Conditions	REVISION HISTORY			
Sound Pressure Level	97	dB (@ 10cm)	REV	DESCRIPTION	DATE	APPROVED
Resonant Frequency	380	Hz	1	Released from Engineering	2/5/2014	J.S.
Frequency Range	200 ~ 20,000	Hz	2	Updated to new template	3/14/2016	J.S.
Nominal Power	2	W		Corrected SPL and Max. Power	5/22/2017	C.E
Max. Power	4	W	NOTES			
Impedance	8	Ω	1) All dimensions are in mm unless otherwise noted			
Cone Material	Cloth		2) All tolerances are ± 0.5 mm unless otherwise noted			
Mount Type	Frame Mount		3) All parts meet RoHS			
Storage Temperature	-20 ~ +60	°C	4) Subject to change or redrawn without notice			
Operating Temperature	-20 ~ +60	°C				
Weight	7.6	g				