

1

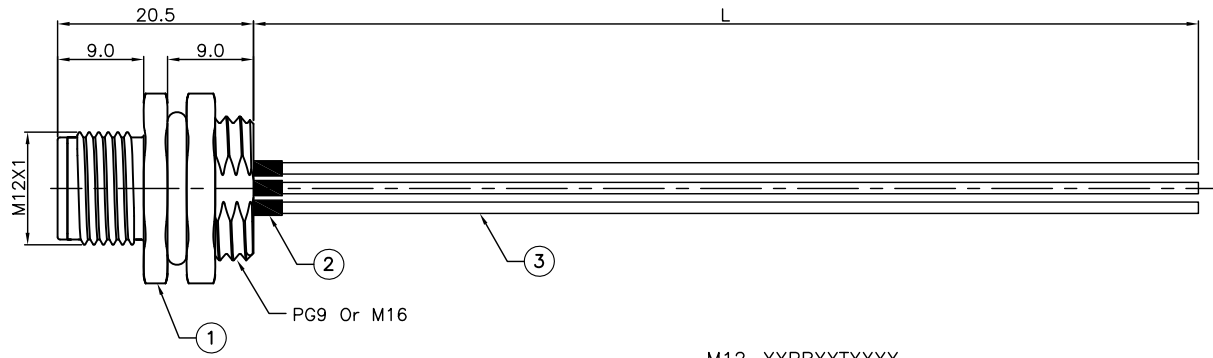
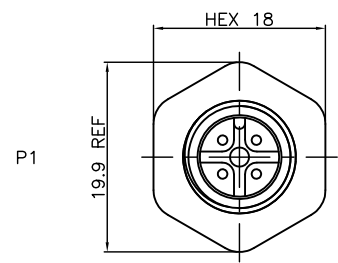
2

3

4

5

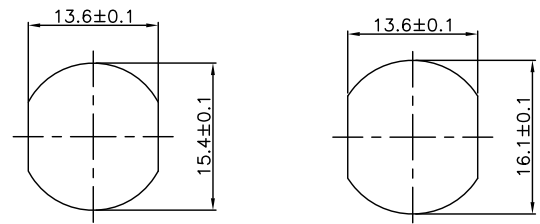
RoHS Compliant



M12-XXPRXXTXXXX

- Cable Length
- 0050:50mm;0100:100mm
- 0150:150mm;0200:200mm
- 0250:250mm;0300:300mm
- 0400:400mm;0500:500mm
- 1:PG9 2:M16
- A:A Coding D:D Coding
- R:Rear Fastened
- P:Plug
- No.of Contacts

A Coding							
	2Pin	3Pin	4Pin	5Pin	6Pin	7Pin	
A Coding							
	8Pin	9Pin	10Pin	11Pin	12Pin		
	D Coding						
		2Pin	3Pin	4Pin	5Pin		



PG9 Recommended Panel CUT-Out Thickness:4.0mm
M16 Recommended Panel CUT-Out Thickness:4.0mm

ITEM	PART NO.	DESCRIPTION	Q'TY
1	M12-XXP-RX-PMX	M12 Plug Rear Fastened Solder Type	1
2	825-H.S-XX-BK	Heat Shrink Tube Color:Black	A/R
3	809-TPEXXTSW-XX	TPE XXAWG Wire Color:XX	A/R

F				DRAWN:	Andrew
E				CHECKED:	Bill He
D					
C				APPROVAL:	Bill He
B					
A	01-Jul-2022		Andrew		
REV	DATE	FILE	BY		

GENERAL TOLERANCE:
 .X=±0.50 L≤300=±5
 .XX=±0.30 L>300=±10

UNIT: MM
 SCALE: 1:1
 SHEET: 1/2
 PROJECTION:

OST
 ON-SHORE TECHNOLOGY, INC.

DESCRIPTION:
 M12 PLUG REAR FASTENED WIRE HARNESS

PART NO:
 M12-XXPRXXTXXXX

A
B
C
D

1

2

3

4

5

RoHS Compliant

2P PIN OUT:

P1	
1	Black
3	Brown

ITEM	PART NO.	DESCRIPTION	Q'TY
1	M12-02P-RX-PMX	M12 2Pin Plug Rear Fastened Solder Type	1
2	825-H.S-XX-BK	Heat Shrink Tube Color:Black	A/R
3	809-TPE22TSW-XX	TPE 22AWG Wire Color:XX	A/R

3P PIN OUT:

P1	
1	Black
3	Brown
4	Red

ITEM	PART NO.	DESCRIPTION	Q'TY
1	M12-03P-RX-PMX	M12 3Pin Plug Rear Fastened Solder Type	1
2	825-H.S-XX-BK	Heat Shrink Tube Color:Black	A/R
3	809-TPE22TSW-XX	TPE 22AWG Wire Color:XX	A/R

4P PIN OUT:

P1	
1	Black
2	White
3	Brown
4	Red

ITEM	PART NO.	DESCRIPTION	Q'TY
1	M12-04P-RX-PMX	M12 4Pin Plug Rear Fastened Solder Type	1
2	825-H.S-XX-BK	Heat Shrink Tube Color:Black	A/R
3	809-TPE22TSW-XX	TPE 22AWG Wire Color:XX	A/R

5P PIN OUT:

P1	
1	Black
2	White
3	Brown
4	Red
5	Yellow

ITEM	PART NO.	DESCRIPTION	Q'TY
1	M12-05P-RX-PMX	M12 5Pin Plug Rear Fastened Solder Type	1
2	825-H.S-XX-BK	Heat Shrink Tube Color:Black	A/R
3	809-TPE22TSW-XX	TPE 22AWG Wire Color:XX	A/R

6P PIN OUT:

P1	
1	Black
2	White
3	Brown
4	Red
5	Yellow
6	Blue

ITEM	PART NO.	DESCRIPTION	Q'TY
1	M12-06P-RX-PMX	M12 6Pin Plug Rear Fastened Solder Type	1
2	825-H.S-XX-BK	Heat Shrink Tube Color:Black	A/R
3	809-TPE24TSW-XX	TPE 24AWG Wire Color:XX	A/R

7P PIN OUT:

P1	
1	Black
2	White
3	Brown
4	Red
5	Yellow
6	Blue
7	Orange

ITEM	PART NO.	DESCRIPTION	Q'TY
1	M12-07P-RX-PMX	M12 7Pin Plug Rear Fastened Solder Type	1
2	825-H.S-XX-BK	Heat Shrink Tube Color:Black	A/R
3	809-TPE24TSW-XX	TPE 24AWG Wire Color:XX	A/R

8P PIN OUT:

P1	
1	Black
2	White
3	Brown
4	Red
5	Yellow
6	Blue
7	Orange
8	Green

ITEM	PART NO.	DESCRIPTION	Q'TY
1	M12-08P-RX-PMX	M12 8Pin Plug Rear Fastened Solder Type	1
2	825-H.S-XX-BK	Heat Shrink Tube Color:Black	A/R
3	809-TPE24TSW-XX	TPE 24AWG Wire Color:XX	A/R

9P PIN OUT:

P1	
1	Black
2	White
3	Brown
4	Red
5	Yellow
6	Blue
7	Orange
8	Green
9	Purple

ITEM	PART NO.	DESCRIPTION	Q'TY
1	M12-09P-RX-PMX	M12 9Pin Plug Rear Fastened Solder Type	1
2	825-H.S-XX-BK	Heat Shrink Tube Color:Black	A/R
3	809-TPE26TSW-XX	TPE 26AWG Wire Color:XX	A/R

10P PIN OUT:

P1	
1	Black
2	White
3	Brown
4	Red
5	Yellow
6	Blue
7	Orange
8	Green
9	Purple
10	Grey

ITEM	PART NO.	DESCRIPTION	Q'TY
1	M12-10P-RX-PMX	M12 10Pin Plug Rear Fastened Solder Type	1
2	825-H.S-XX-BK	Heat Shrink Tube Color:Black	A/R
3	809-TPE26TSW-XX	TPE 26AWG Wire Color:XX	A/R

11P PIN OUT:


P1	
1	Black
2	White
3	Brown
4	Red
5	Yellow
6	Blue
7	Orange
8	Green
9	Purple
10	Grey
11	Pink

ITEM	PART NO.	DESCRIPTION	Q'TY
1	M12-11P-RX-PMX	M12 11Pin Plug Rear Fastened Solder Type	1
2	825-H.S-XX-BK	Heat Shrink Tube Color:Black	A/R
3	809-TPE26TSW-XX	TPE 26AWG Wire Color:XX	A/R

12P PIN OUT:

P1	
1	Black
2	White
3	Brown
4	Red
5	Yellow
6	Blue
7	Orange
8	Green
9	Purple
10	Grey
11	Pink
12	Light Green

ITEM	PART NO.	DESCRIPTION	Q'TY
1	M12-12P-RX-PMX	M12 12Pin Plug Rear Fastened Solder Type	1
2	825-H.S-XX-BK	Heat Shrink Tube Color:Black	A/R
3	809-TPE26TSW-XX	TPE 26AWG Wire Color:XX	A/R

F				DRAWN: Andrew	GENERAL TOLERANCE:		
E					CHECKED: Bill He	.X=±0.50	
D				APPROVAL: Bill He		.XX=±0.30	L>300=±10
C					A	UNIT: MM	DESCRIPTION: M12 PLUG REAR FASTENED WIRE HARNESS
B				01-Jul-2022		SCALE: 1:1	
A	01-Jul-2022		Andrew		REV	SHEET: 2/2	D
DATE	FILE	BY		PROJECTION:		