



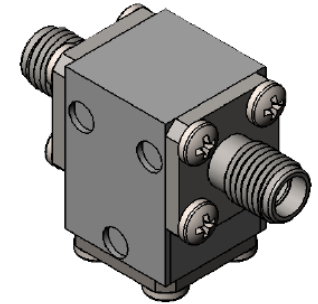
Part Number: D3I1720

Electrical Specifications

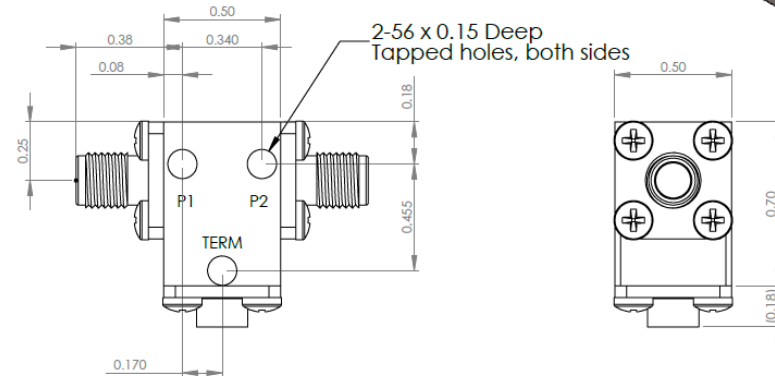
Frequency Range (GHz):	17.0	-	20.0
Isolation (dB):	22	MIN	
Insertion Loss (dB):	0.4	MAX	
VSWR:	1.2:1	MIN	
Forward Power (W):	10	AVG	
	50	PK	
Reflective Power (W):	2	AVG	

Mechanical/Environmental Specifications

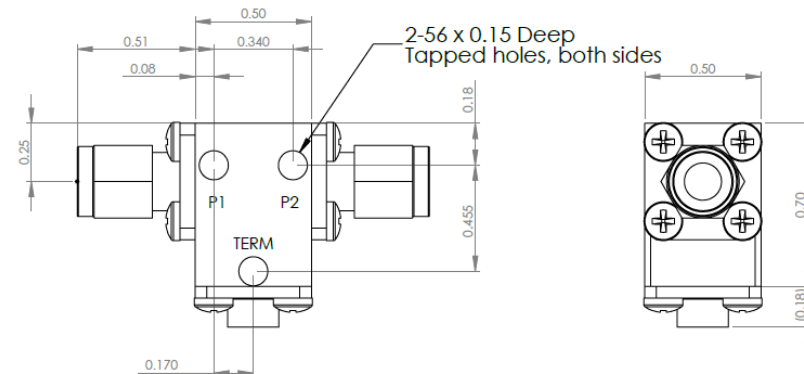
Connector Type:	SMA
Connector Body:	Passivated stainless steel
Connector Pin:	Gold plated copper
Load Body:	Brass
Magnetic Shunt:	Nickel plated CRS
Operational Temp:	-20°C to +65°C
Weight (oz)	0.9 MAX



D3I1720 Dimensions



D3I1720-3 Dimensions



Dimensions are in inches
Tolerance

XX ±0.03
XXX ±0.010

Type of Device	PN Suffix	Connector Configuration Input / Output	PN Example
Single and Dual Junction Isolator, 2-Port Device	N/A	Female / Female	D3I1720
	-1	Male / Female	D3I1720-1
	-2	Female / Male	D3I1720-2
	-3	Male / Male	D3I1720-3



MEASURED DATA

Part Number: D3I1720, +25°C

