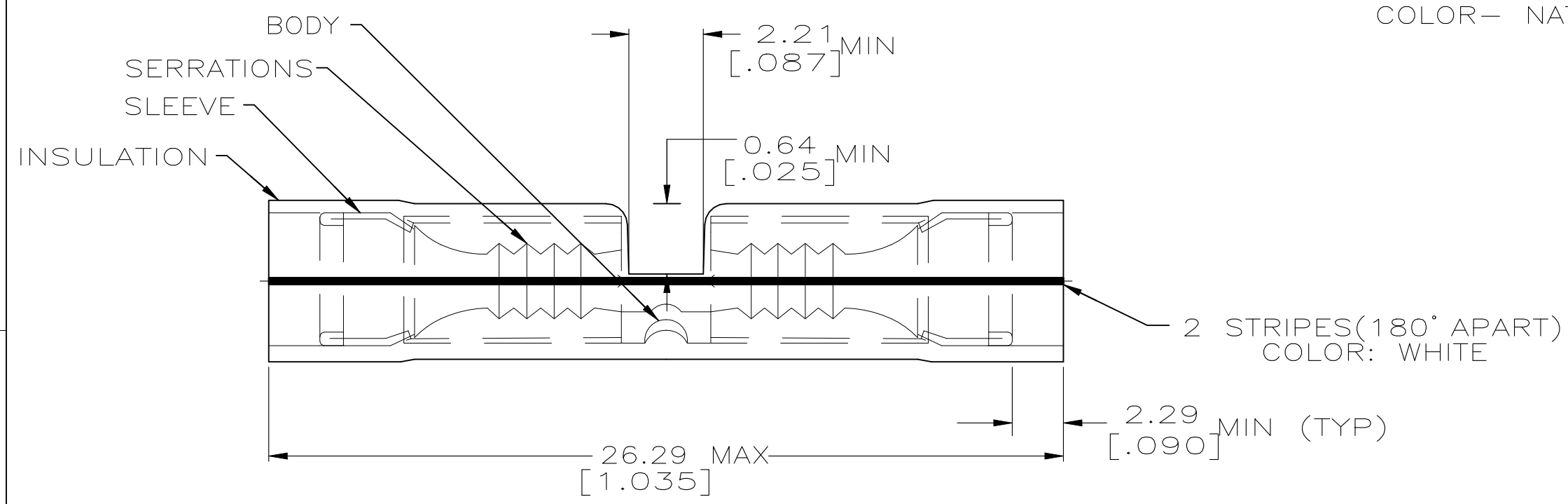


REVISIONS				
P	LTR	DESCRIPTION	DATE	APVD
	K2	REV PER ECN-22-156403	03JUN2022	RK CSD

AMP
WIRE RANGE

24-20 AWG
STRANDED

- 1 WIRE INSULATION DIA 1.02 [.040] TO 2.54 [.100].
- 2 FINISH: BODY AND SLEEVE: TIN/LEAD (93-7) PLATE PER ASTM B545. (3% MIN LEAD CONTENT)
- 3 MATERIAL: BODY AND SLEEVE, COPPER PER ASTM B152
INSULATION: PVF²
COLOR- NATURAL



-	2500	ON TAPE	53547-2
M7928/6-2 CLASS 1	1000	LOOSE PIECE	53547-1
MILITARY PART NUMBER & CLASS PER MIL-T-7928	QTY	PACKAGE TYPE	PART NO.

AMP INCORPORATED CUSTOMER SERVICE SYSTEMS		MAX RECOMMENDED OPERATING TEMPERATURE: 150°C
FOR ADDITIONAL PRODUCT INFORMATION OR COPIES OF DRAWINGS AND TECHNICAL DOCUMENTS	PRODUCT INFORMATION CENTER 1-800-522-6752	VOLTAGE RATING: -
FOR APPLICATION TOOLING INFORMATION	TOOLING ASSISTANCE CENTER 1-800-722-1111	CIRCULAR MIL AREA: 0.16-0.65mm ² [202-1,290] STRANDED
FOR ORDER ENTRY	1-800-526-5142	THIS DRAWING IS A CONTROLLED DOCUMENT FOR AMP INCORPORATED. IT IS SUBJECT TO CHANGE AND THE CONTROLLING ENGINEERING ORGANIZATION SHOULD BE CONTACTED FOR THE LATEST REVISION.

THIS DRAWING IS A CONTROLLED DOCUMENT.	
DIMENSIONS: MM [INCHES]	TOLERANCES UNLESS OTHERWISE SPECIFIED:
	0 PLC ± -
	1 PLC ± -
	2 PLC ± 0.20 [.008]
	3 PLC ± -
	4 PLC ± -
	ANGLES ± -
MATERIAL	FINISH
- 3	- 2

DWN S.S. GOULDEN 9-28-93	STE TE Connectivity	NAME	
CHK R. HERSEY 9-28-93		SPLICE, BUTT, PVF ² , P.I.D.G. WIRE SIZE: 24-20 AWG	
APVD M ELLIS 9-28-93		PRODUCT SPEC 108-11023	
		APPLICATION SPEC	
WEIGHT -	SIZE A3	CAGE CODE 00779	DRAWING NO C-53547
CUSTOMER DRAWING	SCALE 1:1	SHEET 1 OF 1	REV K2